

THE INFORMATION CONTAINED HEREIN IS CONSIDERED "PROPRIETARY" TO BEL FUSE INC. AND SHALL NOT BE COPIED, REPRODUCED OR DISCLOSED WITHOUT THE WRITTEN APPROVAL OF BEL FUSE INC.

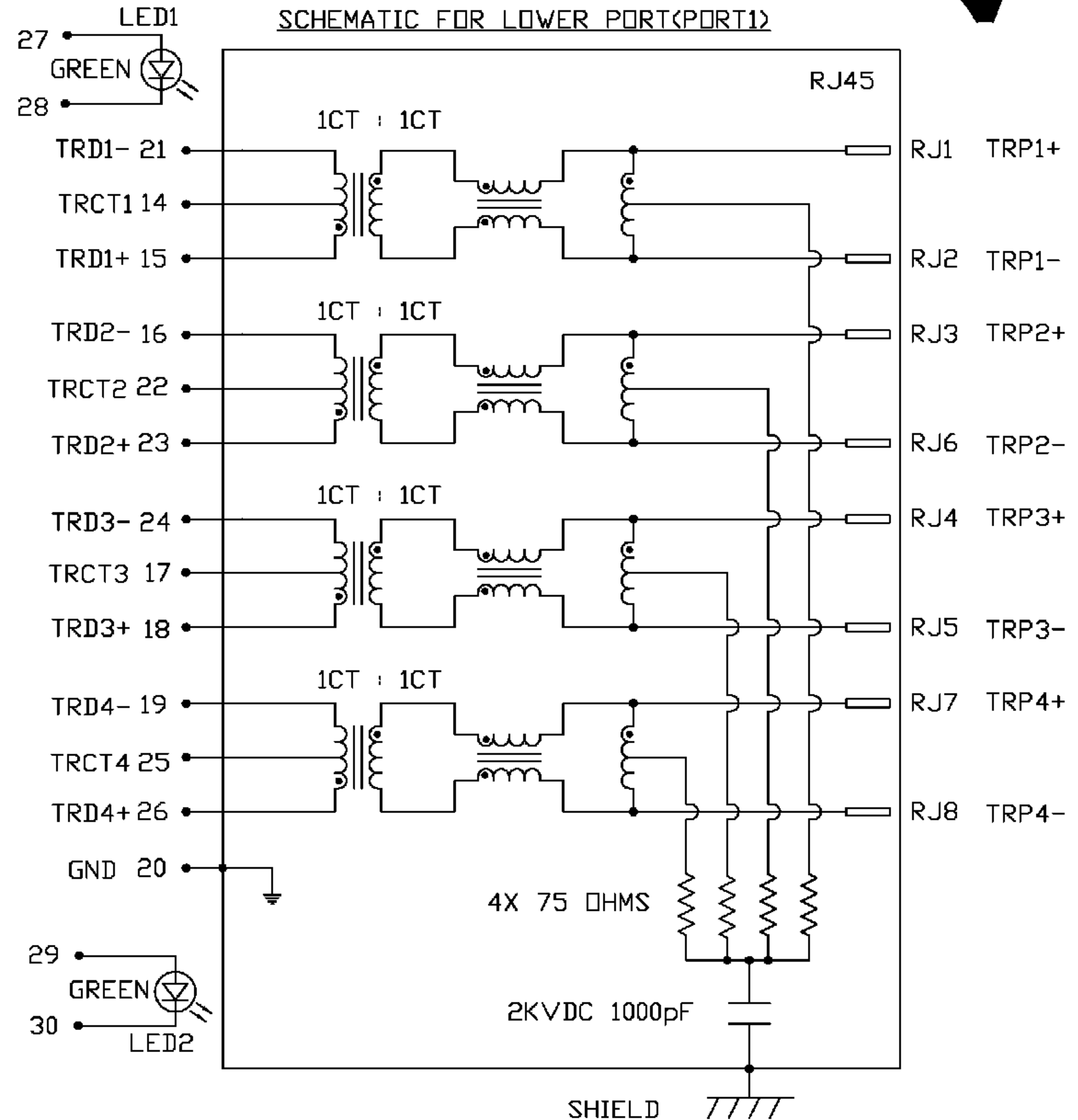
LED1 POLARITY			LED2 POLARITY		
PIN 27	PIN 28	COLOR	PIN 29	PIN 30	COLOR
+	-	GREEN	+	-	GREEN

PRELIMINARY



ELECTRICAL CHARACTERISTICS @ 25°C

URNS RATIO		
TP1	1CT : 1CT	±3%
TP2	1CT : 1CT	±3%
TP3	1CT : 1CT	±3%
TP4	1CT : 1CT	±3%
DCL @ 100kHz,100mVRMS		
8mA DC BIAS	350 uH	MIN.
INS. LOSS		
100KHz TO 100MHz	-1.1 dB	MAX
RET. LOSS (MIN)		
1MHz-30MHz	-18 dB	
30MHz-60MHz	-13 dB	
60MHz-80MHz	-12 dB	
80MHz-100MHz	-10 dB	
CM TO CM REJ		
1MHz - 100MHz	-35 dB	TYP
CROSS TALK		
1MHz - 100MHz	-[33-20LOG(F/50MHz)]	MIN
HIPOT (Isolation Voltage):		1500 Vrms
LEAKAGE INDUCTANCE		
PRIMARY W/ SECONDARY SHORTED	0.3uH	Max. @ 1MHz
INTERWINDING CAPACITANCE		
PER CHANNEL (PRI. TO SEC.)	70pF	Max @ 1MHz
DC RESISTANCE		
(21-15)=(16-23)=(24-18)=(19-26)	1.2 ohms	Max
(RJ1-RJ2)=(RJ3-RJ6)=(RJ4-RJ5)=(RJ7-RJ8)	1.2 ohms	Max
LED 1 & LED 2		
V _F (FORWARD VOLTAGE)	IF=20mA	GREEN 2.2V TYP.
λ _D (DOMINANT WAVELENGTH)	IF=20mA	GREEN 565nm TYP.



ORIGINATED BY CHUNG	DATE 12-17-05	TITLE 2X1 gigabit MagJack® (with LED)	PART NO. / DRAWING NO. 0845-2G1T-J1	STANDARD DIM. TOL. IN INCH	[] METRIC DIM. AS REFERENCE		 COMPONENTS FOR A CONNECTED PLANET
DRAWN BY DE	DATE 12-17-05		FILE NAME 08452G1TJ1PC.DWG	.X .XX .XXX	UNIT : INCH [mm] SCALE : N/A	REV. : PC SIZE : A4 PAGE : 2	

THE INFORMATION CONTAINED HEREIN IS CONSIDERED "PROPRIETARY" TO BEL FUSE INC. AND SHALL NOT BE COPIED, REPRODUCED OR DISCLOSED WITHOUT THE WRITTEN APPROVAL OF BEL FUSE INC.

LED3 POLARITY			LED4 POLARITY		
PIN 31	PIN 32	COLOR	PIN 33	PIN 34	COLOR
+	-	GREEN	+	-	GREEN

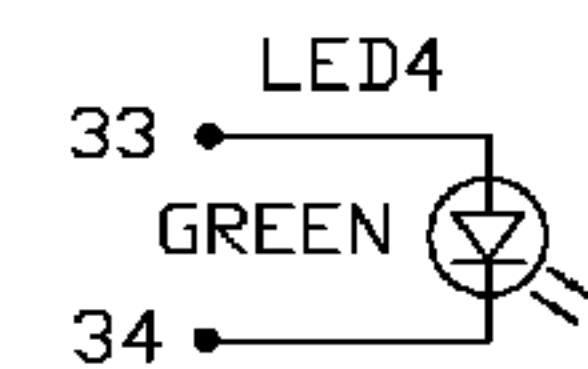
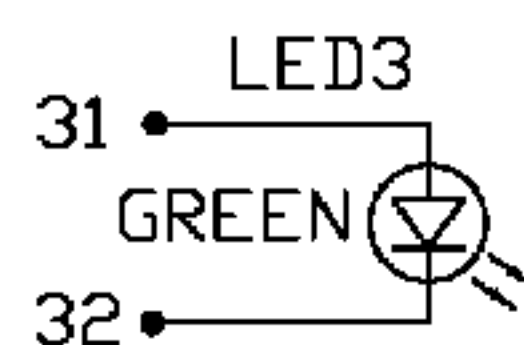
RoHS
2002/95/EC



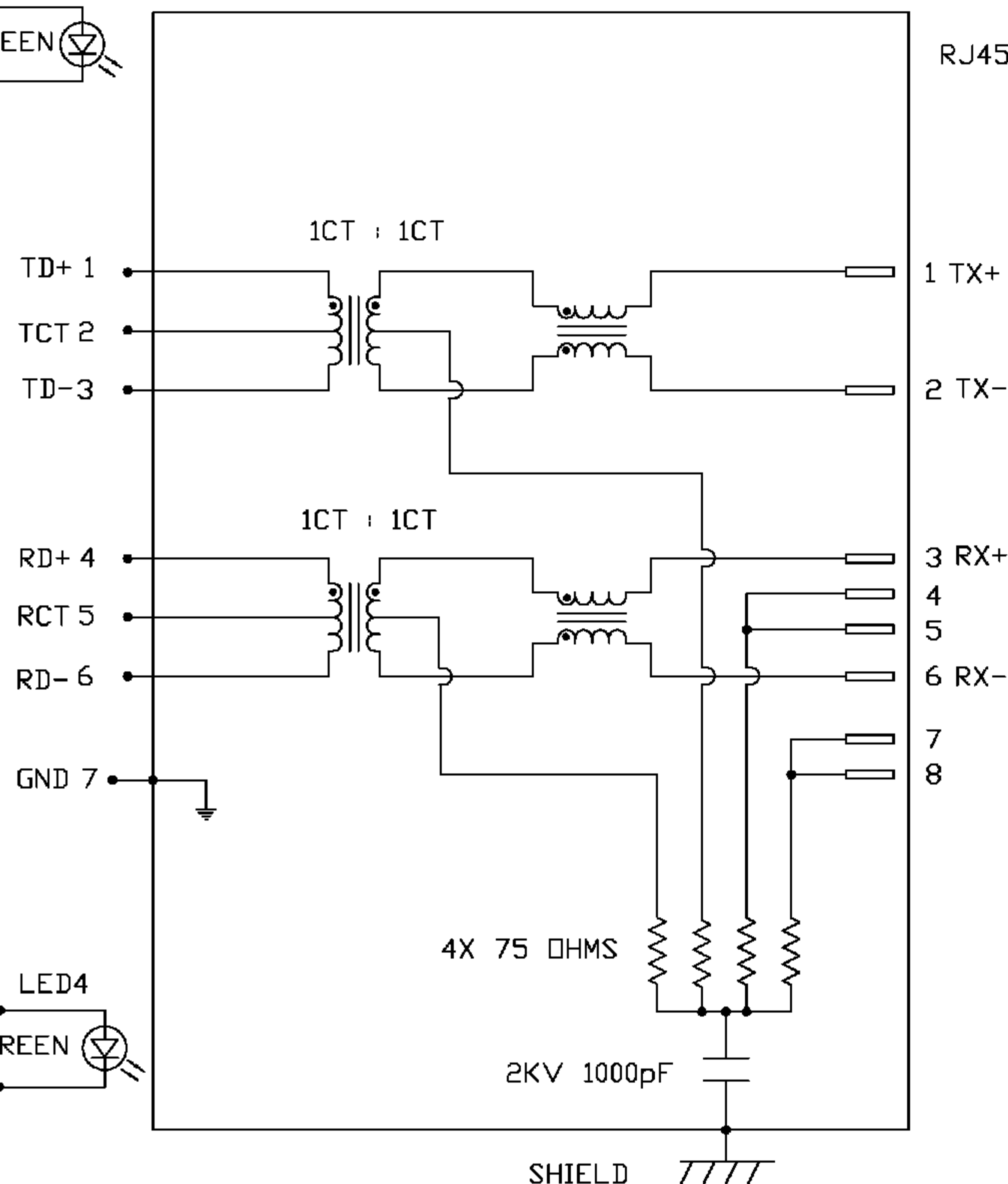
PRELIMINARY

ELECTRICAL CHARACTERISTICS @ 25°C

<p>URNS RATIO</p> <p>TX RX</p> <p>DCL @ 100kHz,100mVRMS 8mA DC BIAS</p> <p>INS. LOSS 100kHz TO 100MHz</p> <p>RET. LOSS (MIN) 1MHz-30MHz 30MHz-60MHz 60MHz-80MHz 80MHz-100MHz</p> <p>CM TO CM REJ 1MHz - 100MHz</p> <p>CROSS TALK 1MHz - 100MHz</p> <p>HIPOT (Isolation Voltage):</p> <p>LEAKAGE INDUCTANCE PRIMARY W/ SECONDARY SHORTED</p> <p>INTERWINDING CAPACITANCE PER CHANNEL (PRI. TO SEC.)</p> <p>DC RESISTANCE (1-3)=(4-6) (RJ1-RJ2)=(RJ3-RJ6)</p> <p>LED 3 & LED 4 (SUPER BRIGHT) VF (FORWARD VOLTAGE) λD (DOMINANT WAVELENGTH)</p>	<p>1CT : 1CT ±2%</p> <p>1CT : 1CT ±2%</p> <p>350 uH MIN.</p> <p>-1.1 dB MAX</p> <p>-18 dB -13 dB -12 dB -10 dB</p> <p>-35 dB TYP</p> <p>-[33-20LOG(F/50MHz)] MIN</p> <p>1500 Vrms</p> <p>0.3uH Max. @ 1MHz</p> <p>70pF Max @ 1MHz</p> <p>1.2 ohms Max 1.4 ohms Max</p> <p>IF=20mA GREEN 2.2V TYP. IF=20mA GREEN 565nm TYP.</p>
---	--



SCHEMATIC FOR UPPER PORT(PORT2)



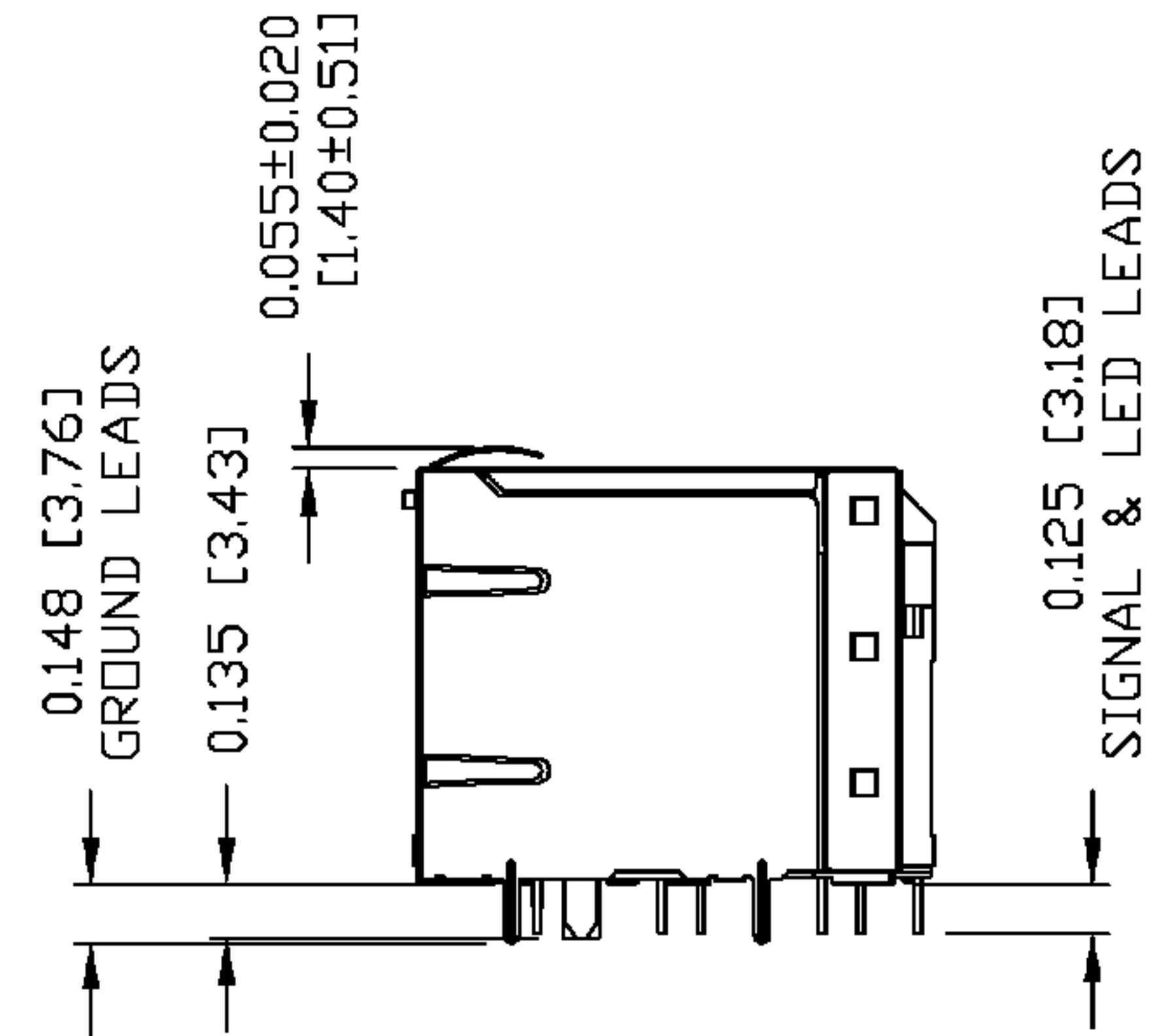
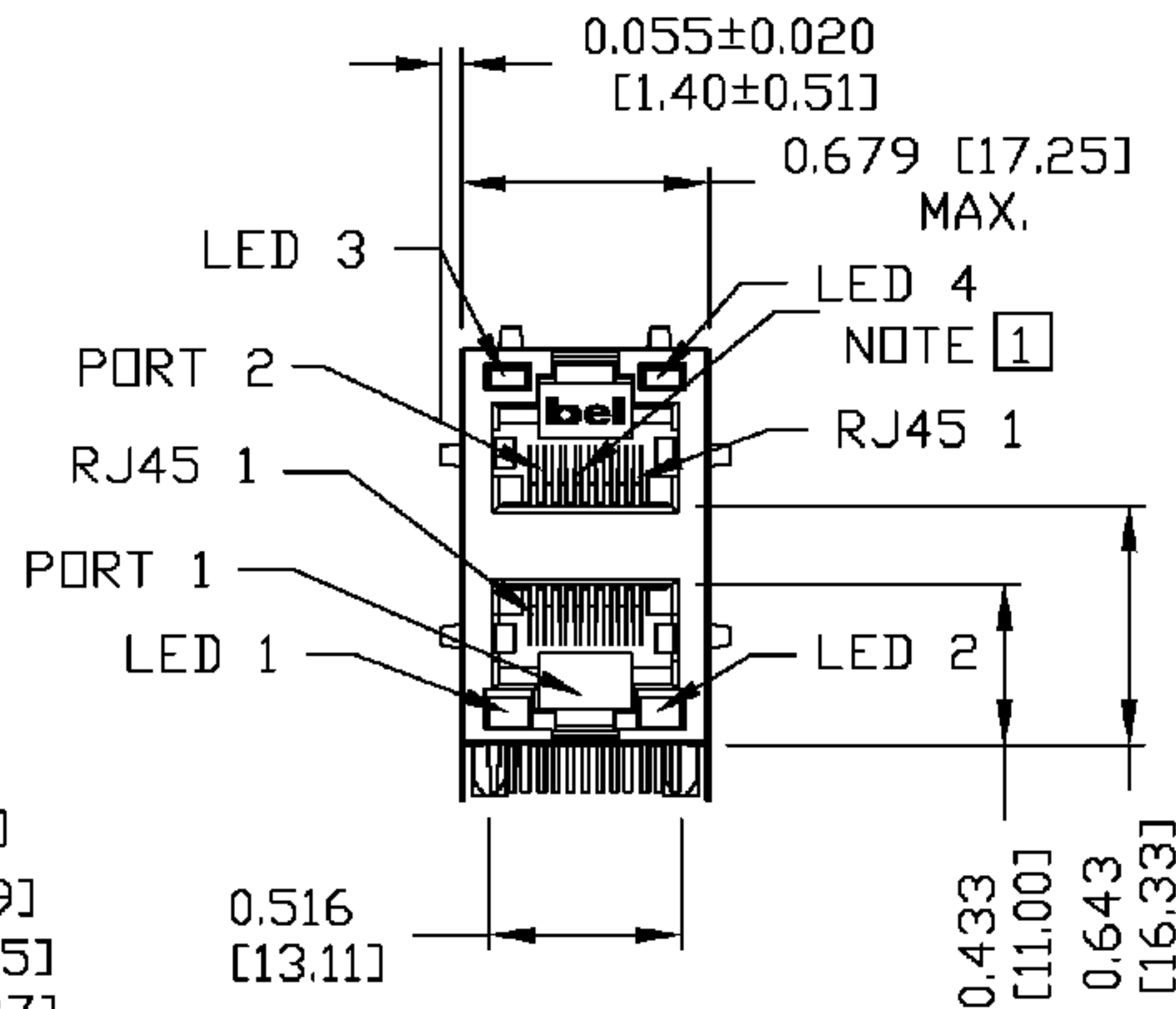
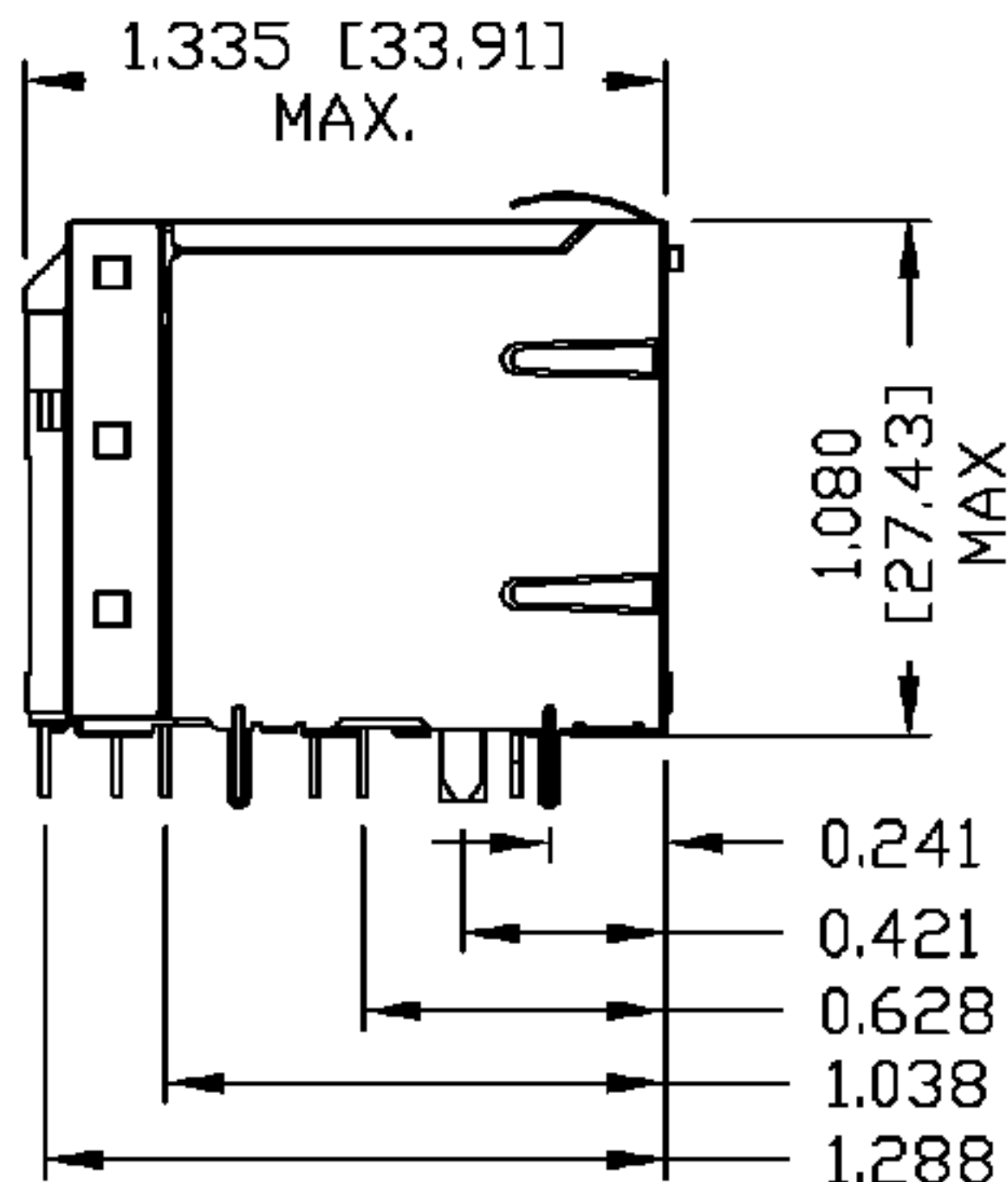
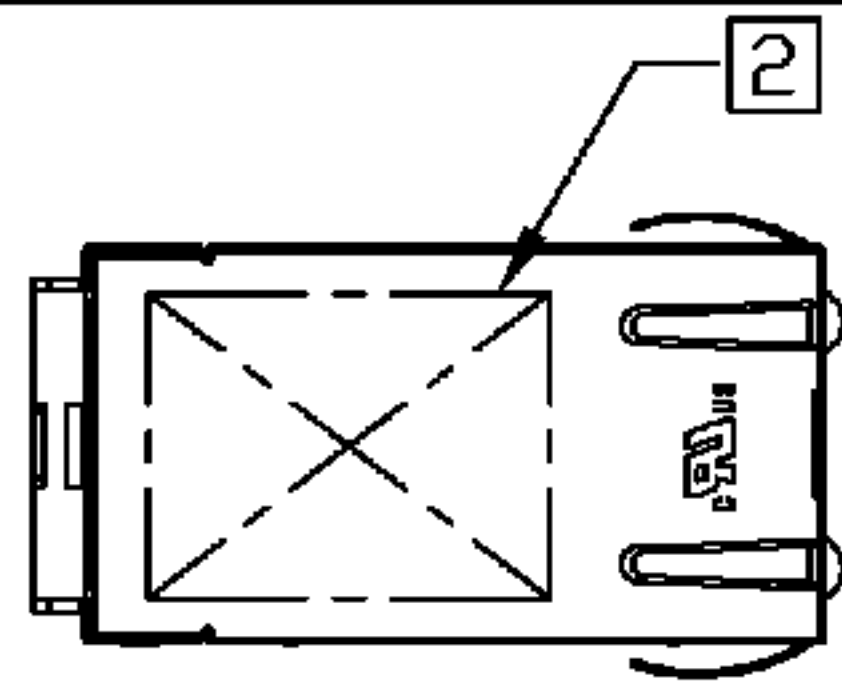
ORIGINATED BY CHUNG	DATE 12-17-05	TITLE 2X1 gigabit MagJack® (with LED)	PART NO. / DRAWING NO. 0845-2G1T-J1	STANDARD DIM. TOL. IN INCH .X .XX .XXX	[] METRIC DIM. AS REFERENCE UNIT : INCH [mm] SCALE : N/A	REV. : PC SIZE : A4 PAGE : 3	
DRAWN BY DE	DATE 12-17-05	FILE NAME 08452G1TJ1PC.DWG					

THE INFORMATION CONTAINED HEREIN IS CONSIDERED "PROPRIETARY" TO BEL FUSE INC. AND SHALL NOT BE COPIED, REPRODUCED OR DISCLOSED WITHOUT THE WRITTEN APPROVAL OF BEL FUSE INC.

RoHS
2002/95/EC



PRELIMINARY



NOTES:

- PLASTIC HOUSING: THERMOPLASTIC PBT
FLAMMABILITY RATING UL 94V-0
- CONTACT PLATING: 50 MICRO-INCH HARD GOLD PLATING
- OUTPUT PINS: TIN-COATED COPPER WIRE, DIA 0.018 INCH.
- METAL SHIELD: NICKEL PLATED COPPER ALLOY.
(ALL GROUND LEADS ARE SOLDER DIPPED)

RoHS COMPLIANCE, PER EU DIRECTIVE 2002/95/EC.

- [1] JACK CAVITY CONFORMS TO FCC RULES AND REGULATIONS, PART 68 SUBPART F.
- [2] MARK PART WITH MFG LOGO, MFG NAME, PART NUMBER, AND DATE CODE.

UL RECOGNIZED - FILE #E196366 AND E169987.

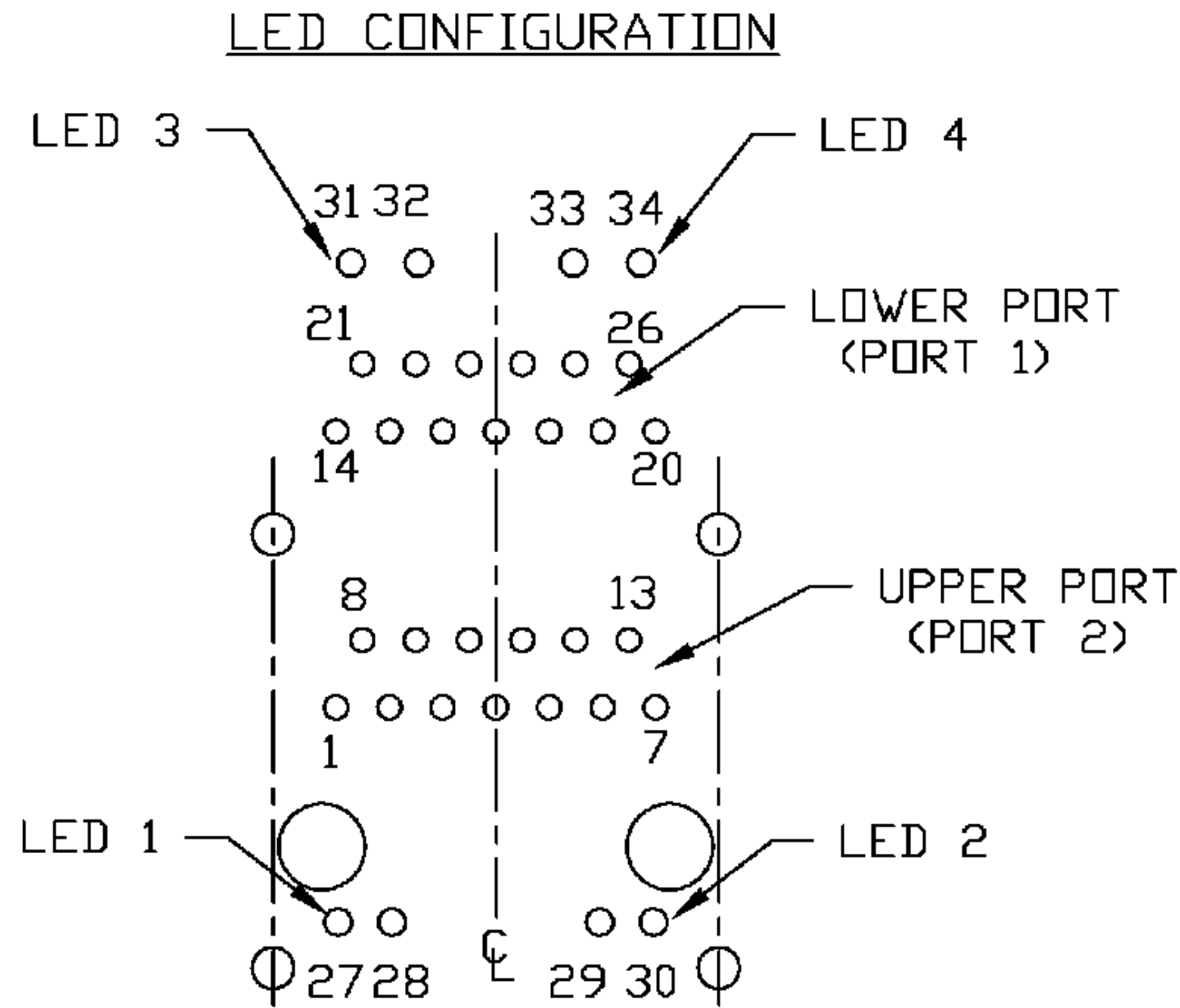
ORIGINATED BY	DATE	TITLE	PART NO. / DRAWING NO.	STANDARD DIM.		[] METRIC DIM. AS REFERENCE	
				TOL. IN INCH		UNIT : INCH [mm]	REV. : PC
QIN	12-17-05	2X1 glgabit MagJack® (with LED)	0845-2G1T-J1	.X		SCALE : N/A	SIZE : A4
DRAWN BY	DATE		FILE NAME	.XX		PAGE : 4	
TING	12-17-05		08452G1TJ1PC.DWG	.XXX		±0.010	



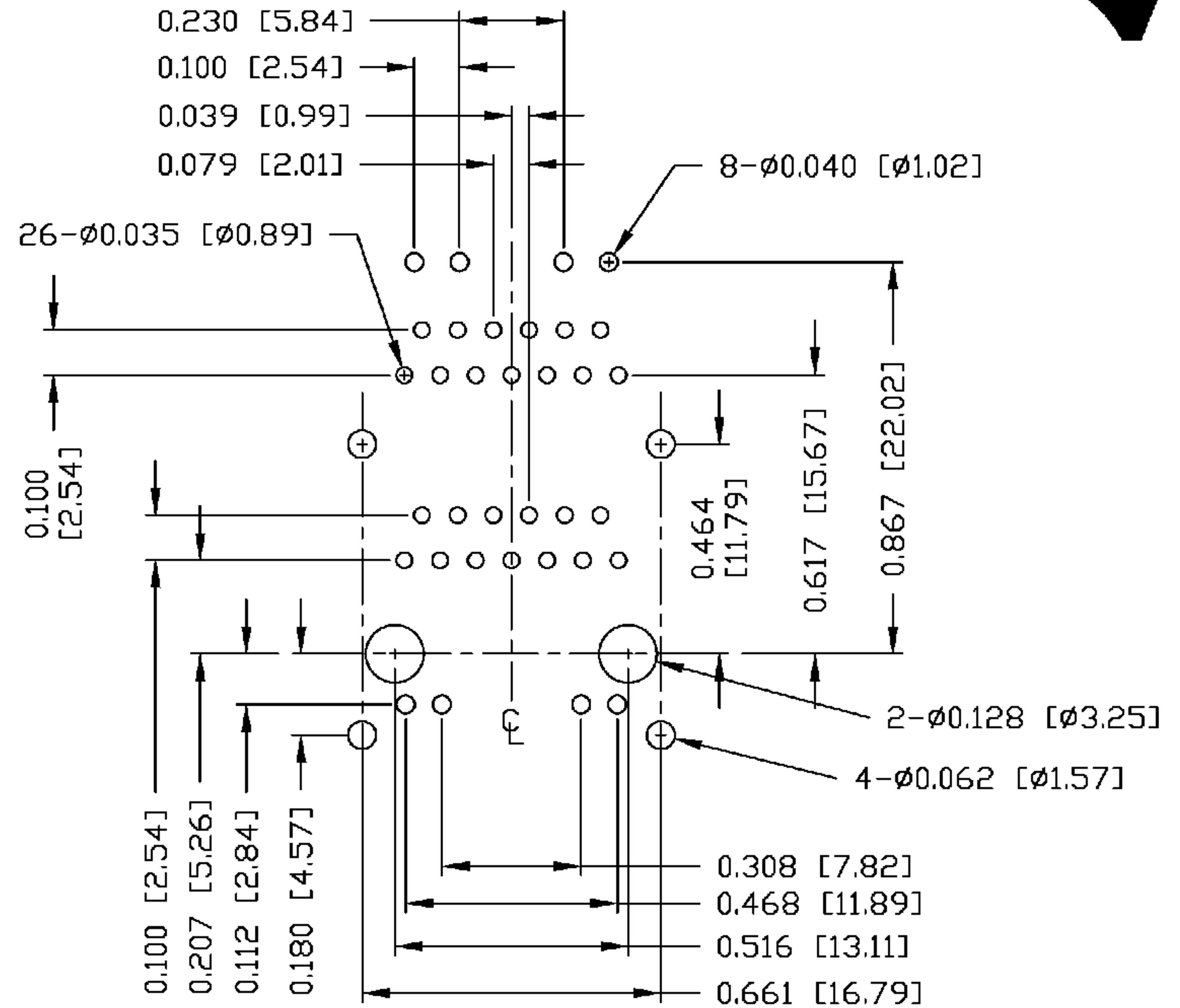
THE INFORMATION CONTAINED HEREIN IS CONSIDERED "PROPRIETARY" TO BEL FUSE INC. AND SHALL NOT BE COPIED, REPRODUCED OR DISCLOSED WITHOUT THE WRITTEN APPROVAL OF BEL FUSE INC.



PRELIMINARY



PIN-OUT INFORMATION
(COMPONENT SIDE VIEW)
(SCALE 2:1)



SUGGESTED FOOTPRINT
(COMPONENT SIDE VIEW)
(SCALE 2:1)

ORIGINATED BY	DATE	TITLE	PART NO. / DRAWING NO.	STANDARD DIM.	[] METRIC DIM. AS REFERENCE	
QIN	12-17-05	2X1 gigabit MagJack® (with LED)	0845-2G1T-J1	TOL. IN INCH	UNIT : INCH [mm]	REV. : PC
DRAWN BY	DATE		FILE NAME	.X	SCALE : N/A	SIZE : A4
TING	12-17-05		08452G1TJ1PC.DWG	.XX		PAGE : 5
				.XXX ±0.004		

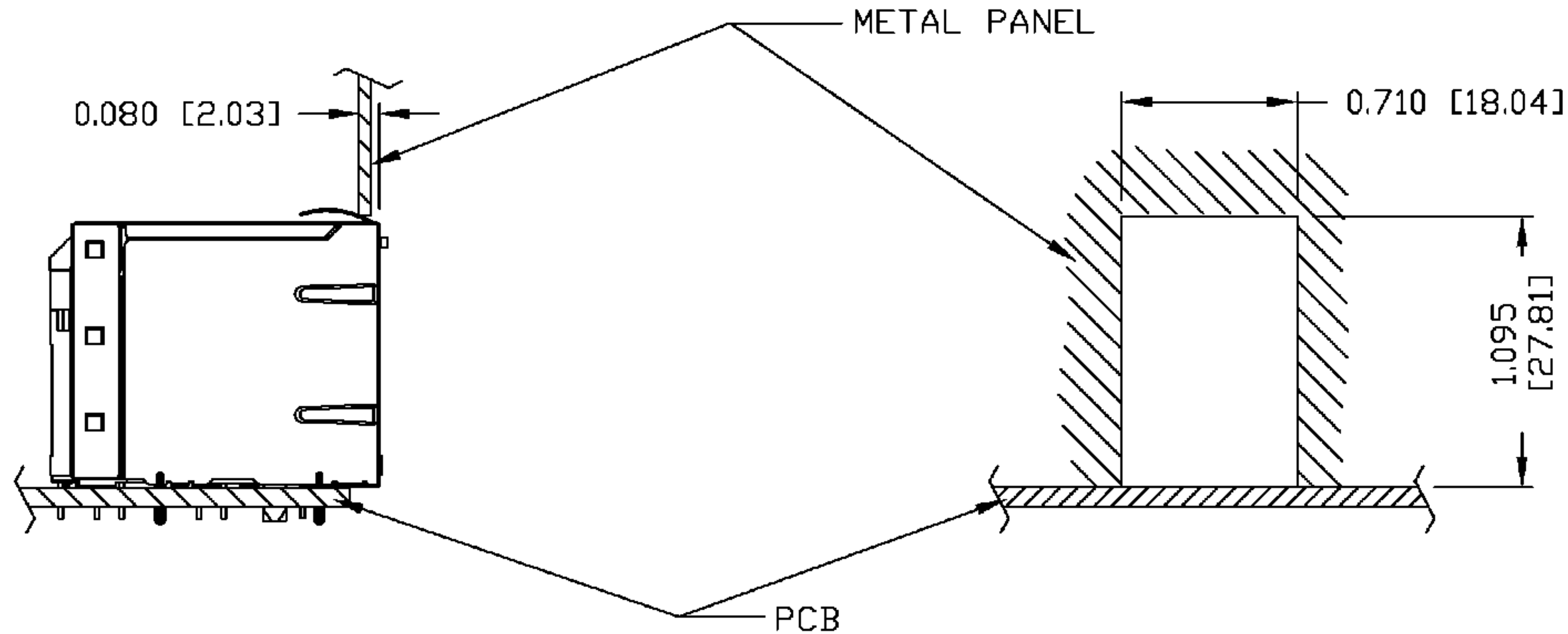


THE INFORMATION CONTAINED HEREIN IS CONSIDERED "PROPRIETARY" TO BEL FUSE INC. AND SHALL NOT BE COPIED, REPRODUCED OR DISCLOSED WITHOUT THE WRITTEN APPROVAL OF BEL FUSE INC.

PRELIMINARY



SUGGESTED PANEL OPENING



NOTE:

THE DISTANCE OF PANEL INSIDE SURFACE RELATIVE TO FRONT SURFACE OF PART IS ONLY A SUGGESTION. IN CASE THIS DISTANCE IS DIFFERENT, THE REQUIRED PANEL OPENING DIMENSIONS CHANGE ACCORDINGLY.

PACKING INFORMATION

PACKING TRAY: 0200-9999-H5 (TOP)
0200-9999-H6 (BOTTOM)

PACKING QUANTITY: 40 PCS FINISHED GOODS PER TRAY
6 TRAYS (240 PCS FINISHED GOODS) PER CARTON BOX.

NOTE: CARDBOARD ARE PLACED BETWEEN LAYERS OF PACKING TRAY INSIDE CARTON BOX.
(INCLUDE THE UPPERMOST AND LOWEREST TRAY)

ORIGINATED BY	DATE	TITLE	PART NO. / DRAWING NO.	STANDARD DIM.		[] METRIC DIM. AS REFERENCE	
				TOL. IN	INCH	UNIT : INCH [mm]	REV. : PC
QIN	12-17-05	2X1 gigabit MagJack® (with LED)	0845-2G1T-J1	.X		SCALE : N/A	SIZE : A4
DRAWN BY	DATE		FILE NAME	.XX			PAGE : 6
TING	12-17-05		08452G1TJ1PC.DWG	.XXX	±0.004		

