

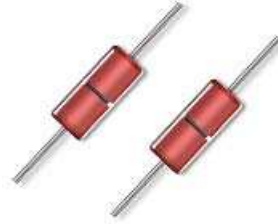
# Low Noise Zener Diode Series

## 1N4099-1 thru 1N4135-1 and 1N4614-1 thru 1N4627-1



### Features

- Available in JAN, JANTX, JANTXV and JANS per MIL-PRF-19500/435
- Tight tolerances available in plus or minus 2% or 1% with C or D suffix respectively.
- 500 mW power handling
- Hermetically sealed axial-leaded glass DO-35 package.
- Also available in DO-213 MELF style package.



### Maximum Ratings

Operating & Storage Temperature: -65 to +175°C  
 Thermal Resistance: 250°C/W  
 Steady-State Power: 0.5 watts  
 Forward Voltage @200 MA: 1.1 V

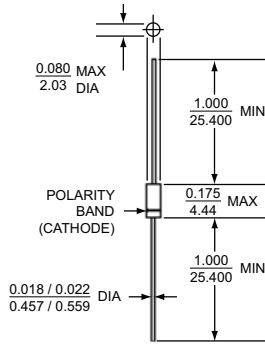
### Electrical Specifications @ +25 °C (Unless Otherwise Specified)

JEDEC TYPE No. (Note 1)	Normal Zener Voltage $V_Z @ I_{ZT}$	Zener Test Current $I_{ZT}$	Maximum Zener Impedance $Z_{ZT}$	Maximum Reverse Current $I_R @ V_R$		Maximum Noise Density $N_D @ I_{ZT}$	Maximum Zener Current $I_{ZM}$
	Volts	mA	Ohms	mA	Volts	$\mu V / \sqrt{Hz}$	mA
1N4614-1	1.8	250	1200	7.5	1	1	120
1N4615-1	2.0	250	1250	5.0	1	1	110
1N4616-1	2.2	250	1300	4.0	1	1	100
1N4617-1	2.4	250	1400	2.0	1	1	95
1N4618-1	2.7	250	1500	1.0	1	1	90
1N4619-1	3.0	250	1600	0.8	1	1	87
1N4620-1	3.3	250	1650	7.5	1.5	1	85
1N4621-1	3.6	250	1700	7.5	2	1	83
1N4622-1	3.9	250	1650	5.0	2	1	80
1N4623-1	4.3	250	1600	4.0	2	1	77
1N4624-1	4.7	250	1550	10.0	2	1	75
1N4625-1	5.1	250	1500	10.0	3	2	70
1N4626-1	5.6	250	1400	10.0	4	4	65
1N4627-1	6.2	250	1200	10.0	5	5	61
1N4099-1	6.8	250	200	10.0	5.17	40	56
1N4100-1	7.5	250	200	10.0	5.70	40	51
1N4101-1	8.2	250	200	1.0	6.24	40	46
1N4102-1	8.7	250	200	1.0	6.61	40	44
1N4103-1	9.1	250	200	1.0	6.92	40	42
1N4104-1	10	250	200	1.0	7.60	40	38
1N4105-1	11	250	200	0.05	8.44	40	35
1N4106-1	12	250	200	0.05	8.12	40	32
1N4107-1	13	250	200	0.05	9.857	40	29
1N4108-1	14	250	200	0.05	10.65	40	27
1N4109-1	15	250	100	0.05	11.40	40	25
1N4110-1	16	250	100	0.05	12.15	40	24
1N4111-1	17	250	100	0.05	12.92	40	22
1N4112-1	18	250	100	0.05	13.67	40	21
1N4113-1	19	250	150	0.05	14.44	40	20
1N4114-1	20	250	150	0.01	15.20	40	19
1N4115-1	22	250	150	0.01	16.72	40	17
1N4116-1	24	250	150	0.01	18.25	40	16
1N4117-1	25	250	150	0.01	19.00	40	15
1N4118-1	27	250	150	0.01	20.45	40	14
1N4119-1	29	250	200	0.01	21.28	40	14
1N4120-1	30	250	200	0.01	22.80	40	13
1N4121-1	33	250	200	0.01	25.08	40	12
1N4122-1	36	250	200	0.01	27.38	40	11
1N4123-1	39	250	200	0.01	29.65	40	9.8
1N4124-1	43	250	250	0.01	32.65	40	8.9
1N4125-1	47	250	250	0.01	35.75	40	8.1
1N4126-1	51	250	300	0.01	38.76	40	7.5
1N4127-1	56	250	300	0.01	42.60	40	6.7
1N4128-1	60	250	400	0.01	45.60	40	6.4
1N4129-1	62	250	500	0.01	47.10	40	6.1
1N4130-1	68	250	700	0.01	51.68	40	5.6
1N4131-1	75	250	700	0.01	57.00	40	5.1
1N4132-1	82	250	800	0.01	62.32	40	4.6
1N4133-1	87	250	1000	0.01	66.12	40	4.4
1N4134-1	91	250	1200	0.01	69.16	40	4.2
1N4135-1	100	250	1500	0.01	76.00	40	3.0

NOTE 1: The JEDEC type numbers shown with no suffix have a standard tolerance of  $\pm 5\%$  on the nominal Zener voltage; suffix C is used to identify  $\pm 2\%$ ; and suffix D is used to identify  $\pm 1\%$  tolerance.  $V_Z$  is measured with the diode in thermal equilibrium in 25°C still air.



## Outline Drawing



All dimensions in  $\frac{\text{INCH}}{\text{mm}}$

1N4099-1 thru 1N4135-1 and 1N4614-1 thru 1N4627-1

### LEADED DESIGN DATA

**CASE:** Hermetically sealed, DO – 35

**LEAD MATERIAL:** Copper clad steel

**LEAD FINISH:** Tin / Lead

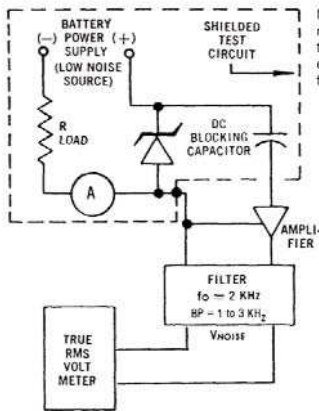
**THERMAL RESISTANCE:** ( $R_{\theta JEC}$ ): 70 °C/W maximum at L = 0.375 in

**THERMAL IMPEDANCE:** ( $Z_{\theta JX}$ ): 12 °C/W maximum

**POLARITY:** Cathode end is banded.

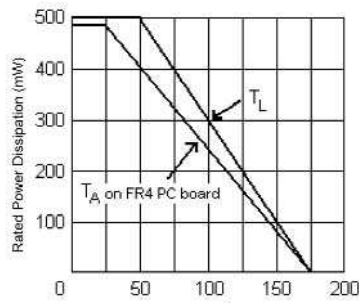
**MOUNTING POSITION:** Any

## Circuits & Graphs

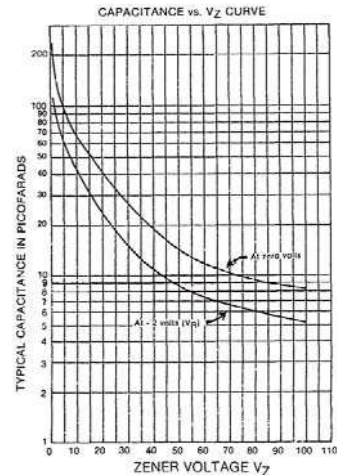


**FIGURE 1**  
NOISE DENSITY MEASUREMENT CIRCUIT

Noise density, ( $N_n$ ) is specified in microvolt-rms per square-root-hertz. Actual measurement is performed using a 1 KHz to 3 KHz frequency bandpass filter at a constant Zener test current ( $I_T$ ) AT 25°C ambient temperature.  $N_n$  is calculated from the formula.



**FIGURE 2 – POWER DERATING CURVE**



**FIGURE 3**  
CAPACITANCE vs. ZENER VOLTAGE  
(TYPICAL)

## Aeroflex / Metelics, Inc.

975 Stewart Drive,  
Sunnyvale, CA 94085

Tel: (408) 737-8181

Fax: (408) 733-7645

Sales: 888-641-SEMI (7364)

### Hi-Rel Components

9 Hampshire Street,  
Lawrence, MA 01840

Tel: (603) 641-3800

Fax: (978) 683-3264

[www.aeroflex.com/metelics-hirelcomponents](http://www.aeroflex.com/metelics-hirelcomponents)

54 Grenier Field Road,  
Londonderry, NH 03053

Tel: (603) 641-3800

Fax: (603)-641-3500

ISO 9001: 2008 certified companies

[www.aeroflex.com/metelics](http://www.aeroflex.com/metelics)

[metelics-sales@aeroflex.com](mailto:metelics-sales@aeroflex.com)

Aeroflex / Metelics, Inc. reserves the right to make changes to any products and services herein at any time without notice. Consult Aeroflex or an authorized sales representative to verify that the information in this data sheet is current before using this product. Aeroflex does not assume any responsibility or liability arising out of the application or use of any product or service described herein, except as expressly agreed to in writing by Aeroflex; nor does the purchase, lease, or use of a product or service from Aeroflex convey a license under any patent rights, copyrights, trademark rights, or any other of the intellectual rights of Aeroflex or of third parties.

Copyright 2009 Aeroflex / Metelics. All rights reserved.



Our passion for performance is defined by three attributes represented by these three icons: solution-minded, performance-driven and customer-focused.