

THE INFORMATION CONTAINED HEREIN IS CONSIDERED "PROPRIETARY" TO BEL FUSE INC. AND SHALL NOT BE COPIED, REPRODUCED OR DISCLOSED WITHOUT THE WRITTEN APPROVAL OF BEL FUSE INC.

LED 3 POLARITY			LED 4 POLARITY		
PIN 17	PIN 18	COLOR	PIN 15	PIN 16	COLOR
+	-	YELLOW	+	-	GREEN

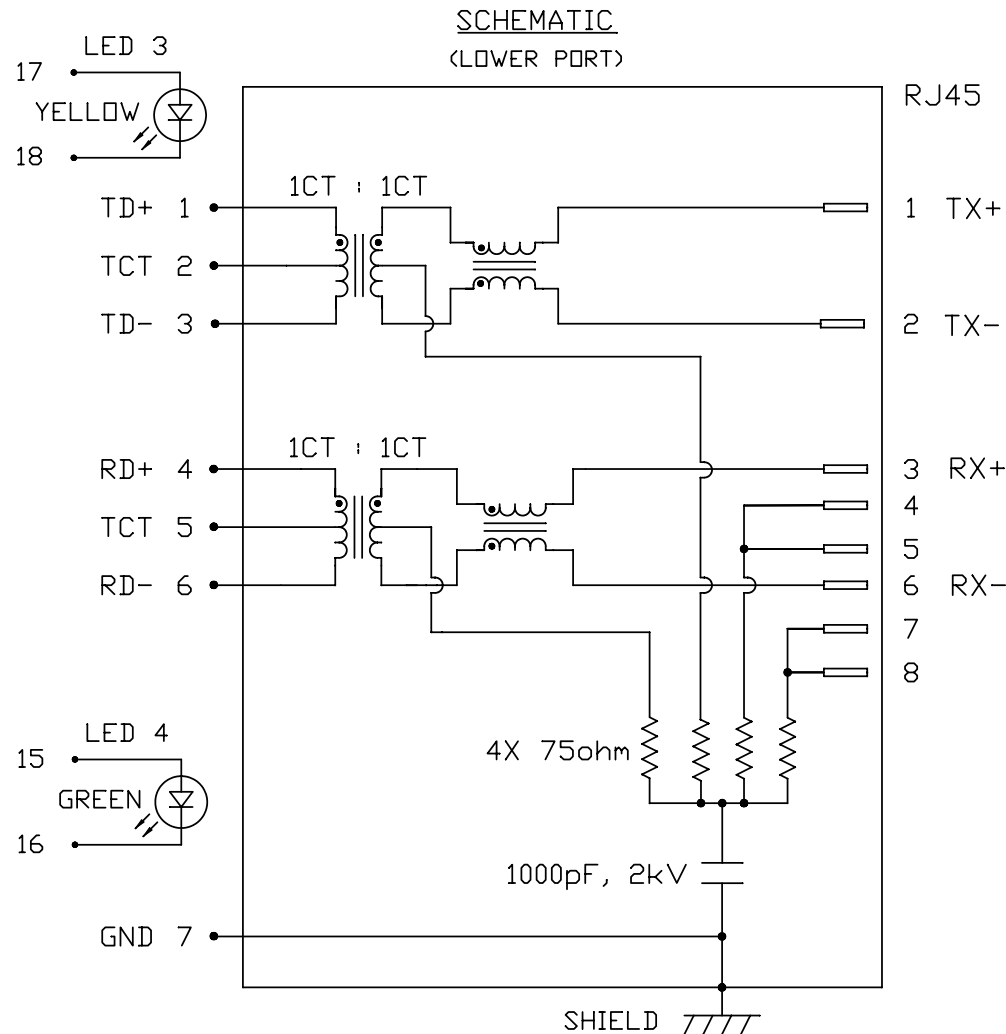
PRELIMINARY

RoHS  
2002/95/EC



ELECTRICAL CHARACTERISTICS @ 25°C

TURNS RATIO	
TX	1CT : 1CT ±3%
RX	1CT : 1CT ±3%
OCL @ 100kHz/100mVRMS	
8mA DC BIAS	350µH MIN.
INS. LOSS	
100KHz TO 100MHz	-1.1 dB MAX
RET. LOSS (MIN)	
1MHz-30MHz	-18 dB
60MHz-80MHz	-12 dB
CM TO CM REJ	
1MHz-100MHz	-35 dB TYP
CROSS TALK (TX - RX)	
1MHz-100MHz	-35 dB TYP
INTERWINDING CAPACITANCE	
PER CHANNEL (PRI. TO SEC.)	30pF TYP @ 1MHz
DC RESISTANCE	
(RJ1-RJ2)=(RJ3-RJ6)	1.8 ohms Max
PIN4-PIN6	1.1 ohms Max
PIN1-PIN3	1.1 ohms Max
HIPOT (Isolation Voltage):	
LED 3	1500 Vrms
VF (FORWARD VOLTAGE)	IF=20mA YELLOW 2.1V TYP.
λD (DOMINANT WAVELENGTH)	IF=20mA YELLOW 590nm TYP.
LED 4	
VF (FORWARD VOLTAGE)	IF=20mA GREEN 2.2V TYP.
λD (DOMINANT WAVELENGTH)	IF=20mA GREEN 565nm TYP.
OPERATING TEMPERATURE:	
	-40 TO +85 °C



ORIGINATED BY	DATE
CHOW WANCHUNG	04-16-09
DRAWN BY	DATE
LEE WEIDE	04-16-09

TITLE	2X1 MagJack® (with LED) Extended temperature
-------	--

PART NO. / DRAWING NO.	0845-2A1T-S4
FILE NAME	0845-2A1T-S4_PB.DWG

STANDARD DIM. TOL. IN INCH	
.X	
.XX	
.XXX	

[ ] METRIC DIM. AS REFERENCE	
UNIT : INCH [mm]	REV. : PB
SCALE : N/A	SIZE : A4
	PAGE : 2



THE INFORMATION CONTAINED HEREIN IS CONSIDERED "PROPRIETARY" TO BEL FUSE INC. AND SHALL NOT BE COPIED, REPRODUCED OR DISCLOSED WITHOUT THE WRITTEN APPROVAL OF BEL FUSE INC.

LED 1 POLARITY			LED 2 POLARITY		
PIN 21	PIN 22	COLOR	PIN 19	PIN 20	COLOR
+	-	YELLOW	+	-	GREEN

PRELIMINARY



ELECTRICAL CHARACTERISTICS @ 25°C

URNS RATIO

TX 1CT : 1CT ±3%  
RX 1CT : 1CT ±3%

□CL @ 100kHz/100mVRMS 350µH MIN.  
8mA DC BIAS

INS. LOSS 100kHz TO 100MHz -1.1 dB MAX

RET. LOSS (MIN) 1MHz-30MHz -18 dB  
60MHz-80MHz -12 dB

CM TO CM REJ 1MHz-100MHz -35 dB TYP

CROSS TALK (TX - RX) 1MHz-100MHz -35 dB TYP

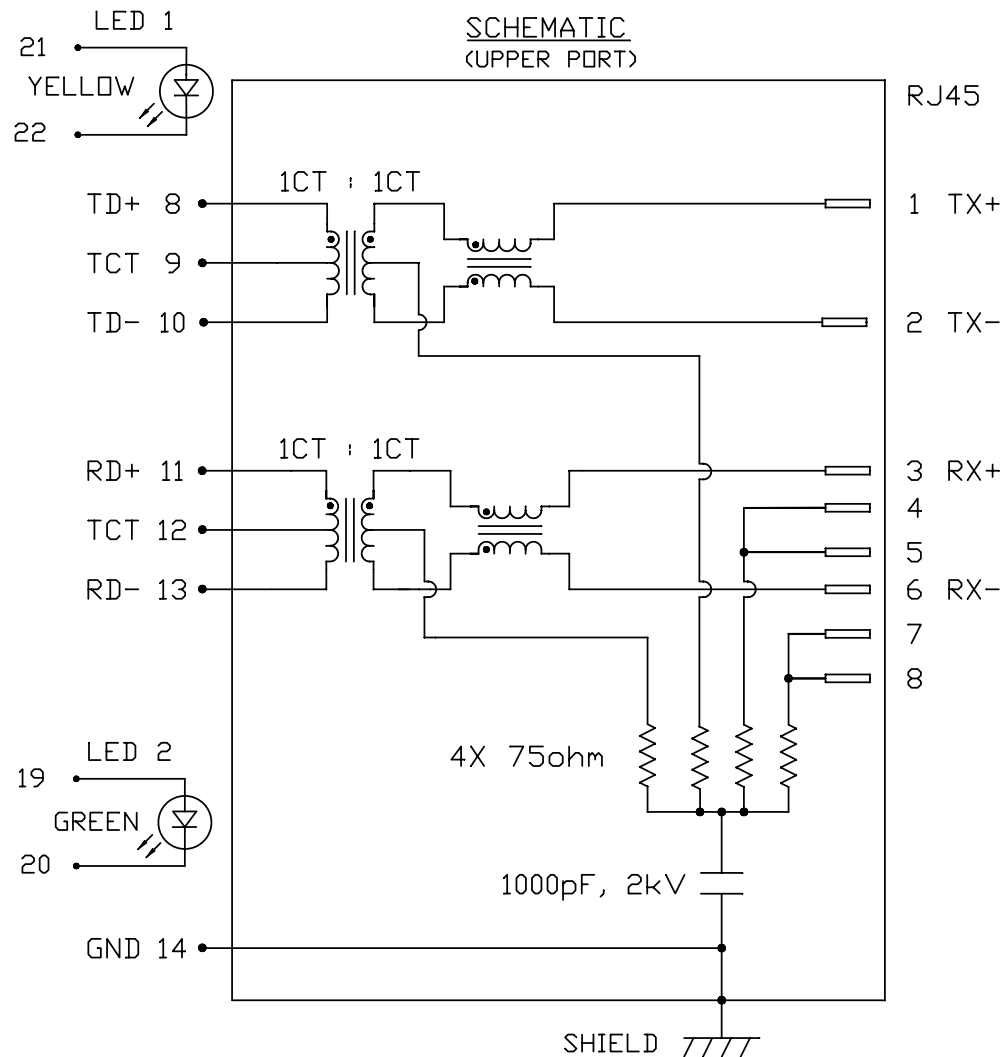
INTERWINDING CAPACITANCE PER CHANNEL (PRI. TO SEC.) 30pF TYP @ 1MHz

DC RESISTANCE (RJ1-RJ2)=(RJ3-RJ6) 1.8 ohms Max  
PIN11-PIN13 1.1 ohms Max  
PIN8-PIN10 1.1 ohms Max  
HIPOT (Isolation Voltage): 1500 Vrms

LED 1 (Super bright)  
VF (FORWARD VOLTAGE) IF=20mA YELLOW 2.1V TYP.  
λD (DOMINANT WAVELENGTH) IF=20mA YELLOW 590nm TYP.

LED 2 (Super bright)  
VF (FORWARD VOLTAGE) IF=20mA GREEN 2.2V TYP.  
λD (DOMINANT WAVELENGTH) IF=20mA GREEN 565nm TYP.

OPERATING TEMPERATURE: -40 TO +85 °C



ORIGINATED BY	DATE
CHOW WANCHUNG	04-16-09
DRAWN BY	DATE
LEE WEIDE	04-16-09

**TITLE**  
2X1 MagJack®  
(with LED)  
Extended temperature

**PART NO. / DRAWING NO.**  
0845-2A1T-S4  
**FILE NAME**  
0845-2A1T-S4\_PB.DWG

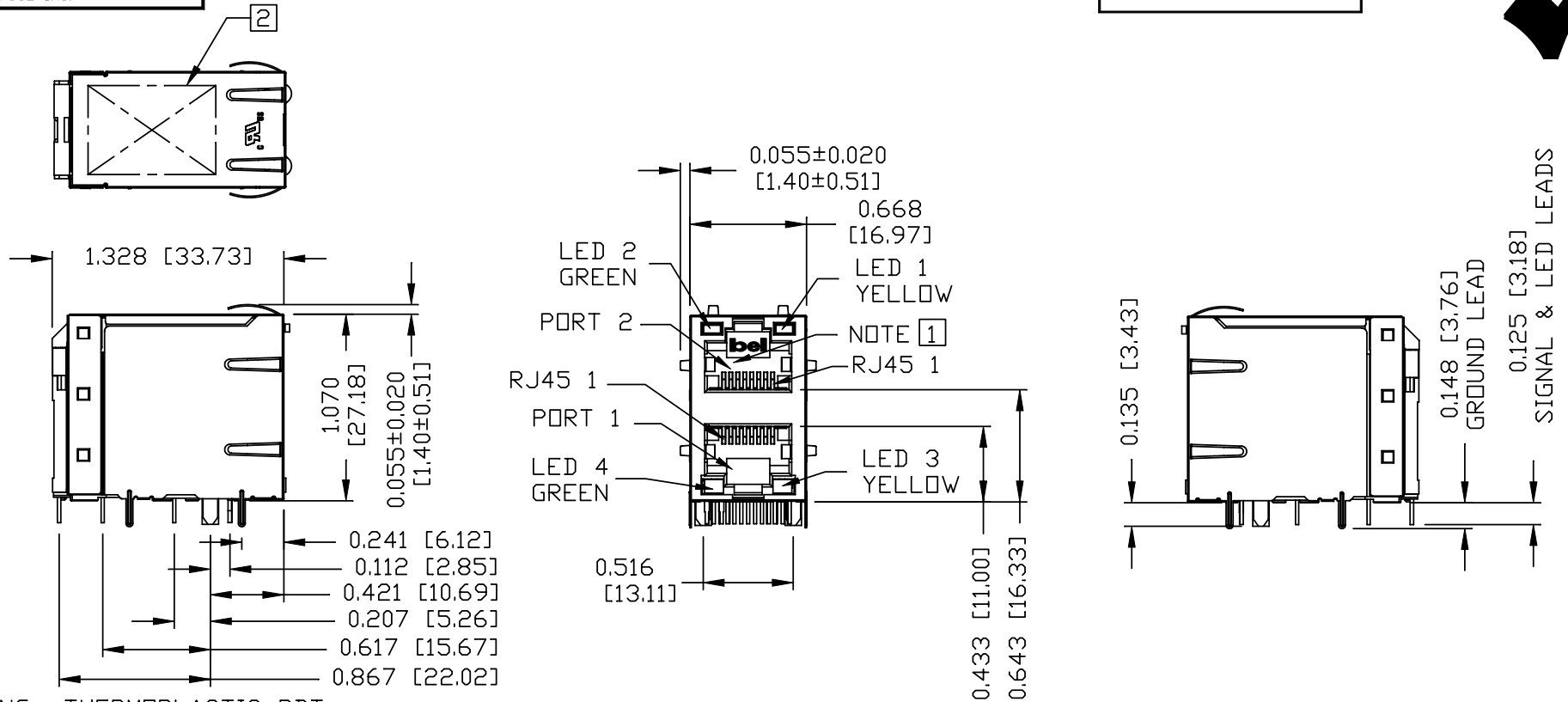
STANDARD DIM. TOL. IN INCH	
.X	
.XX	
.XXX	

[ ] METRIC DIM. AS REFERENCE	
UNIT : INCH [mm]	REV. : PB
SCALE : N/A	SIZE : A4
	PAGE : 3



THE INFORMATION CONTAINED HEREIN IS CONSIDERED "PROPRIETARY" TO BEL FUSE INC. AND SHALL NOT BE COPIED, REPRODUCED OR DISCLOSED WITHOUT THE WRITTEN APPROVAL OF BEL FUSE INC.

PRELIMINARY



NOTES:

- PLASTIC HOUSING: THERMOPLASTIC PBT  
FLAMMABILITY RATING UL 94V-0
- CONTACT PLATING: 50 MICRO-INCH HARD GOLD PLATING
- OUTPUT PINS: TIN-COATED COPPER WIRE, DIA 0.018 INCH.
- METAL SHIELD: NICKEL PLATED ON COPPER ALLOY.  
(ALL GROUND LEADS ARE SOLDER DIPPED)

- 1. JACK CAVITY CONFORMS TO FCC RULES AND REGULATIONS, PART 68 SUBPART F.
- 2. MARK PART WITH MFG LOGO, MFG NAME, PART NUMBER, AND DATE CODE.

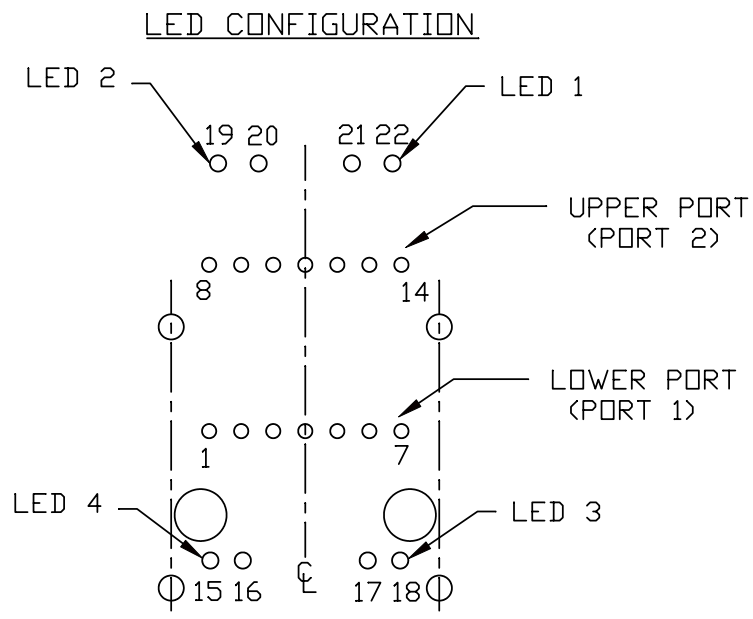
RoHS COMPLIANCE, PER EU DIRECTIVE 2002/95/EC.

UL RECOGNIZED - FILE #E196366 AND E169987.

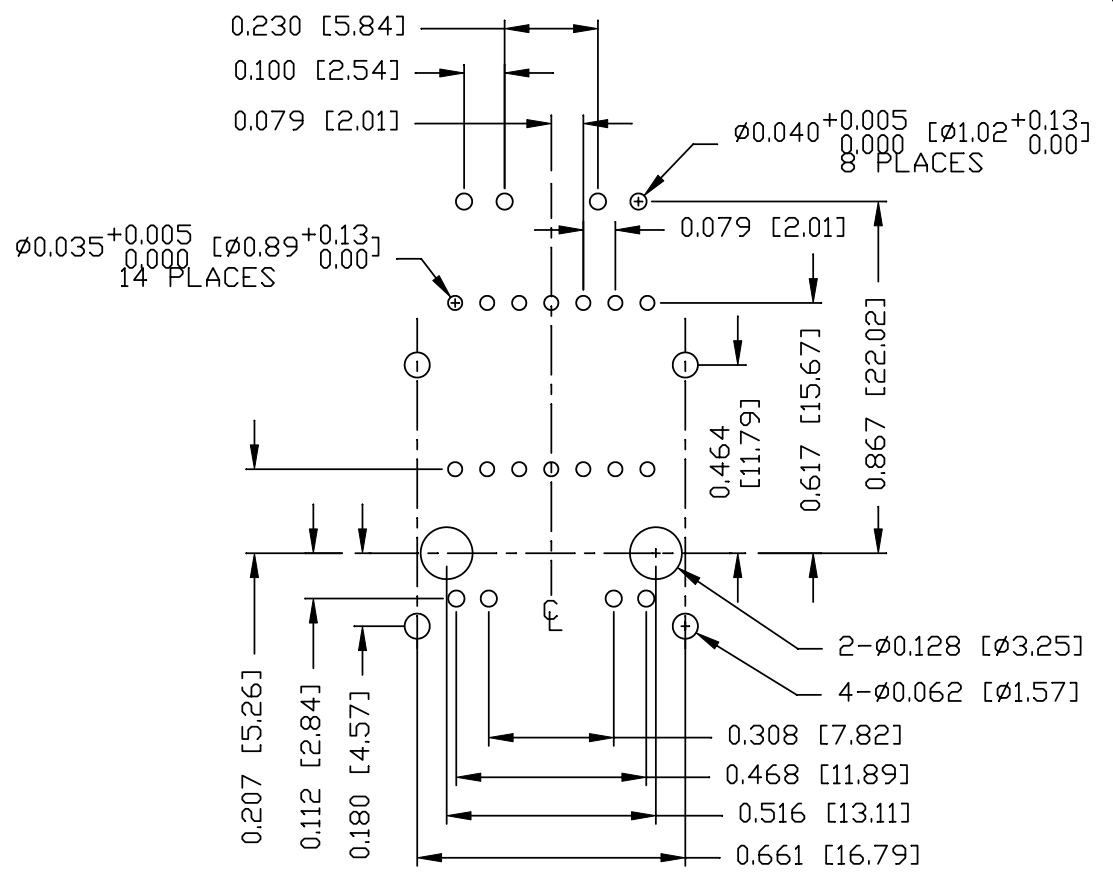
ORIGINATED BY CHEN BILL	DATE 04-16-09	TITLE 2X1 MagJack® (with LED) Extended temperature	PART NO. / DRAWING NO. 0845-2A1T-S4		STANDARD DIM. TOL. IN INCH		[ ] METRIC DIM. AS REFERENCE		COMPONENTS FOR A CONNECTED PLANET
			FILE NAME 0845-2A1T-S4_PB.DWG		.X		UNIT : INCH [mm]	REV. : PB	
DRAWN BY LIU QIN	DATE 04-16-09			.XX		SCALE : N/A	SIZE : A4		
				.XXX	±0.010		PAGE : 4		

THE INFORMATION CONTAINED HEREIN IS CONSIDERED 'PROPRIETARY' TO BEL FUSE INC. AND SHALL NOT BE COPIED, REPRODUCED OR DISCLOSED WITHOUT THE WRITTEN APPROVAL OF BEL FUSE INC.

PRELIMINARY



PIN-OUT INFORMATION  
(COMPONENT SIDE VIEW)  
(SCALE 2:1)



SUGGESTED FOOTPRINT  
(COMPONENT SIDE VIEW)  
(SCALE 2:1)

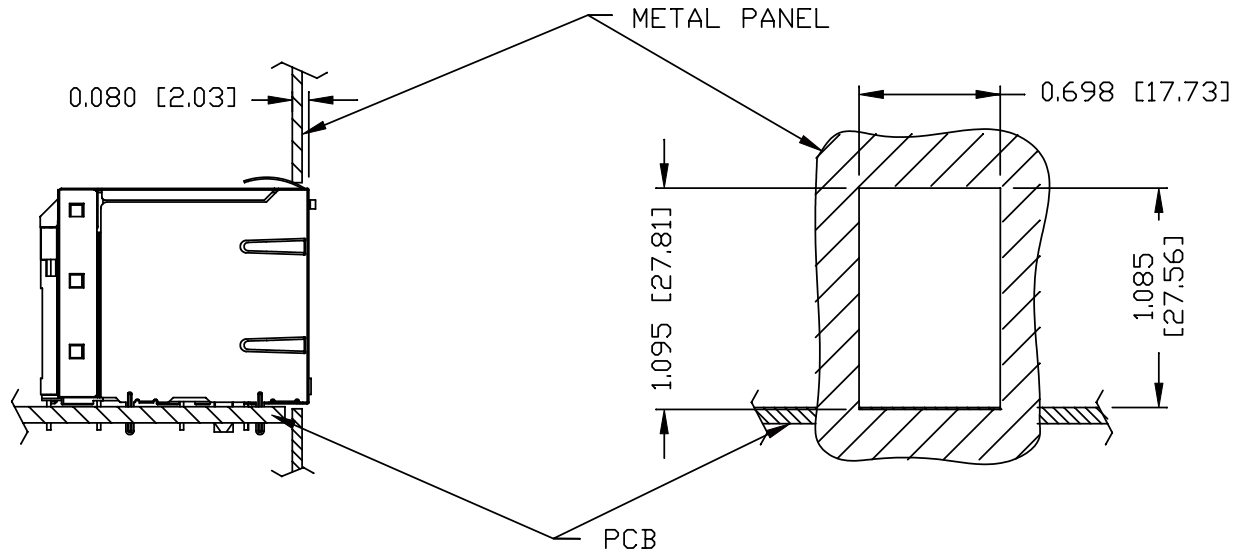
ORIGINATED BY CHEN BILL	DATE 04-16-09	TITLE 2X1 MagJack® (with LED) Extended temperature	PART NO. / DRAWING NO. 0845-2A1T-S4	STANDARD DIM. TOL. IN INCH	[ ] METRIC DIM. AS REFERENCE		 COMPONENTS FOR A CONNECTED PLANET
	DRAWN BY LIU QIN		DATE 04-16-09	FILE NAME 0845-2A1T-S4_PB.DWG	.X .XX .XXX	UNIT : INCH [mm] SCALE : N/A	

THE INFORMATION CONTAINED HEREIN IS CONSIDERED "PROPRIETARY" TO BEL FUSE INC. AND SHALL NOT BE COPIED, REPRODUCED OR DISCLOSED WITHOUT THE WRITTEN APPROVAL OF BEL FUSE INC.

PRELIMINARY



SUGGESTED PANEL OPENING



NOTE:

THE DISTANCE OF PANEL INSIDE SURFACE RELATIVE TO FRONT SURFACE OF PART IS ONLY A SUGGESTION. IN CASE THIS DISTANCE IS DIFFERENT, THE REQUIRED PANEL OPENING DIMENSIONS CHANGE ACCORDINGLY.

PACKING INFORMATION

PACKING TRAY: 0200-9999-H5 (TOP)  
0200-9999-H6 (BOTTOM)

PACKING QUANTITY: 40 PCS FINISHED GOODS PER TRAY  
6 TRAYS (240 PCS FINISHED GOODS) PER CARTON BOX.

NOTE: CARDBOARD ARE PLACED BETWEEN LAYERS OF PACKING TRAY INSIDE CARTON BOX.  
(INCLUDE THE UPPERMOST AND LOWEREST TRAY)

ORIGINATED BY CHEN BILL	DATE 04-16-09	TITLE 2X1 MagJack® (with LED) Extended temperature	PART NO. / DRAWING NO. 0845-2A1T-S4		STANDARD DIM. TOL. IN INCH		[ ] METRIC DIM. AS REFERENCE	
			FILE NAME 0845-2A1T-S4_PB.DWG		.X .XX .XXX	±0.004	UNIT : INCH [mm]	REV. : PB
DRAWN BY LIU QIN	DATE 04-16-09					SCALE : N/A	SIZE : A4	
							PAGE : 6	

