

DC BLOCKS

TNC 10 MHz - 18 GHz, 200 Volts

SPECIFICATIONS:

Models: 8070, 8071, 8072, 8073, 8074, 8075, 8076, 8077, 8078

RoHS
Compliant

Electrical:

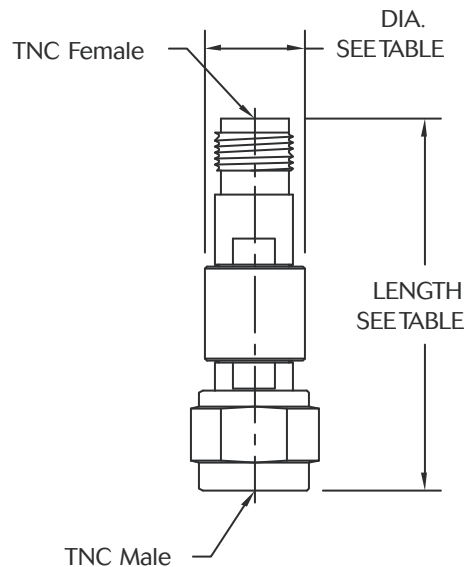
Frequency Range _____ 10 MHz - 18 GHz
 VSWR _____ 1.35:1 Max.
 Impedance _____ 50 Ohms
 Insertion Loss _____ 0.75 dB Max.
 Voltage Rating _____ 200 Volts Max.
 Operating Temp. Range _____ -65°C to +125°C

Mechanical:

TNC Connectors * _____ Passivated Stainless Steel
Mates with MIL-STD-348
 Conductors _____ Gold Plated Beryllium Copper
 Housings:
 Inner Only Blocks _____ Passivated Stainless Steel
 Outer and Inner/Outer Blocks _____ High Temperature Plastic

*TNC Connectors are Mode-Free up to 18 GHz

AEROFLEX
A passion for performance.



Model Shown: 8070

TABLE

MODEL NUMBER	BLOCK TYPE	CONN. CONFIG.	WEIGHT GRAMS MAX.	DIAMETER	LENGTH
8070	INNER ONLY	MALE/ FEMALE	48.6	Ø.56 [14.2]	2.07 ±.03 [52.6 ±0.8]
8071	OUTER ONLY		36.4	Ø.50 [12.7]	
8072	INNER-OUTER				
8073	INNER ONLY	FEMALE/ FEMALE	38.1	Ø.56 [14.2]	2.17 ±.03 [55.1±0.8]
8074	OUTER ONLY		25.9	Ø.50 [12.7]	
8075	INNER-OUTER				
8076	INNER ONLY	MALE/ MALE	59.1	Ø.56 [14.2]	1.98 ±.03 [50.3 ±0.8]
8077	OUTER ONLY		46.9	Ø.50 [12.7]	
8078	INNER-OUTER				

Note: Dimensions in Brackets are Expressed in Millimeters and are for Reference Only.

8070: REV F



Aeroflex / Inmet, Inc. • 300 Dino Drive, Ann Arbor, MI 48103 • U.S.A.
 888-244-6638 or 734-426-5553 • FAX: 734-426-5557
 www.aeroflex.com/inmet • inmet@aeroflex.com