

DC BLOCKS

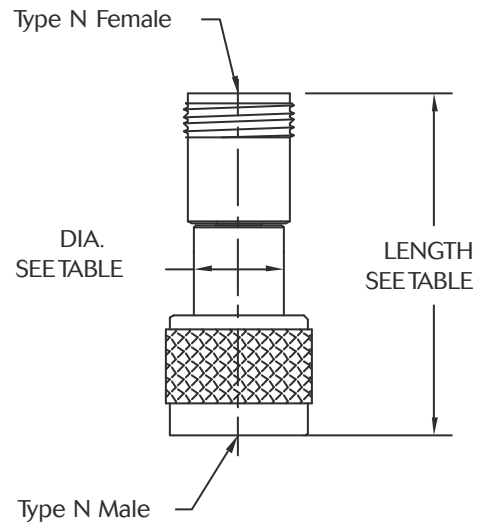
Type N, 10 MHz - 18GHz, 200 Volts

SPECIFICATIONS:

Models: 8046, 8047, 8048, 8049, 8050, 8051, 8052, 8053, 8054

RoHS
Compliant

Electrical:	
Frequency Range _____	10 MHz - 18 GHz
VSWR _____	1.35:1 Max.
Impedance _____	50 Ohms
Insertion Loss _____	0.60 dB Max.
Voltage Rating _____	200 Volts Max.
Operating Temp. Range _____	-65°C to +125°C
Mechanical:	
Type N Connectors _____	Passivated Stainless Steel
Mates with MIL-STD-348	
Conductors _____	Gold Plated Beryllium Copper
Housings:	
Inner Only Blocks _____	Passivated Stainless Steel
Outer and Inner/Outer Blocks _____	High Temperature Plastic



AEROFLEX
A passion for performance.

TABLE

MODEL NUMBER	BLOCK TYPE	CONN. CONFIG.	WEIGHT GRAMS MAX.	DIAMETER	LENGTH
8046	INNER ONLY	MALE/ FEMALE	65.6	Ø.63 [16.0]	1.76 ±.03 [44.7 ±0.8]
8047	OUTER ONLY		50.9	Ø.50 [12.7]	1.91 ±.03 [48.5 ±0.8]
8048	INNER-OUTER				
8049	INNER ONLY	FEMALE/ FEMALE	56.6	Ø.56 [14.2]	1.99 ±.03 [50.6 ±0.8]
8050	OUTER ONLY		44.4	Ø.50 [12.7]	
8051	INNER-OUTER				
8052	INNER ONLY	MALE/ MALE	69.7	Ø.56 [14.2]	1.83 ±.03 [46.5 ±0.8]
8053	OUTER ONLY		57.5	Ø.50 [12.7]	
8054	INNER-OUTER				

Model Shown: 8047

Note: Dimensions in Brackets are Expressed in Millimeters and are for Reference Only.

8046: REV G



Aeroflex / Inmet, Inc. • 300 Dino Drive, Ann Arbor, MI 48103 • U.S.A.
888-244-6638 or 734-426-5553 • FAX: 734-426-5557
www.aeroflex-inmet.com • inmet-sales@eroflex.com