

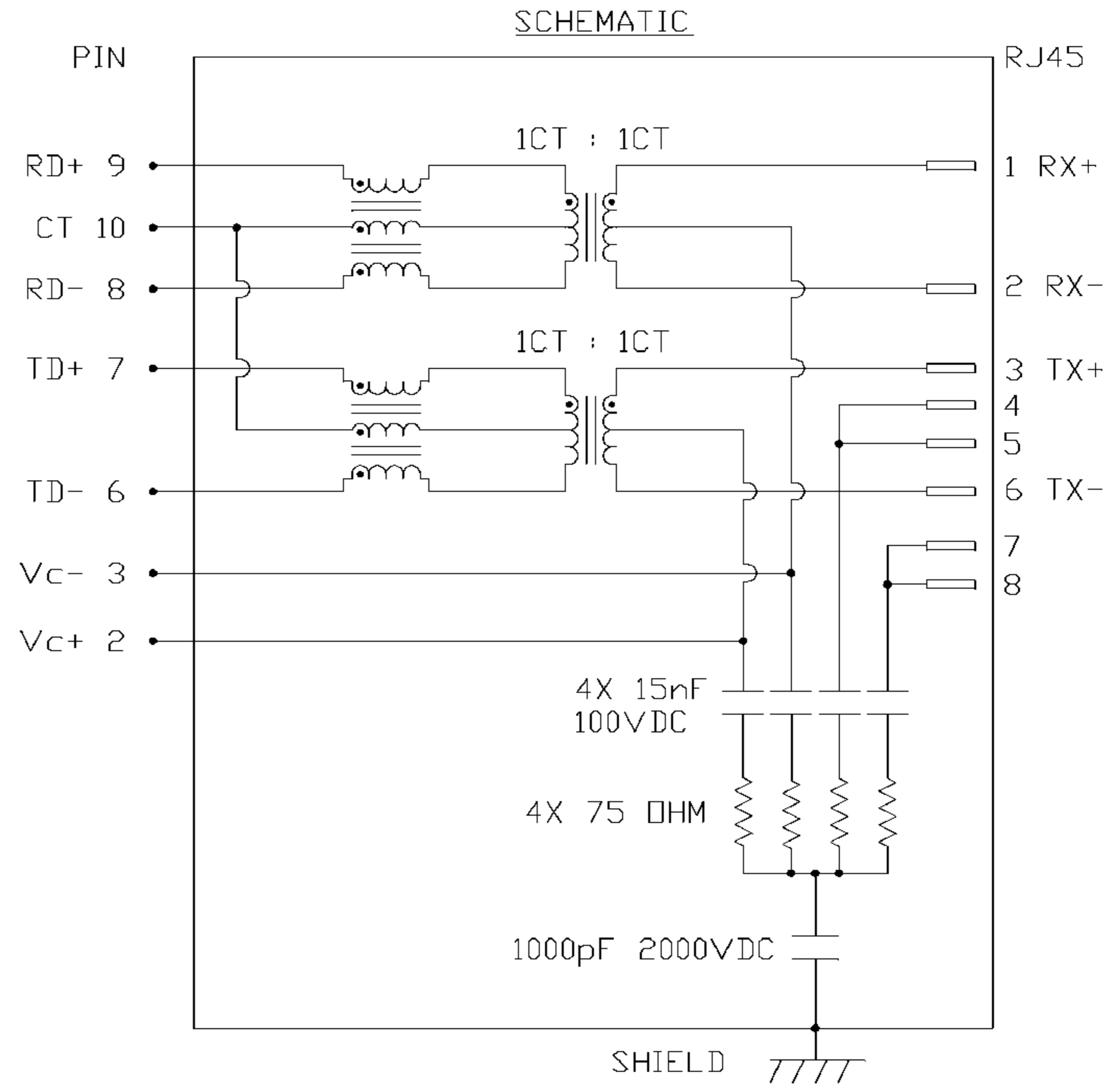
THE INFORMATION CONTAINED HEREIN IS CONSIDERED "PROPRIETARY" TO BEL FUSE INC. AND SHALL NOT BE COPIED, REPRODUCED OR DISCLOSED WITHOUT THE WRITTEN APPROVAL OF BEL FUSE INC.

PRELIMINARY



ELECTRICAL CHARACTERISTICS @ 25°C

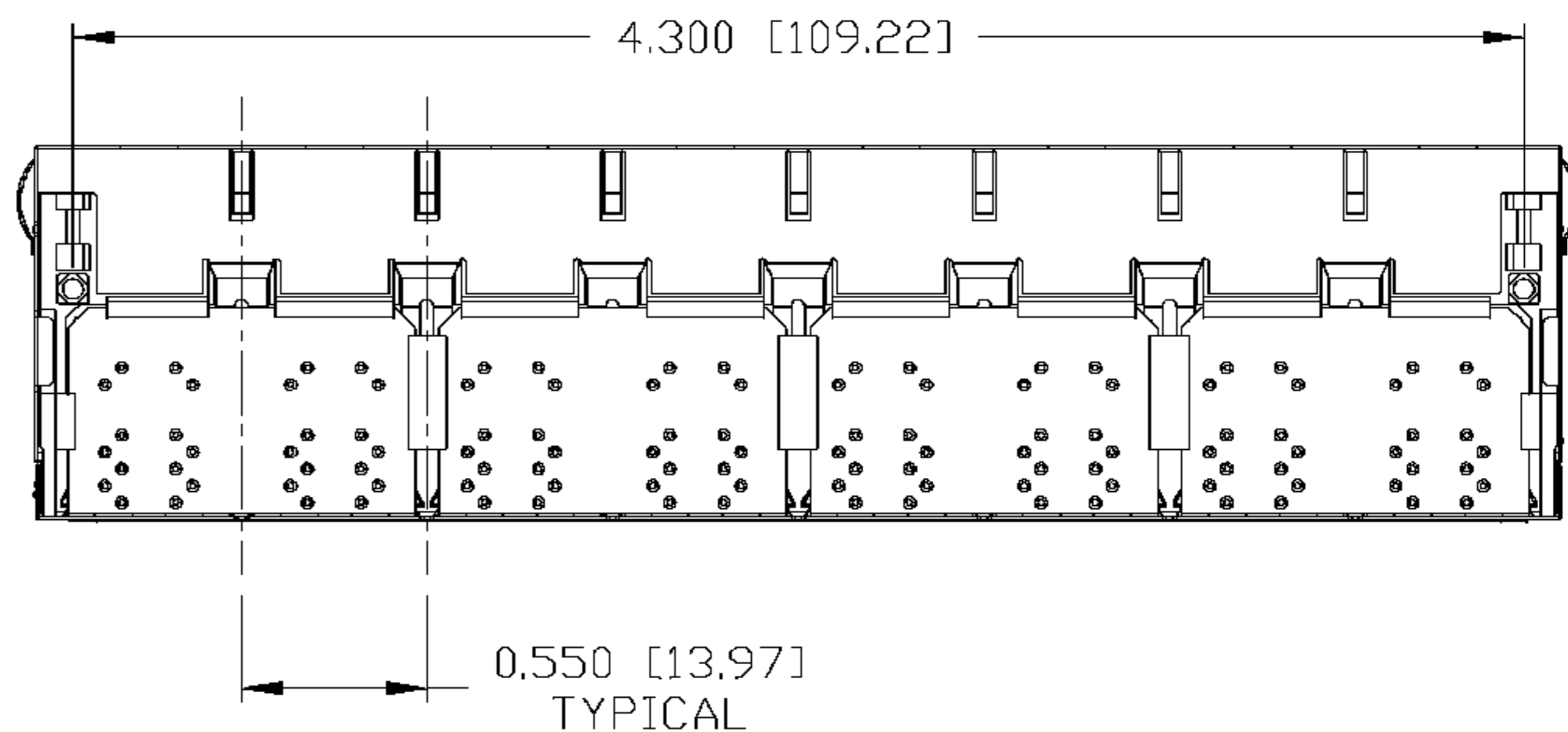
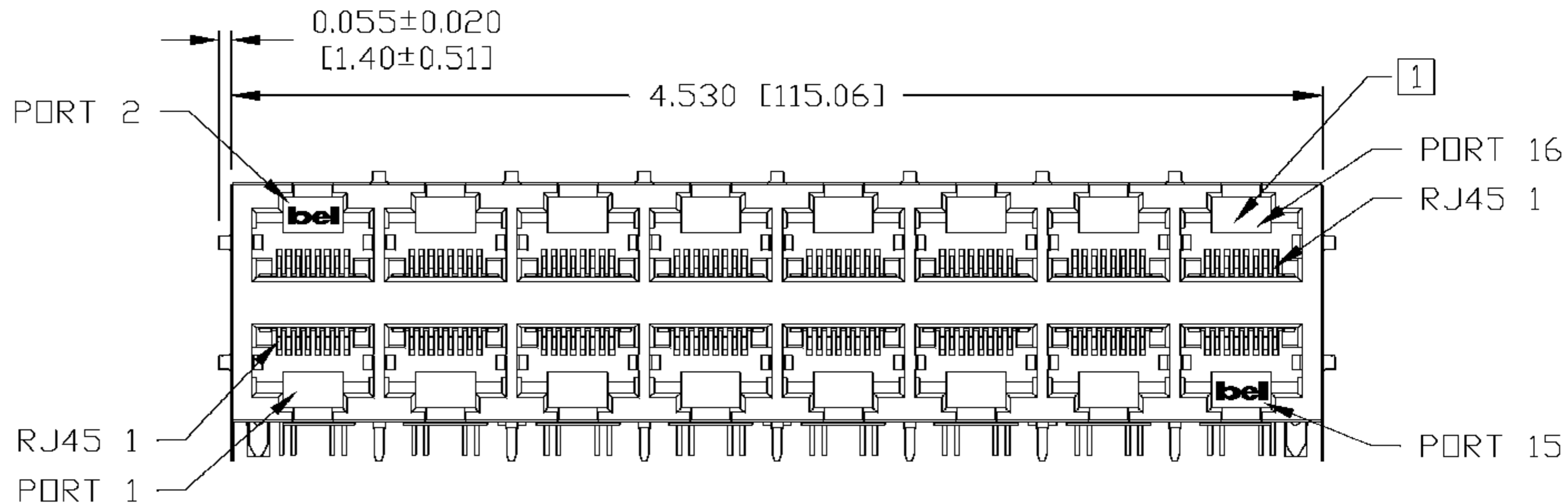
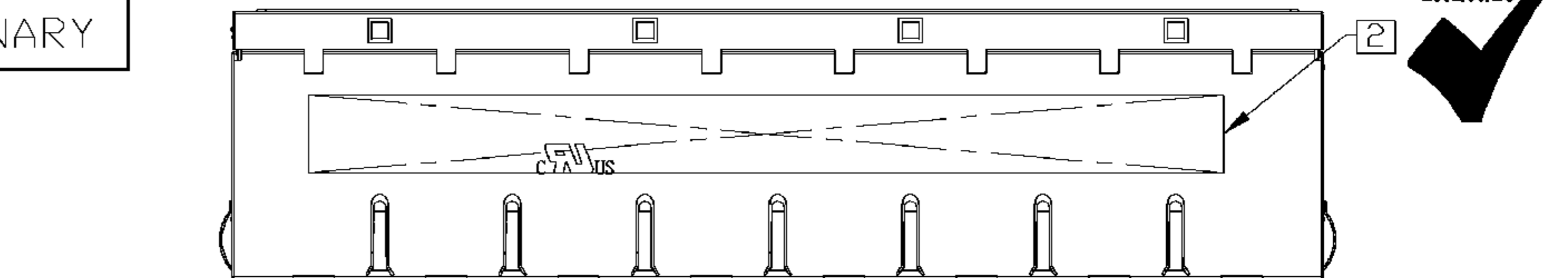
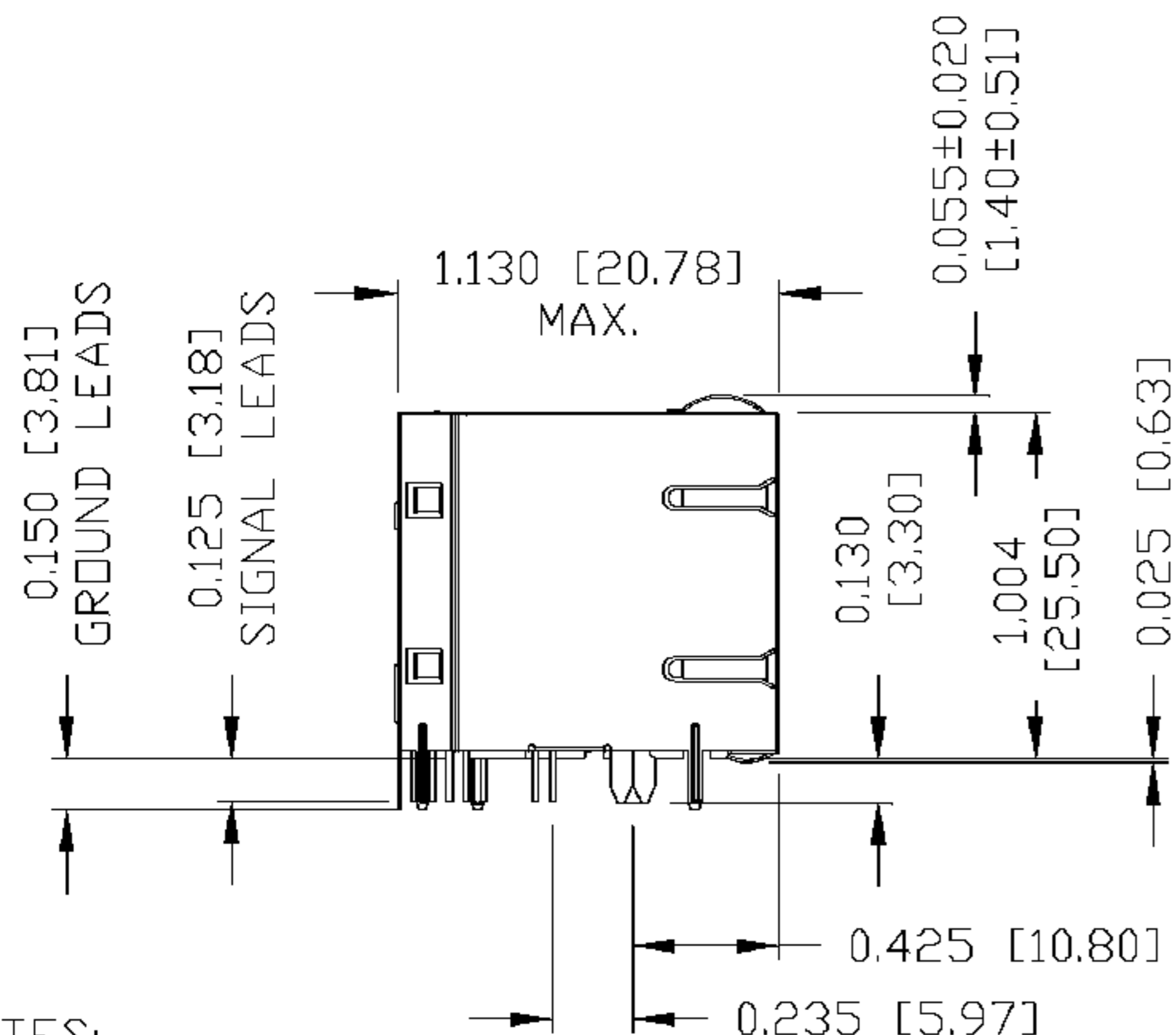
<p>           TURNS RATIO            □CL @ 100mV, 100KHz            8mA DC BIAS            INSERTION LOSS            100KHz TO 100MHZ            RETURN LOSS (MIN.)            2MHz-30MHz            60MHz-80MHz            LEAKAGE INDUCTANCE            PRIMARY W/ SECONDARY SHORTED            D.C. RESISTANCE            (9-8)=(7-6)            (RJ1-RJ2)=(RJ3-RJ6)            INTERWINDING CAPACITANCE            PER CHANNEL (PRI. to SEC.)            XTALK            100KHz TO 100MHZ            HIPOT (Isolation Voltage):            100% OF PRODUCTION TESTED TO COMPLY WITH            IEEE 802.3 ISOLATION REQUIREMENTS.            BALANCED DC LINE CURRENT            720 mA MAX. @ 57 VDC CONTINUOUS            1.2 A MAX. @ 57 VDC for 200 MILLISECONDS         </p>	<p>           1CT : 1CT ±2%            350µH MIN.            -1.5 dB MAX.            -16 dB MIN.            -10 dB MIN.            0.25 µH MAX. @ 1MHz            1.4 ΩHM.            1.0 ΩHM.            40 pF MAX.            -30 dB MIN.            2250 VDC         </p>
--	--



ORIGINATED BY	DATE	TITLE	PART NO. / DRAWING NO.	STANDARD DIM. TOL. IN INCH	[ ] METRIC DIM. AS REFERENCE	<p>COMPONENTS FOR A CONNECTED PLANET</p>
CHOW WANGCHUNG	10-27-07	10/100 MagJack® (PoE)	08332X8RBU-F	.X	UNIT : INCH [mm]	
DRAWN BY	DATE	0833-2X8R-BU-F	FILE NAME	.XX	SCALE : N/A	
DENGPING	10-27-07		08332X8RBU-F_PA.DWG	.XXX	SIZE : A4	
						PAGE : 2

THE INFORMATION CONTAINED HEREIN IS CONSIDERED "PROPRIETARY" TO BEL FUSE INC. AND SHALL NOT BE COPIED, REPRODUCED OR DISCLOSED WITHOUT THE WRITTEN APPROVAL OF BEL FUSE INC.

PRELIMINARY



NOTES:

- PLASTIC HOUSING: THERMOPLASTIC PBT  
FLAMMABILITY RATING UL 94V-0
- CONTACT PLATING: 50 MICRO-INCH HARD GOLD PLATING
- OUTPUT PINS: TIN-COATED COPPER WIRE, DIA 0.018 INCH.
- METAL SHIELD: NICKEL PLATED ON COPPER ALLOY.  
(ALL GROUND LEADS ARE SOLDER DIPPED)

- JACK CAVITY CONFORMS TO FCC RULES AND REGULATIONS, PART 68 SUBPART F.
- MARK PART WITH MFG LOGO, MFG NAME, PART NUMBER, AND DATE CODE.

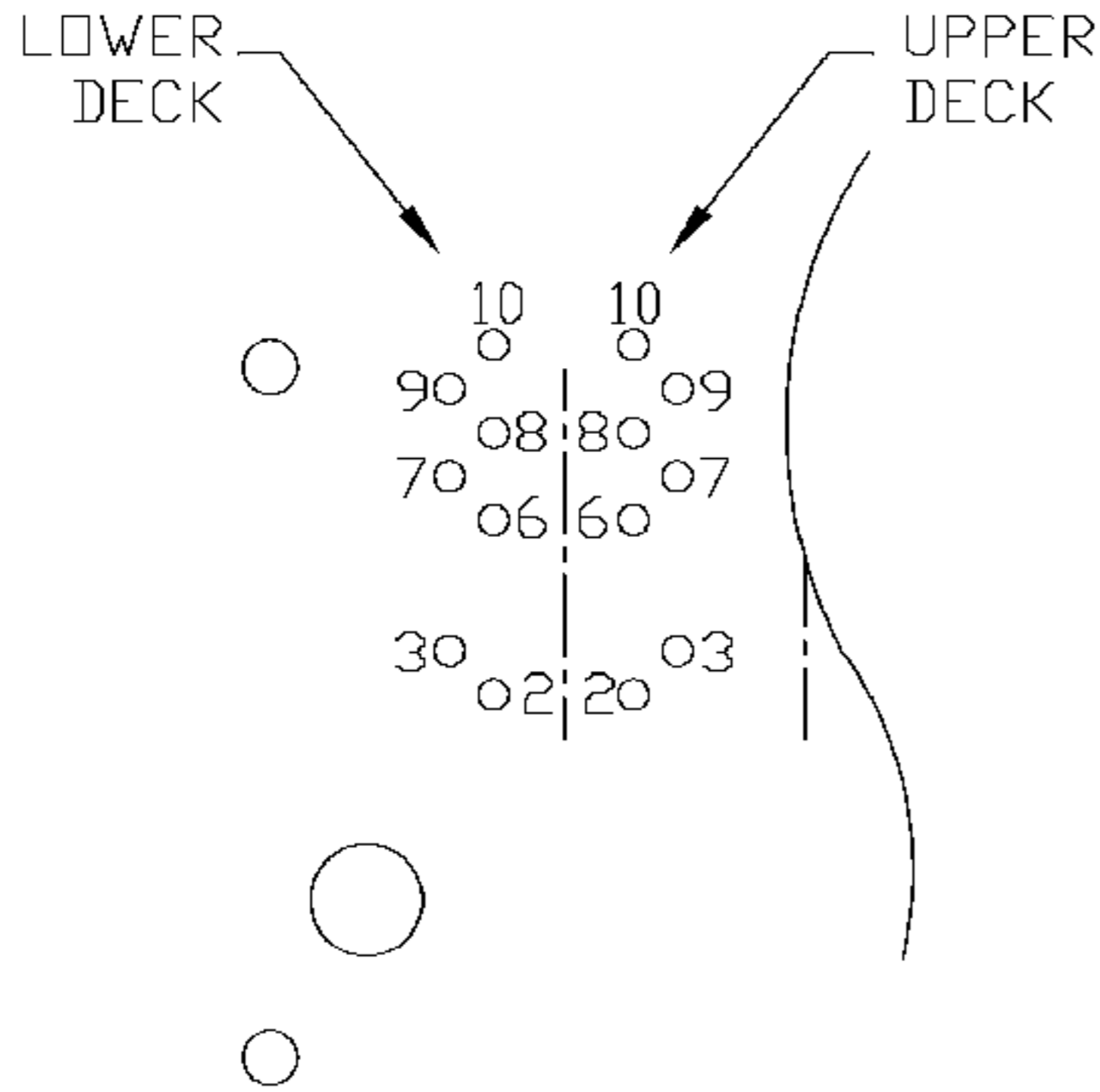
c US UL RECOGNIZED - FILE #E196366 AND E169987.  
3. RoHS COMPLIANCE, PER EU DIRECTIVE 2002/95/EC.

ORIGINATED BY CHEN BILL	DATE 10-27-07	TITLE 10/100 MagJack® (PoEp)	PART NO. / DRAWING NO. 08332X8RBU-F	STANDARD DIM. TOL. IN INCH	[ ] METRIC DIM. AS REFERENCE	 COMPONENTS FOR A CONNECTED PLANET	
DRAWN BY LIU QIN	DATE 10-27-07	0833-2X8R-BU-F	FILE NAME 08332X8RBU-F_PA.DWG	.X	UNIT : INCH [mm]		REV. : PA
				.XX	SCALE : N/A		SIZE : A4
				.XXX	±0.010	PAGE : 3	

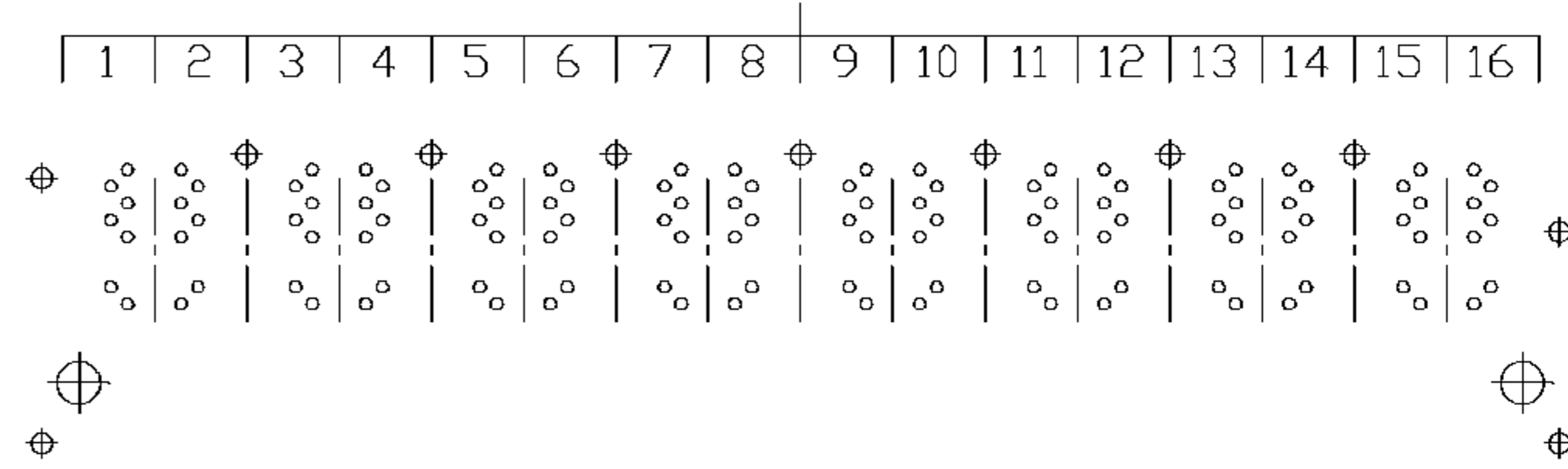
THE INFORMATION CONTAINED HEREIN IS CONSIDERED "PROPRIETARY" TO BEL FUSE INC. AND SHALL NOT BE COPIED, REPRODUCED OR DISCLOSED WITHOUT THE WRITTEN APPROVAL OF BEL FUSE INC.

RoHS  
2002/95/EC

PRELIMINARY



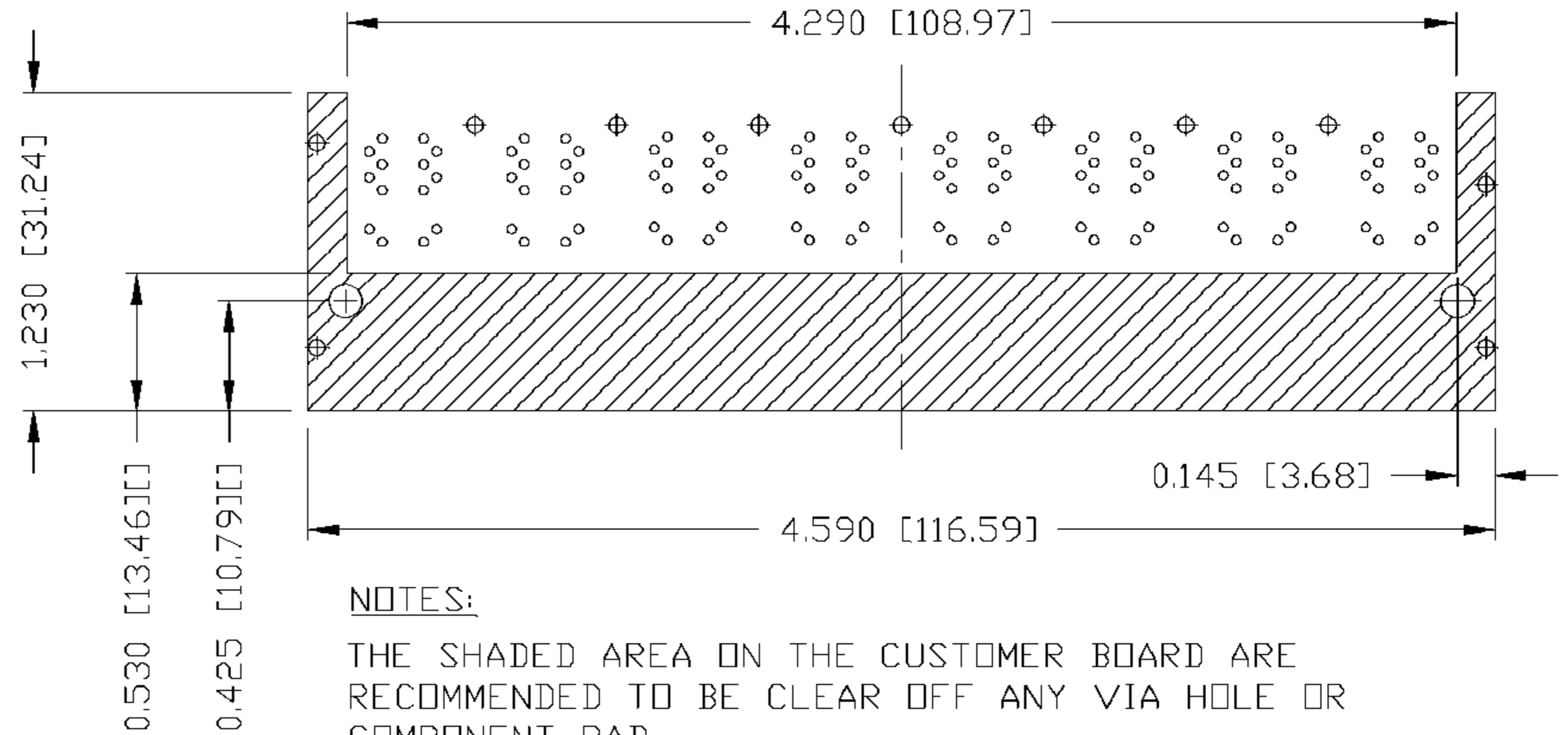
PORT ASSIGNMENT  
(COMPONENT SIDE VIEW)



PIN-OUT INFORMATION  
(COMPONENT SIDE VIEW)


10	COMMON CT
9	RD+
8	RD-
7	TD+
6	TD-
5	NO PIN
4	NO PIN
3	Vc-
2	Vc+
1	NO PIN

UNUSED PIN LOCATIONS MUST BE REMOVED TO ENSURE 2KV ISOLATION.



NOTES:

THE SHADED AREA ON THE CUSTOMER BOARD ARE RECOMMENDED TO BE CLEAR OFF ANY VIA HOLE OR COMPONENT PAD.

ORIGINATED BY CHEN BILL	DATE 10-27-07	TITLE 10/100 MagJack® (PoEp)	PART NO. / DRAWING NO. 08332X8RBU-F	STANDARD DIM. TOL. IN INCH	[ ] METRIC DIM. AS REFERENCE	 COMPONENTS FOR A CONNECTED PLANET
DRAWN BY LIU QIN	DATE 10-27-07	0833-2X8R-BU-F	FILE NAME 08332X8RBU-F_PA.DWG	.X	UNIT : INCH [mm]	
				.XX	SCALE : N/A	
				.XXX	±0.004	REV. : PA SIZE : A4 PAGE : 4

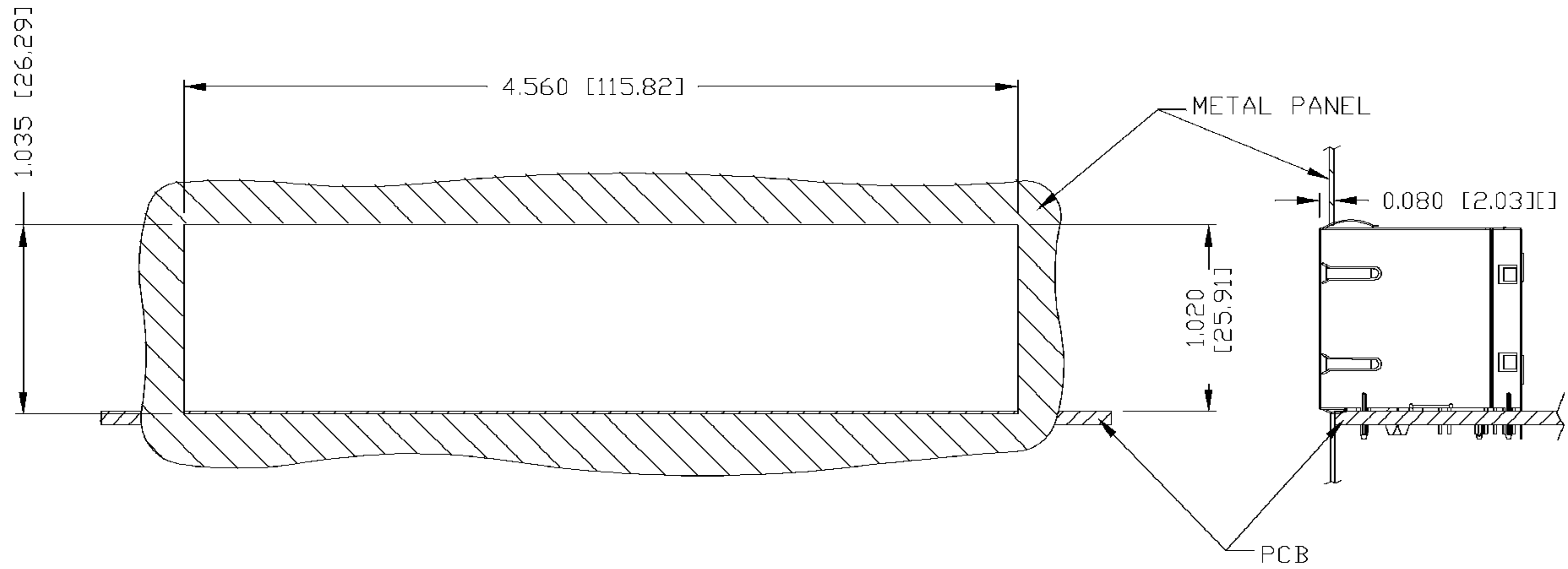


THE INFORMATION CONTAINED HEREIN IS CONSIDERED "PROPRIETARY" TO BEL FUSE INC. AND SHALL NOT BE COPIED, REPRODUCED OR DISCLOSED WITHOUT THE WRITTEN APPROVAL OF BEL FUSE INC.

PRELIMINARY



SUGGESTED PANEL OPENING



NOTE:

THE DISTANCE OF PANEL INSIDE SURFACE RELATIVE TO FRONT SURFACE OF PART IS ONLY A SUGGESTION. IN CASE THIS DISTANCE IS DIFFERENT, THE REQUIRED PANEL OPENING DIMENSIONS CHANGE ACCORDINGLY.

PACKING INFORMATION

PACKING TRAY : 0200-9999-B2 (TOP)  
0200-9999-B1 (BOTTOM)

PACKING QUANTITY : 10 PCS FINISHED GOODS PER TRAY  
7 TRAYS (70 PCS FINISHED GOODS) PER CARTON BOX

NOTE : CARDBOARDS ARE PLACED BETWEEN LAYERS OF PACKING TRAY INSIDE CARTON BOX (INCLUDE THE UPPERMOST AND LOWERMOST TRAY)

ORIGINATED BY CHEN BILL	DATE 10-27-07	TITLE 10/100 MagJack® (PoEp)	PART NO. / DRAWING NO. 08332X8RBU-F	STANDARD DIM. TOL. IN INCH		[ ] METRIC DIM. AS REFERENCE		bel COMPONENTS FOR A CONNECTED PLANET
				.X		UNIT : INCH [mm]	REV. : PA	
DRAWN BY LIU QIN	DATE 10-27-07	0833-2X8R-BU-F	FILE NAME 08332X8RBU-F_PA.DWG	.XX		SCALE : N/A	SIZE : A4	PAGE : 6
				.XXX	±0.004			