

ADAPTERS, In SERIES

Type F, DC - 3 GHz, 75 Ohm

SPECIFICATIONS:

Models: 5230, 5231 & 5232

Electrical:

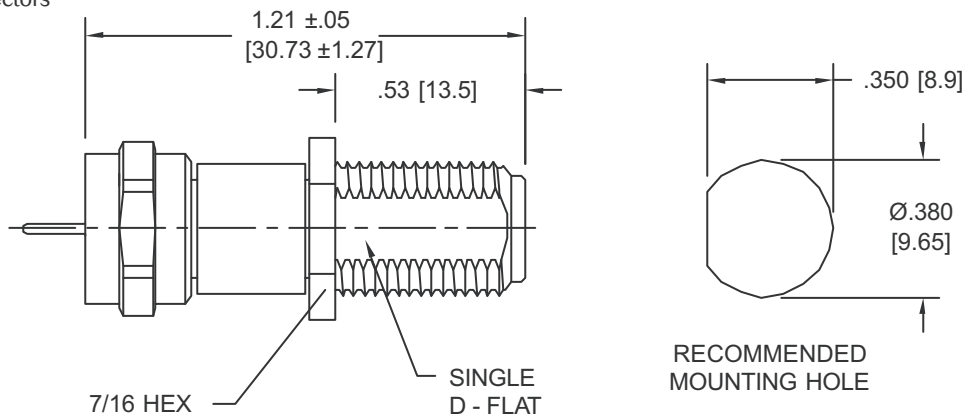
Frequency Range _____ DC - 3 GHz
VSWR _____
DC - 1 GHz _____ 1.15:1 Max.
1 - 2 GHz _____ 1.20:1 Max.
2 - 3 GHz _____ 1.30:1 Max.
Impedance _____ 75 Ohms
Operating Temp Range _____ -65°C to +125°C

Mechanical:

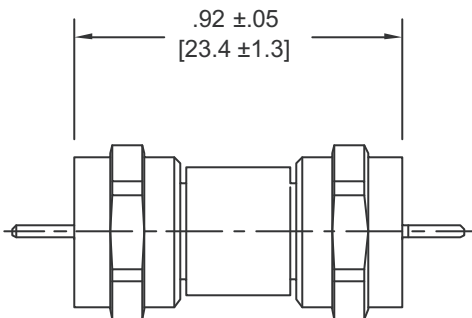
Connectors _____ Nickel Plated Brass
Conductors _____ Nickel Plated Brass &
Gold Plated Beryllium Copper

AEROFLEX
A passion for performance.

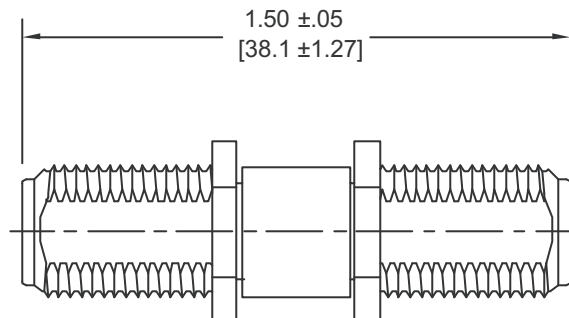
Model Number: **5230**
Male/Female Connectors



Model Number: **5231**
Male/Male Connectors



Model Number: **5232**
Female/Female Connectors



Note: Dimensions in Brackets are Expressed in Millimeters and are for Reference Only.

5230: REV E

AEROFLEX
INMET

Aeroflex / Inmet, Inc. • 300 Dino Drive, Ann Arbor, MI 48103 • U.S.A.
888-244-6638 or 734-426-5553 • FAX: 734-426-5557
www.aeroflex.com/inmet • inmet@aeroflex.com