

ADAPTERS, IN-SERIES

TNC, DC - 6 GHz, Economy

SPECIFICATIONS:

Models: 5186, 5187, 5194

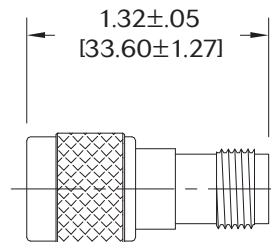
RoHS
Compliant

Electrical:	
Frequency Range _____	DC - 6.0 GHz
VSWR _____	See Below
Impedance _____	50 Ohms
Operating Temp Range _____	-45°C to +120°C
Mechanical:	
Connectors _____	Plated Brass
Conductors _____	Gold Plated Brass or Beryllium Copper



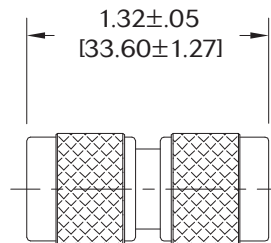
Model Number: **5194**
Male/Female Connectors

VSWR _____ 1.20:1 Max.



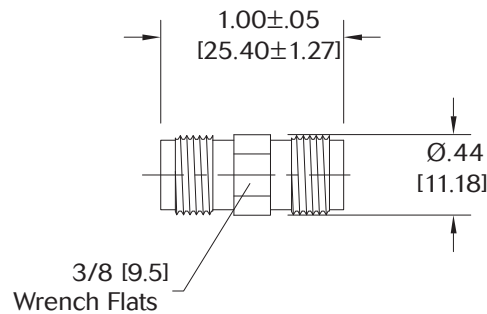
Model Number: **5187**
Male/Male Connectors

VSWR _____ 1.20:1 Max.



Model Number: **5186**
Female/Female Connectors

VSWR _____
DC - 2.5 GHz _____ 1.15:1 Max.
2.5 - 6 GHz _____ 1.35:1 Max.



Note: Dimensions in Brackets are Expressed in Millimeters and are for Reference Only.
Design specifications are subject to change without notice.
Contact factory for technical specifications before purchasing or use.

5194: REV E

