

# Adapters, In-Series

## Type N, Economy, DC - 6 GHz

### SPECIFICATIONS:

Models: 5185, 5188, 5189

#### Electrical:

Frequency Range \_\_\_\_\_ DC - 6.0 GHz  
 VSWR \_\_\_\_\_ 1.20:1 Max.  
 Impedance \_\_\_\_\_ 50 Ohms  
 Operating Temp Range \_\_\_\_\_ -45°C to +120°C

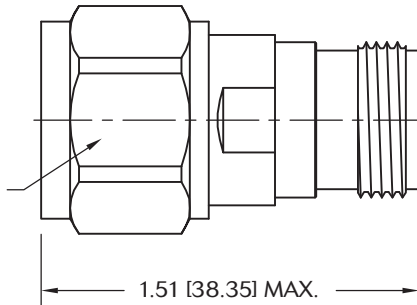
#### Mechanical:

Connectors \_\_\_\_\_ Plated Brass  
 Conductors \_\_\_\_\_ Gold Plated Beryllium Copper or Brass



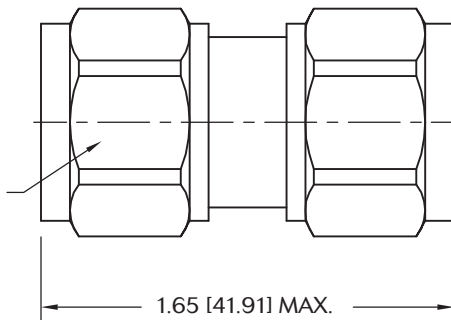
Model Number: **5189**  
 Male/Female Connectors

NUT SHOWN IS A HEX NUT  
 BUT UNIT MAY BE SUPPLIED  
 WITH KNURLED NUT.

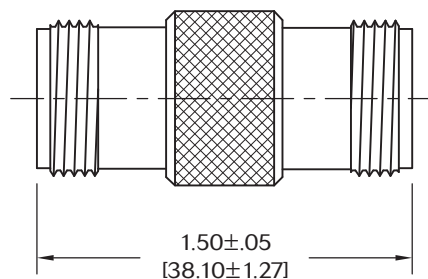


Model Number: **5188**  
 Male/Male Connectors

NUTS SHOWN ARE HEX NUTS  
 BUT UNIT MAY BE SUPPLIED  
 WITH KNURLED NUTS.



Model Number: **5185**  
 Female/Female Connectors



Note: Dimensions in Brackets are Expressed in Millimeters and are for Reference Only.  
 Design specifications are subject to change without notice.  
 Contact factory for technical specifications before purchasing or use.

5189: REV F



Aeroflex / Inmet, Inc. • 300 Dino Drive, Ann Arbor, MI 48103 • U.S.A.  
 888-244-6638 or 734-426-5553 • FAX: 734-426-5557  
 www.aeroflex.com/inmet • inmet@aeroflex.com