

# ADAPTERS, IN-SERIES

2.4mm, DC - 50 GHz

## SPECIFICATIONS:

Models: 5148, 5149, 5150

**RoHS**  
Compliant

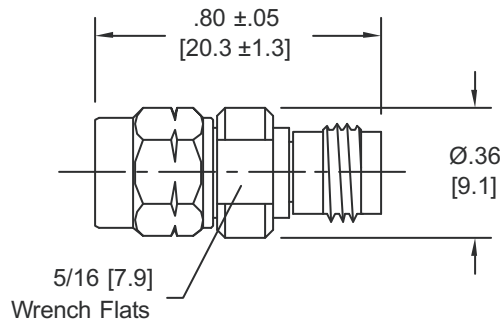
### Electrical:

Frequency Range \_\_\_\_\_ DC - 50 GHz  
 VSWR  
 DC - 18 GHz \_\_\_\_\_ 1.10:1 Max.  
 18 - 26.5 GHz \_\_\_\_\_ 1.20:1 Max.  
 26.5 - 50 GHz \_\_\_\_\_ 1.30:1 Max.  
 Impedance \_\_\_\_\_ 50 Ohms  
 Operating Temp Range \_\_\_\_\_ -65°C to +125°C

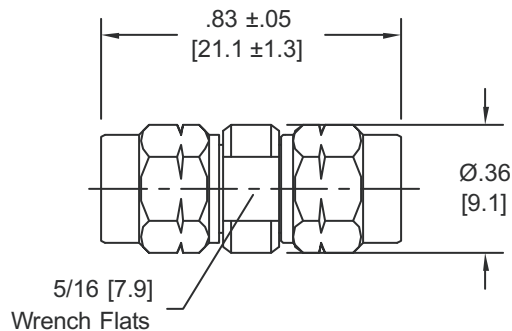
### Mechanical:

Connectors \_\_\_\_\_ Passivated Stainless Steel  
 Conductors \_\_\_\_\_ Gold Plated Beryllium Copper

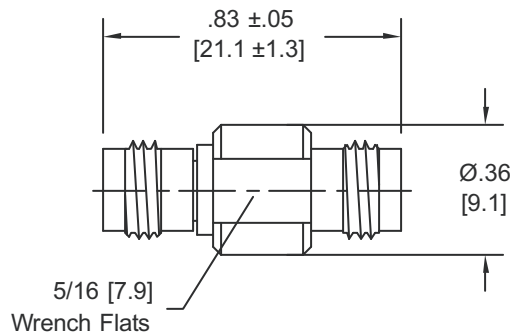
Model Number: **5150**  
 Male/Female Connectors



Model Number: **5149**  
 Male/Male Connectors



Model Number: **5148**  
 Female/Female Connectors



Note: Dimensions in Brackets are Expressed in Millimeters and are for Reference Only.

5150: REV D



Aeroflex / Inmet, Inc. • 300 Dino Drive, Ann Arbor, MI 48103 • U.S.A.  
 888-244-6638 or 734-426-5553 • FAX: 734-426-5557  
 www.aeroflex.com/inmet • inmet@aeroflex.com

