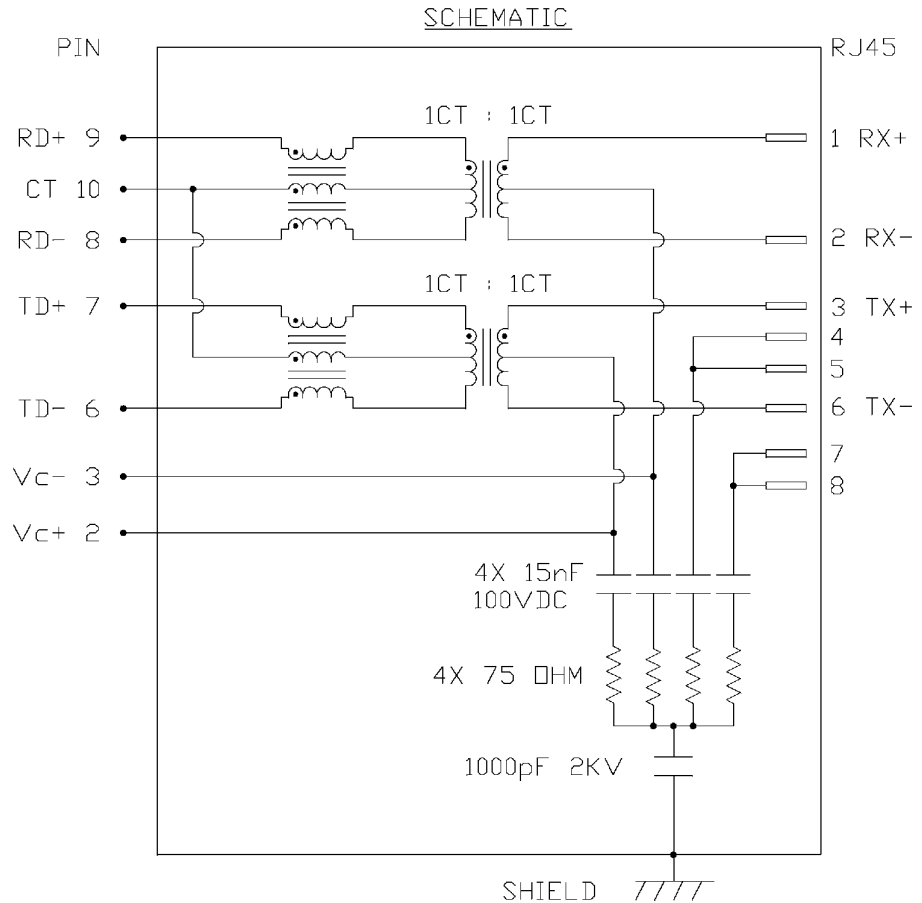


THE INFORMATION CONTAINED HEREIN IS CONSIDERED "PROPRIETARY" TO BEL FUSE INC. AND SHALL NOT BE COPIED, REPRODUCED OR DISCLOSED WITHOUT THE WRITTEN APPROVAL OF BEL FUSE INC.



ELECTRICAL CHARACTERISTICS @ 25°C

<p> <b>URNS RATIO</b> 1CT : 1CT ±2%  <b>DCL @ 0.1V, 100KHz</b>          8mA DC BIAS 350 µH MIN.  <b>INSERTION LOSS</b>          100KHz TO 100MHz -1.5 dB MAX.  <b>RETURN LOSS (MIN.)</b>          2MHz-30MHz -16 dB MIN.          60MHz-80MHz -10 dB MIN.  <b>LEAKAGE INDUCTANCE</b>          PRIMARY W/ SECONDARY SHORTED 0.25 µH MAX. @ 1MHz  <b>D.C. RESISTANCE</b>          (9-8)=(7-6) 1.40 OHM .          (RJ1-RJ2)=(RJ3-RJ6) 1.00 OHM .  <b>INTERWINDING CAPACITANCE</b>          PER CHANNEL (PRI. to SEC.) 40 pF MAX.  <b>XTALK</b>          100KHz TO 100MHz -30 dB MIN.  <b>HIPOT (Isolation Voltage):</b> 2250 VDC          100% OF PRODUCTION TESTED TO COMPLY WITH          IEEE 802.3 ISOLATION REQUIREMENTS.  <b>BALANCED DC LINE CURRENT</b> 350 mA MAX. @ 57 VDC CONTINUOUS          500 mA MAX. @ 57 VDC FOR 200 MILLISECONDS       </p>
---



<b>ORIGINATED BY</b>	<b>DATE</b>
CHOW WANCHUNG	11-13-07
<b>DRAWN BY</b>	<b>DATE</b>
LEE WEIDE	11-13-07

<b>TITLE</b>
2X8 MagJack® (VOIP)
0833-2X8R-55-F

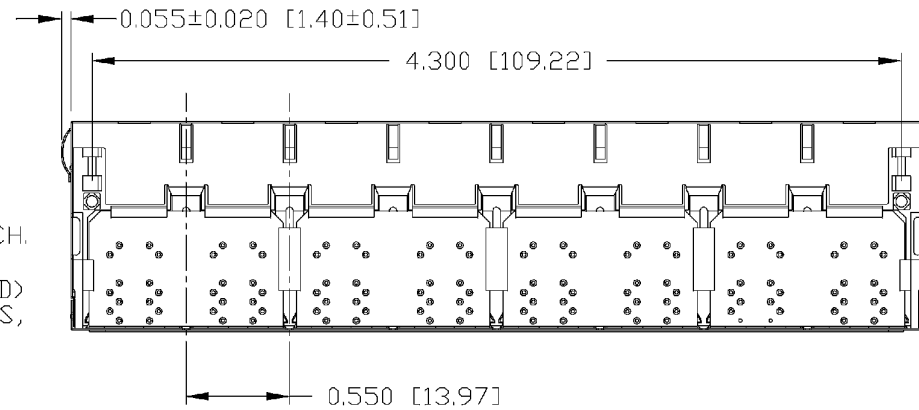
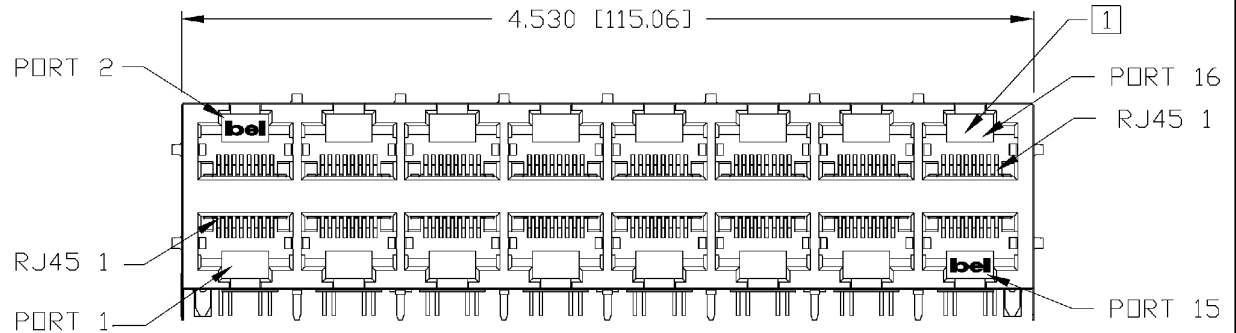
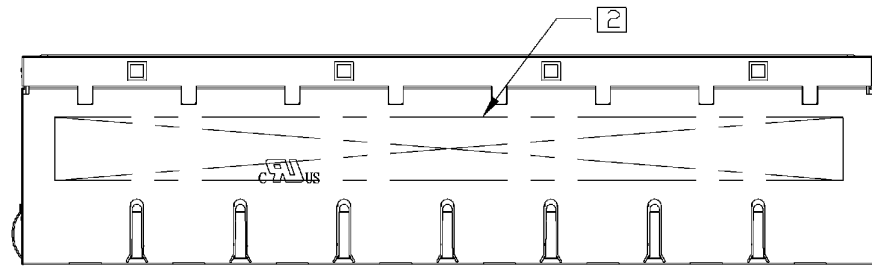
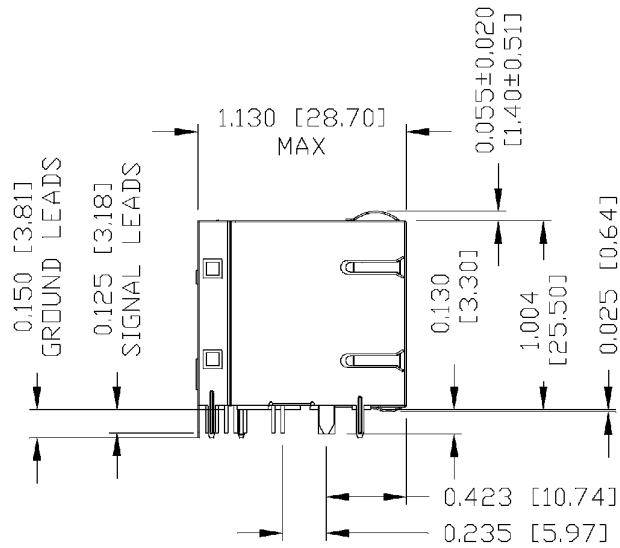
<b>PART NO. / DRAWING NO.</b>
08332X8R55-F
<b>FILE NAME</b>
08332X8R55-F_A.DWG

<b>STANDARD DIM.</b>	<b>[ ] METRIC DIM. AS REFERENCE</b>
TOL. IN INCH	UNIT : INCH [mm]
.X	SCALE : N/A
.XX	SIZE : A4
.XXX	PAGE : 2

REV. : A
SIZE : A4
PAGE : 2



THE INFORMATION CONTAINED HEREIN IS CONSIDERED "PROPRIETARY" TO BEL FUSE INC. AND SHALL NOT BE COPIED, REPRODUCED OR DISCLOSED WITHOUT THE WRITTEN APPROVAL OF BEL FUSE INC.



**NOTES:**

PLASTIC HOUSING: THERMOPLASTIC PBT  
 FLAMMABILITY RATING UL 94V-0  
 CONTACT PLATING: 50 MICRO-INCH HARD GOLD PLATING  
 OUTPUT PINS: TIN-COATED COPPER WIRE, DIA 0.018 INCH.  
 METAL SHIELD: NICKEL PLATED ON COPPER ALLOY.  
 (ALL GROUND LEADS ARE SOLDER DIPPED)

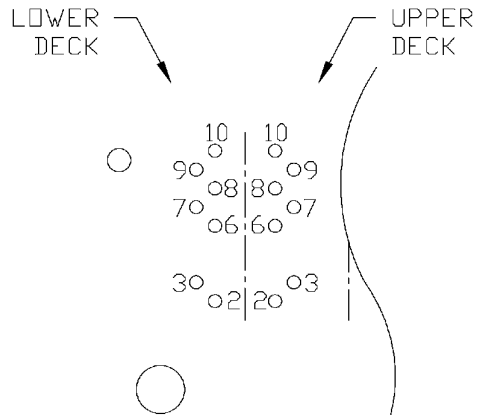
- 1. JACK CAVITY CONFORMS TO FCC RULES AND REGULATIONS, PART 68 SUBPART F.
- 2. MARK PART WITH MFG LOGO , MFG NAME , PART NUMBER, AND DATE CODE .

**UL** US UL RECOGNIZED - FILE #E196366 AND E169987.  
 RoHS COMPLIANT, PER EU DIRECTIVE 2002/95/EC

ORIGINATED BY CHEN BILL	DATE 11-13-07	TITLE 2X8 MagJack® (V0IP) 0833-2X8R-55-F	PART NO. / DRAWING NO. 08332X8R55-F	STANDARD DIM. TOL. IN INCH	[ ] METRIC DIM. AS REFERENCE	 COMPONENTS FOR A CONNECTED PLANET
DRAWN BY LIU QIN	DATE 11-13-07		FILE NAME 08332X8R55-F_A.DWG	.X .XX .XXX ±0.010	UNIT : INCH [mm] SCALE : N/A	

THE INFORMATION CONTAINED HEREIN IS CONSIDERED "PROPRIETARY" TO BEL FUSE INC. AND SHALL NOT BE COPIED, REPRODUCED OR DISCLOSED WITHOUT THE WRITTEN APPROVAL OF BEL FUSE INC.

RoHS  
2002/95/EC

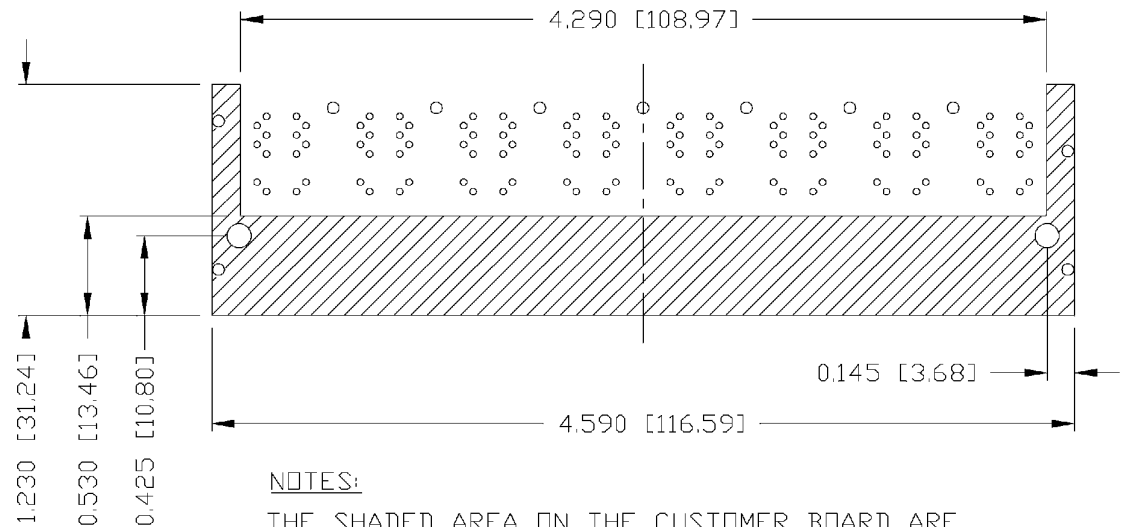
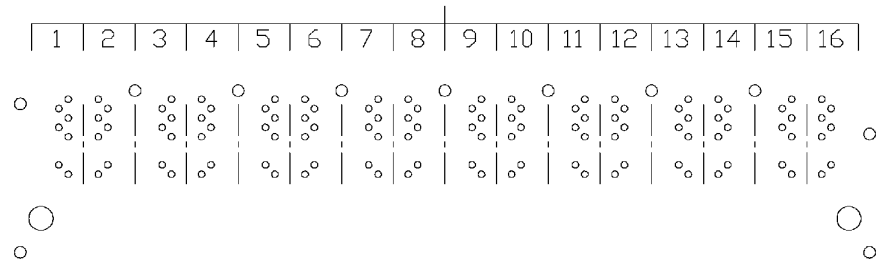


PIN-OUT INFORMATION  
(COMPONENT SIDE VIEW)

10	COMMON CT
9	RD+
8	RD-
7	TD+
6	TD-
5	NO PIN
4	NO PIN
3	V <sub>C-</sub>
2	V <sub>C+</sub>
1	NO PIN

UNUSED PIN LOCATIONS MUST BE REMOVED TO ENSURE 2KV ISOLATION.

PORT ASSIGNMENT  
(COMPONENT SIDE VIEW)



NOTES:

THE SHADED AREA ON THE CUSTOMER BOARD ARE RECOMMENDED TO BE CLEAR OFF ANY VIA HOLE OR COMPONENT PAD.

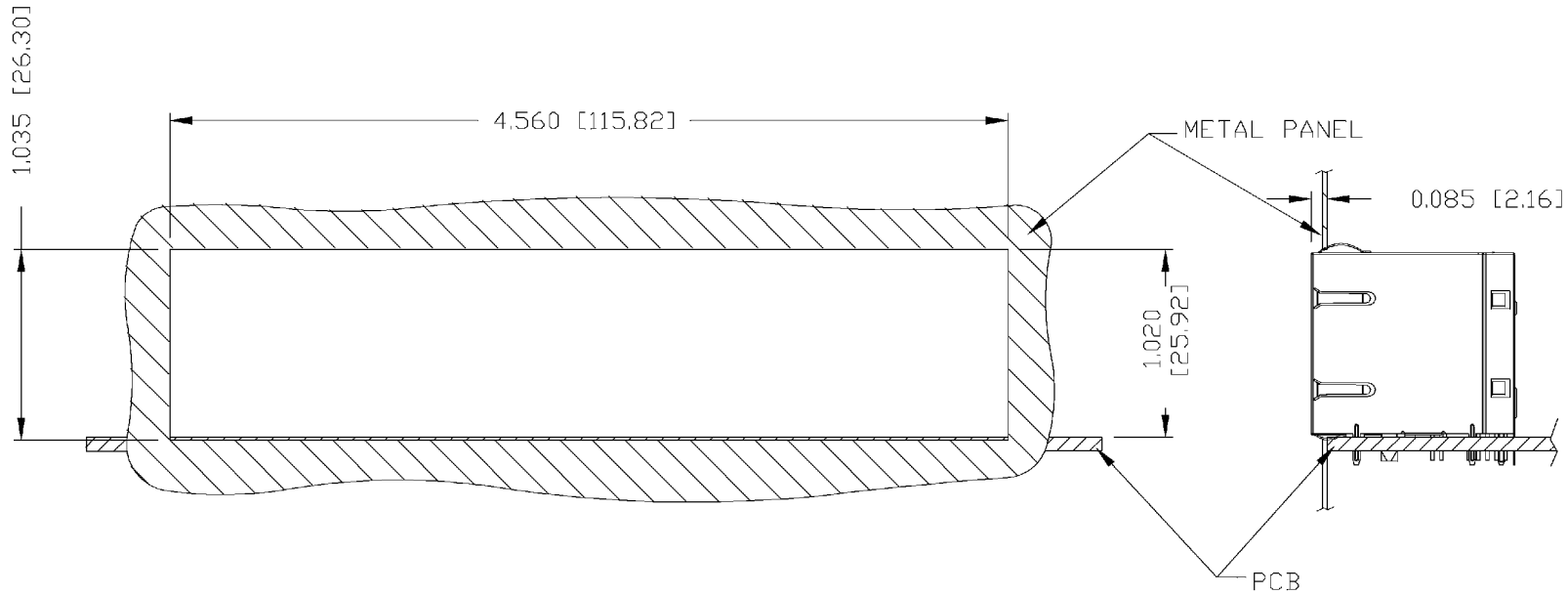
ORIGINATED BY CHEN BILL	DATE 11-13-07	TITLE 2X8 MagJack® (VOIP) 0833-2X8R-55-F	PART NO. / DRAWING NO. 08332X8R55-F	STANDARD DIM. TOL. IN INCH	[ ] METRIC DIM. AS REFERENCE	 COMPONENTS FOR A CONNECTED PLANET
DRAWN BY LIU QIN	DATE 11-13-07		FILE NAME 08332X8R55-F_A.DWG	.X .XX .XXX	UNIT : INCH [mm] SCALE : N/A	
				±0.004		



THE INFORMATION CONTAINED HEREIN IS CONSIDERED "PROPRIETARY" TO BEL FUSE INC. AND SHALL NOT BE COPIED, REPRODUCED OR DISCLOSED WITHOUT THE WRITTEN APPROVAL OF BEL FUSE INC.



SUGGESTED PANEL OPENING



NOTE:

THE DISTANCE OF PANEL INSIDE SURFACE RELATIVE TO FRONT SURFACE OF PART IS ONLY A SUGGESTION. IN CASE THIS DISTANCE IS DIFFERENT, THE REQUIRED PANEL OPENING DIMENSIONS CHANGE ACCORDINGLY.

PACKING INFORMATION

PACKING TRAY : 0200-9999-B2 (TOP)  
0200-9999-B1 (BOTTOM)

PACKING QUANTITY : 10 PCS FINISHED GOODS PER TRAY  
7 TRAYS (70 PCS FINISHED GOODS) PER CARTON BOX

NOTE : CARDBOARDS ARE PLACED BETWEEN LAYERS OF PACKING TRAY INSIDE CARTON BOX  
(INCLUDE THE UPPERMOST AND LOWERMOST TRAY)

ORIGINATED BY CHEN BILL	DATE 11-13-07	TITLE 2X8 MagJack® (VOIP) 0833-2X8R-55-F	PART NO. / DRAWING NO. 08332X8R55-F	STANDARD DIM. TOL. IN INCH	[ ] METRIC DIM. AS REFERENCE	bel COMPONENTS FOR A CONNECTED PLANET
DRAWN BY LIU QIN	DATE 11-13-07		FILE NAME 08332X8R55-F_A.DWG	.X .XX .XXX	±0.004	