

ADAPTERS, IN-SERIES

SMA, DC-18 GHz, Bulkhead Mount

SPECIFICATIONS:

Models: 5205, 5205/AU

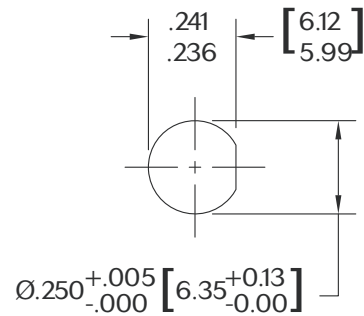
RoHS
Compliant

Electrical:

Frequency Range _____ DC - 18.0 GHz
 VSWR
 DC - 4 GHz _____ 1.05:1 Max.
 4 - 8 GHz _____ 1.10:1 Max.
 8 - 18 GHz _____ 1.15:1 Max.
 Nominal Impedance _____ 50 Ohms
 Operating Temp Range _____ -55°C to +125°C

Mechanical:

Connectors _____ See Below
Mates with MILSTD-348
 Conductors _____ Gold Plated Beryllium Copper
 Nut & Washer: _____ Passivated Stainless Steel



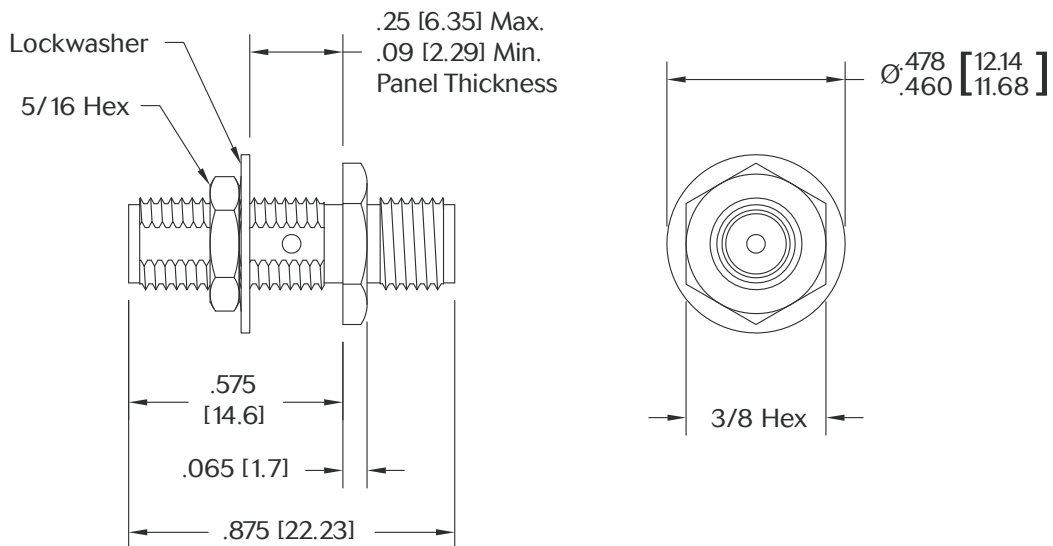
Recommended Mounting Hole

Model Number: **5205**

Connectors _____ Passivated Stainless Steel

Model Number: **5205/AU**

Connectors _____ Gold Plated Stainless Steel



Panel Nut, Lock Washer & O-Ring are Shipped Unassembled

Note: Dimensions in Brackets are Expressed in Millimeters and are for Reference Only. Design, specifications are subject to change without notice. Contact factory for technical specifications before purchasing and/or use.

5205 REV G

