

THE INFORMATION CONTAINED HEREIN IS CONSIDERED "PROPRIETARY" TO BEL FUSE INC. AND SHALL NOT BE COPIED, REPRODUCED OR DISCLOSED WITHOUT THE WRITTEN APPROVAL OF BEL FUSE INC.

PRELIMINARY

ELECTRICAL CHARACTERISTICS @ 25°C

TURNS RATIO

TP1	1CT : 1CT ±2%
TP2	1CT : 1CT ±2%
TP3	1CT : 1CT ±2%
TP4	1CT : 1CT ±2%

□CL @ 100kHz/100mVRMS

8mA DC BIAS 350µH MIN.

INS. LOSS

0.1MHz TO 1MHz	-1.1 dB MAX
1MHz TO 65MHz	-0.5 dB MAX
65MHz TO 100MHz	-0.8 dB MAX
100MHz TO 125MHz	-1.2 dB MAX

RET. LOSS (MIN)

0.5MHz-40MHz	-18 dB
40MHz-100MHz	-12+20LOG(f/80MHz) dB

CM TO CM REJ

100kHz - 100MHz -30 dB MIN

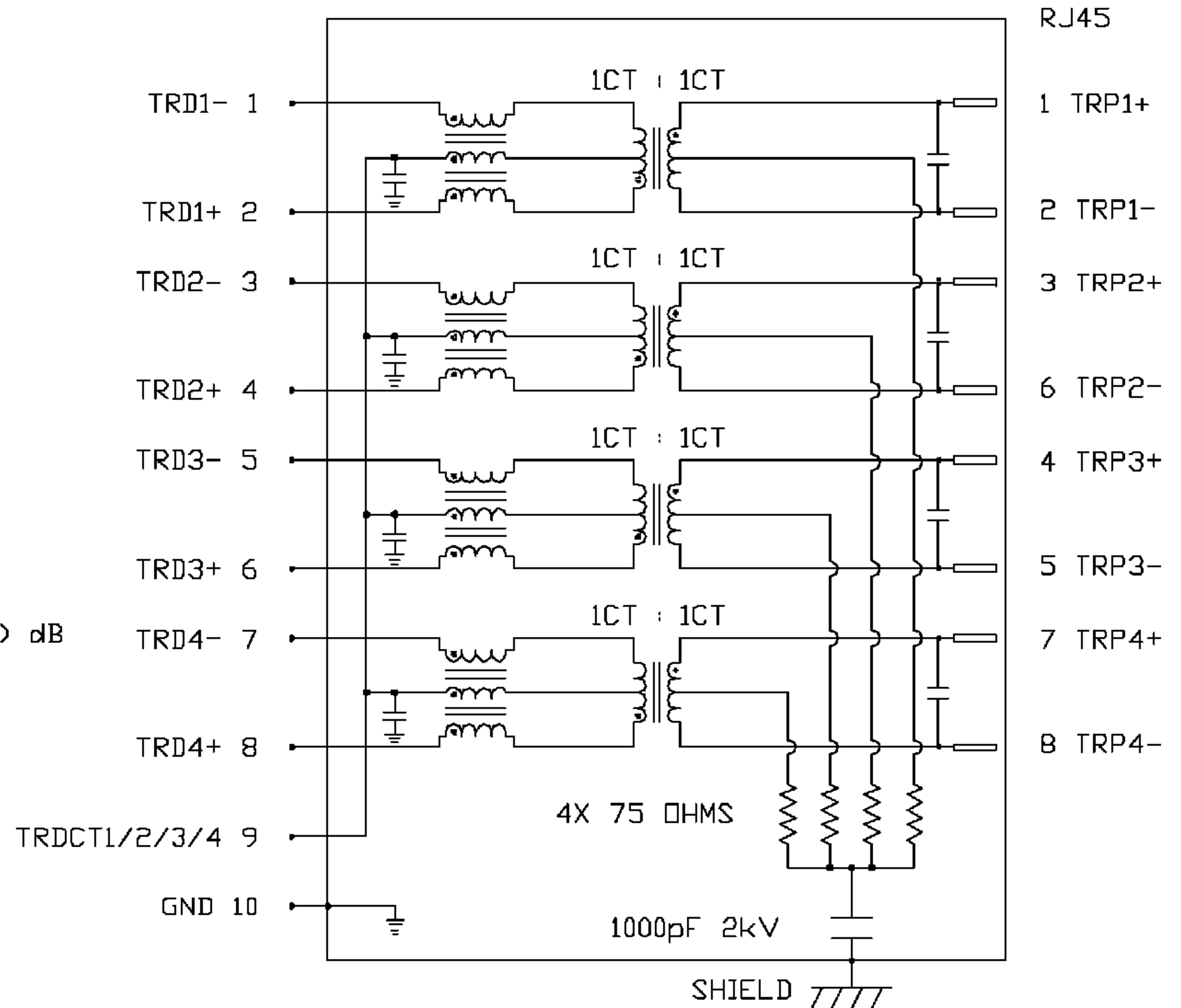
CM TO DM REJ

100kHz - 100MHz -35 dB MIN

HIPOT (Isolation Voltage):

1500 Vrms

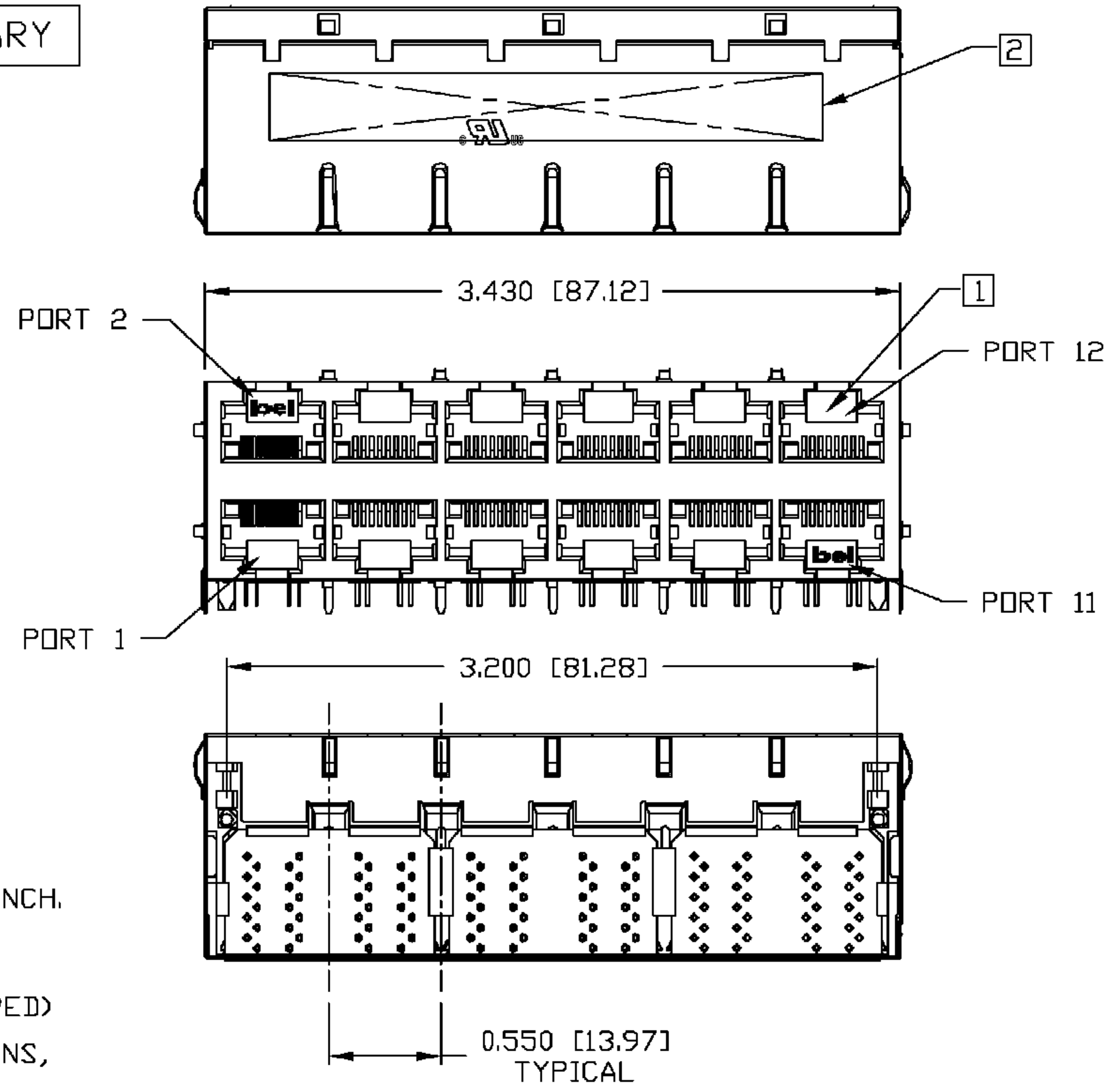
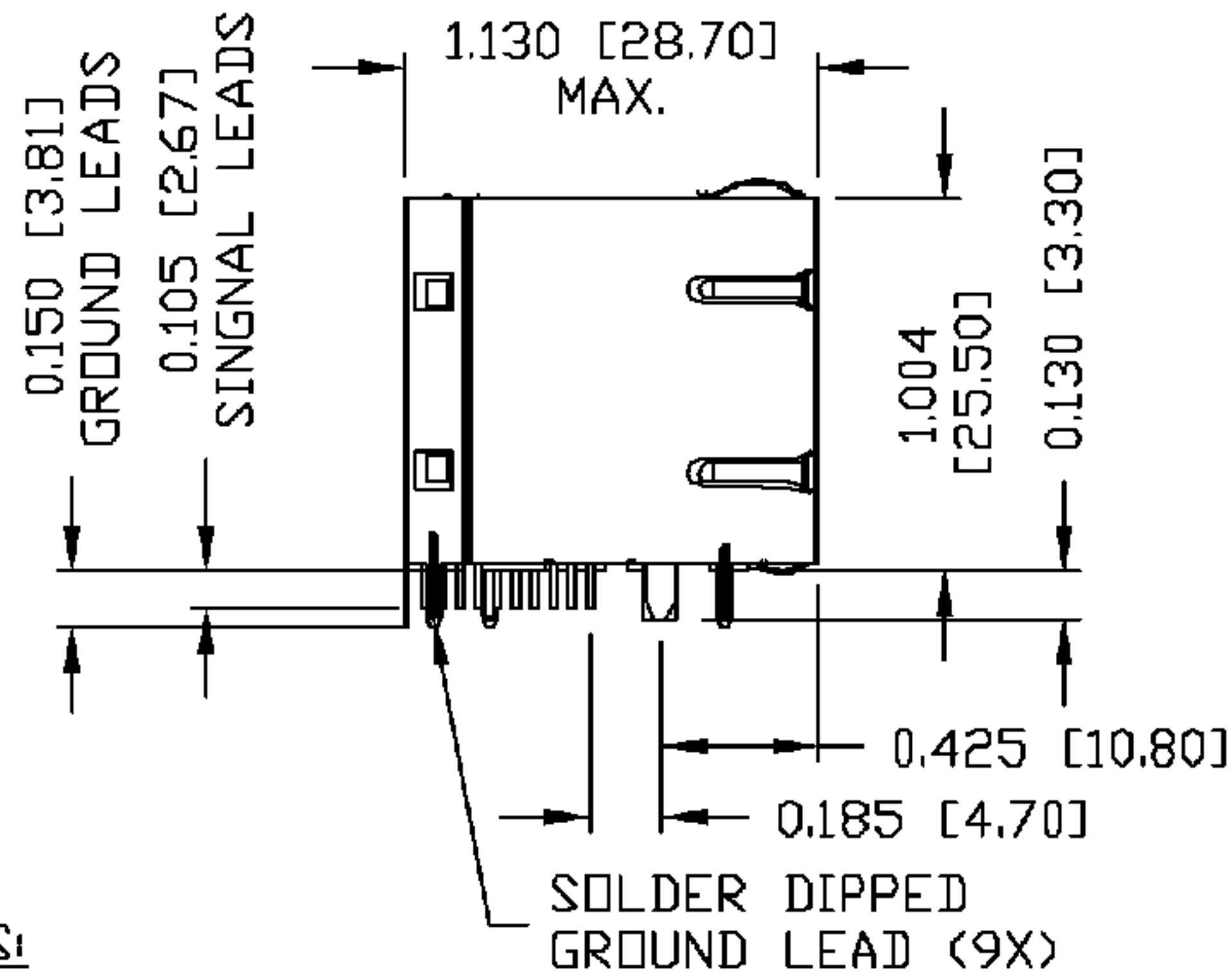
SCHEMATIC



ORIGINATED BY CHUNG	DATE 04-22-05	TITLE 2X6 glgabit MagJack® (0.105" PIN LENGTH OF 54N)	PART NO. / DRAWING NO. 0833-2X6R-S3	STANDARD DIM. TOL. IN INCH	[ ] METRIC DIM. AS REFERENCE	 COMPONENTS CONNECTED PLANET					
DRAWN BY DE	DATE 04-22-05		FILE NAME 08332X6RS3PA.DWG	<table border="0"> <tr> <td>.X</td> <td></td> </tr> <tr> <td>.XX</td> <td></td> </tr> <tr> <td>.XXX</td> <td></td> </tr> </table>	.X			.XX		.XXX	
.X											
.XX											
.XXX											
					SCALE : N/A	SIZE : A4					
						PAGE : 2					

THE INFORMATION CONTAINED HEREIN IS CONSIDERED "PROPRIETARY" TO BEL FUSE INC. AND SHALL NOT BE COPIED, REPRODUCED OR DISCLOSED WITHOUT THE WRITTEN APPROVAL OF BEL FUSE INC.

PRELIMINARY



NOTES:

PLASTIC HOUSING: THERMOPLASTIC PBT  
FLAMMABILITY RATING UL 94V-0  
CONTACT PLATING: 50 MICRO-INCH HARD GOLD PLATING  
OUTPUT PINS: TIN-COATED COPPER WIRE, DIA 0.018 INCH.  
SOLDERABILITY: PER MIL STD. 202, METHOD 208.  
METAL SHIELD: NICKEL PLATED COPPER ALLOY.  
(ALL GROUND LEADS ARE SOLDER DIPPED)

- [1] JACK CAVITY CONFORMS TO FCC RULES AND REGULATIONS, PART 68 SUBPART F.
- [2] MARK PART WITH MFG LOGO, MFG NAME, PART NUMBER, AND DATE CODE.

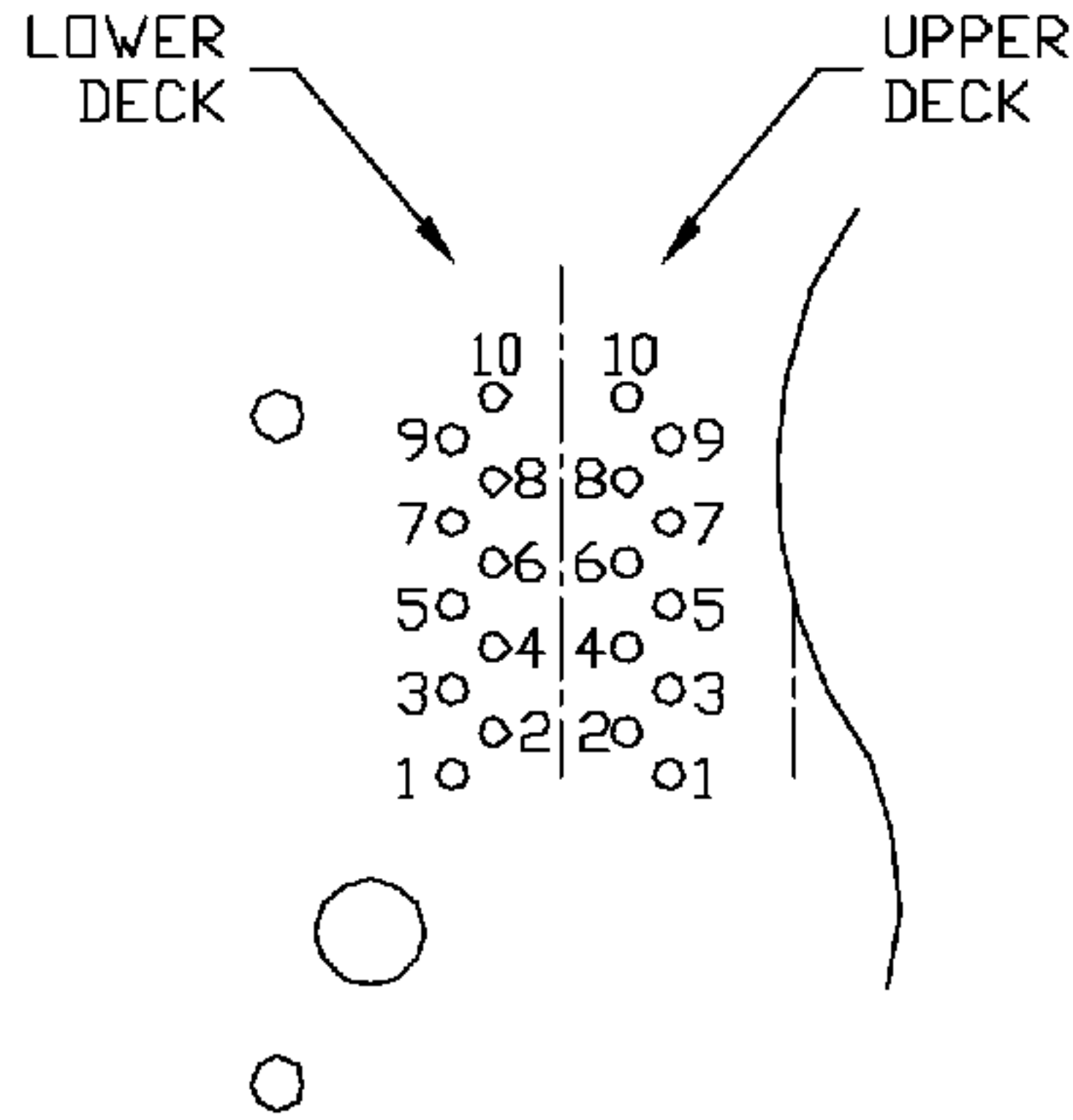
UL US UL RECOGNIZED - FILE #E196366 AND E169987.

ORIGINATED BY	DATE	TITLE	PART NO. / DRAWING NO.	STANDARD DIM. TOL. IN INCH	[ ] METRIC DIM. AS REFERENCE
TAO	04-22-05	2X6 gigabit MagJack®	0833-2X6R-S3	X	UNIT : INCH [mm] REV. : PA
DRAWN BY	DATE	(0.105" PIN LENGTH OF 54N)	FILE NAME	.XX	SCALE : N/A SIZE : A4
QIN	04-22-05		08332X6RS3PA.DWG	.XXX ±0.010	⊕ --- PAGE : 3



THE INFORMATION CONTAINED HEREIN IS CONSIDERED "PROPRIETARY" TO BEL FUSE INC. AND SHALL NOT BE COPIED, REPRODUCED OR DISCLOSED WITHOUT THE WRITTEN APPROVAL OF BEL FUSE INC.

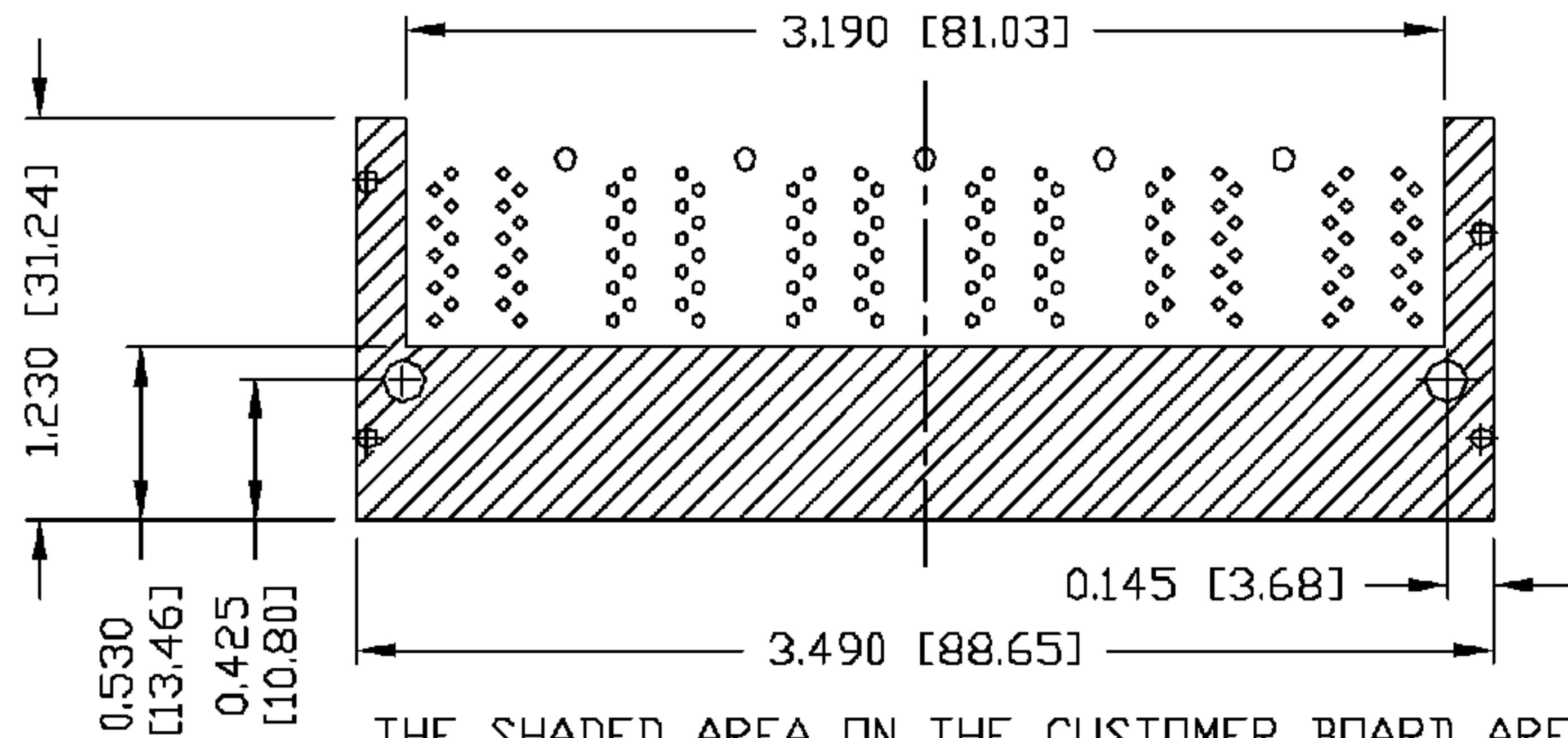
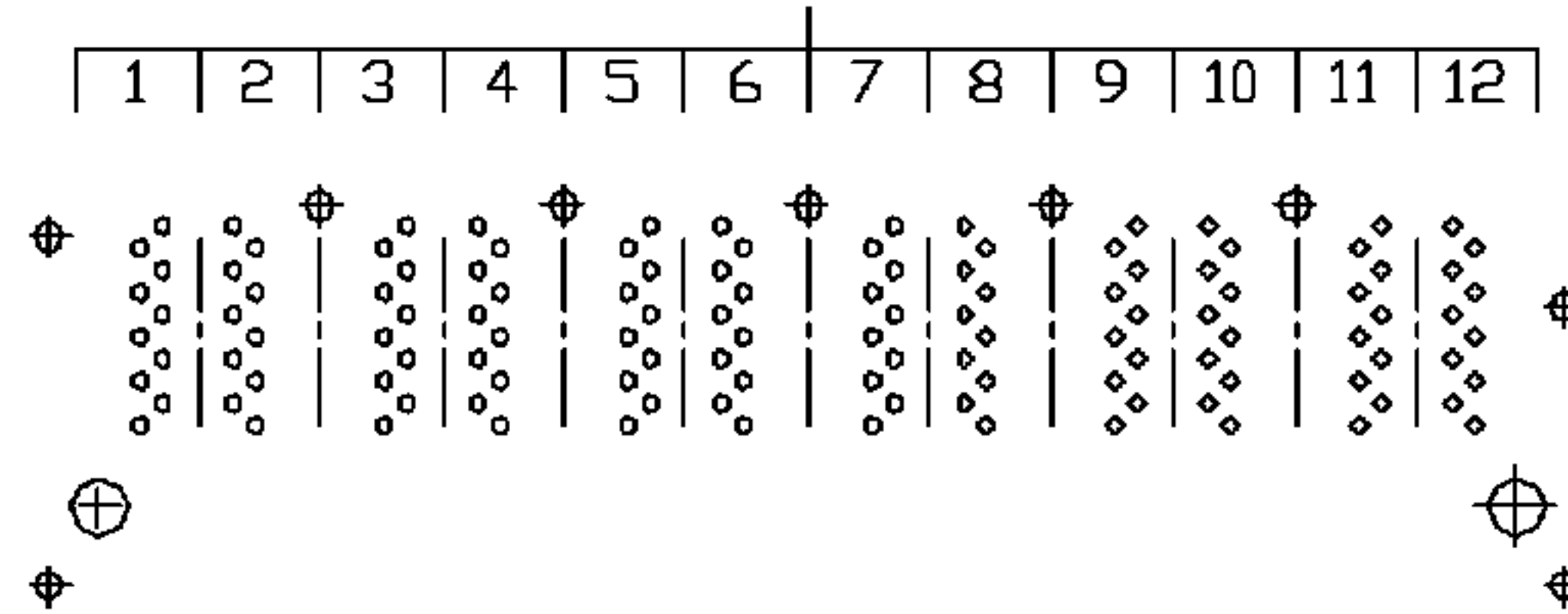
PRELIMINARY




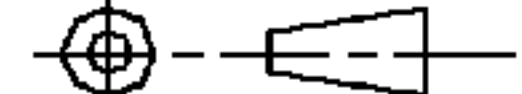
PIN-OUT INFORMATION  
(COMPONENT SIDE VIEW)

10	GND
9	TRCT1/2/3/4
8	TRD 4+
7	TRD 4-
6	TRD 3+
5	TRD 3-
4	TRD 2+
3	TRD 2-
2	TRD 1+
1	TRD 1-

PORT ASSIGNMENT  
(COMPONENT SIDE VIEW)

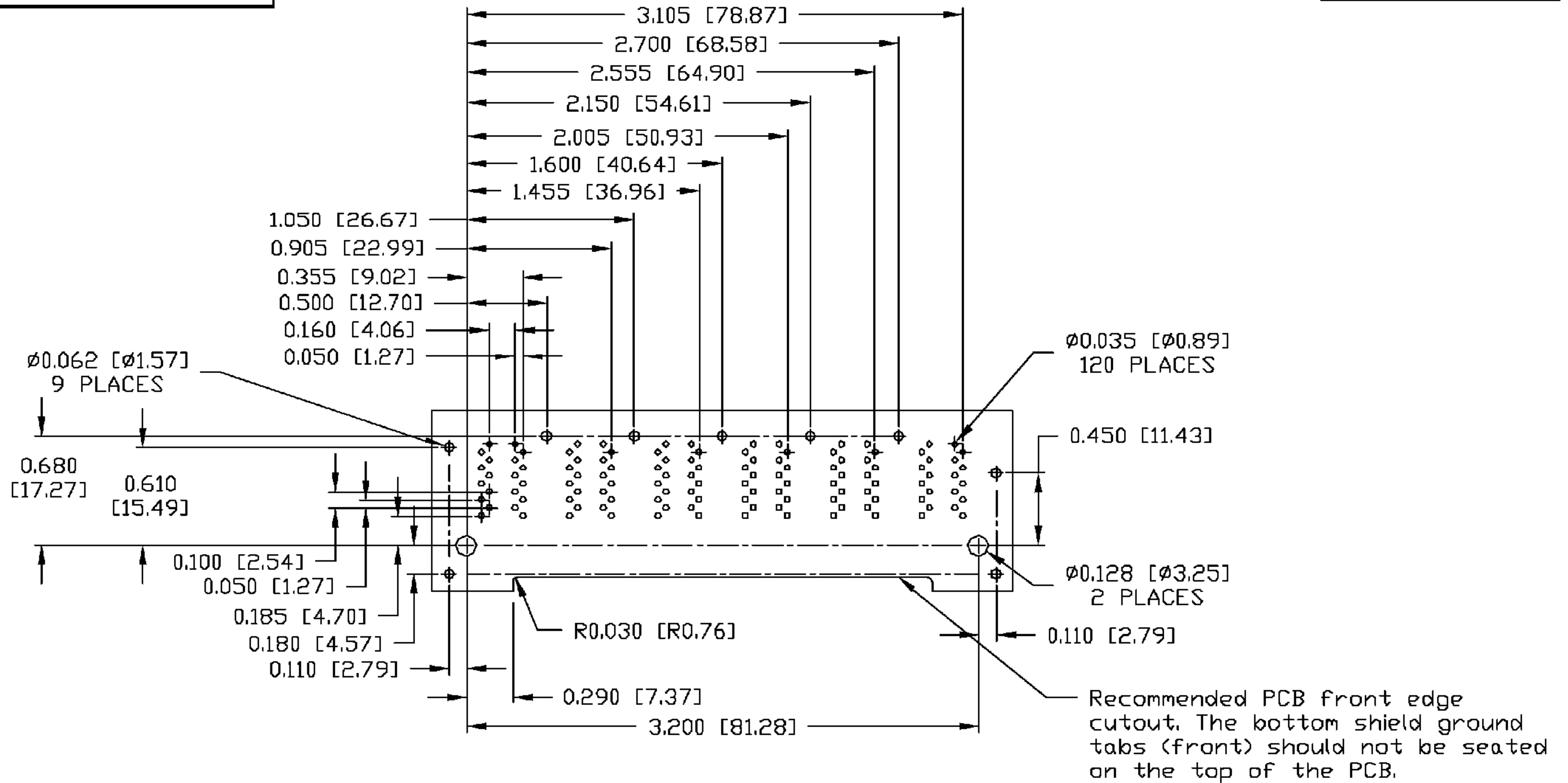


THE SHADED AREA ON THE CUSTOMER BOARD ARE RECOMMENDED TO BE CLEAR OFF ANY VIA HOLE OR COMPONENT PAD.

ORIGINATED BY TAD	DATE 04-22-05	TITLE 2X6 gigabit MagJack® (0.105" PIN LENGTH OF 54N)	PART NO. / DRAWING NO. 0833-2X6R-S3	STANDARD DIM. TOL. IN INCH	[ ] METRIC DIM. AS REFERENCE	 COMPONENTS ARE CONNECTED PLANET
DRAWN BY QIN	DATE 04-22-05	FILE NAME 08332X6RS3PA.DWG	.X	UNIT : INCH [mm]	REV. : PA	
			.XX	SCALE : N/A	SIZE : A4	
			.XXX	±0.010		PAGE : 4

THE INFORMATION CONTAINED HEREIN IS CONSIDERED "PROPRIETARY" TO BEL FUSE INC. AND SHALL NOT BE COPIED, REPRODUCED OR DISCLOSED WITHOUT THE WRITTEN APPROVAL OF BEL FUSE INC.

PRELIMINARY

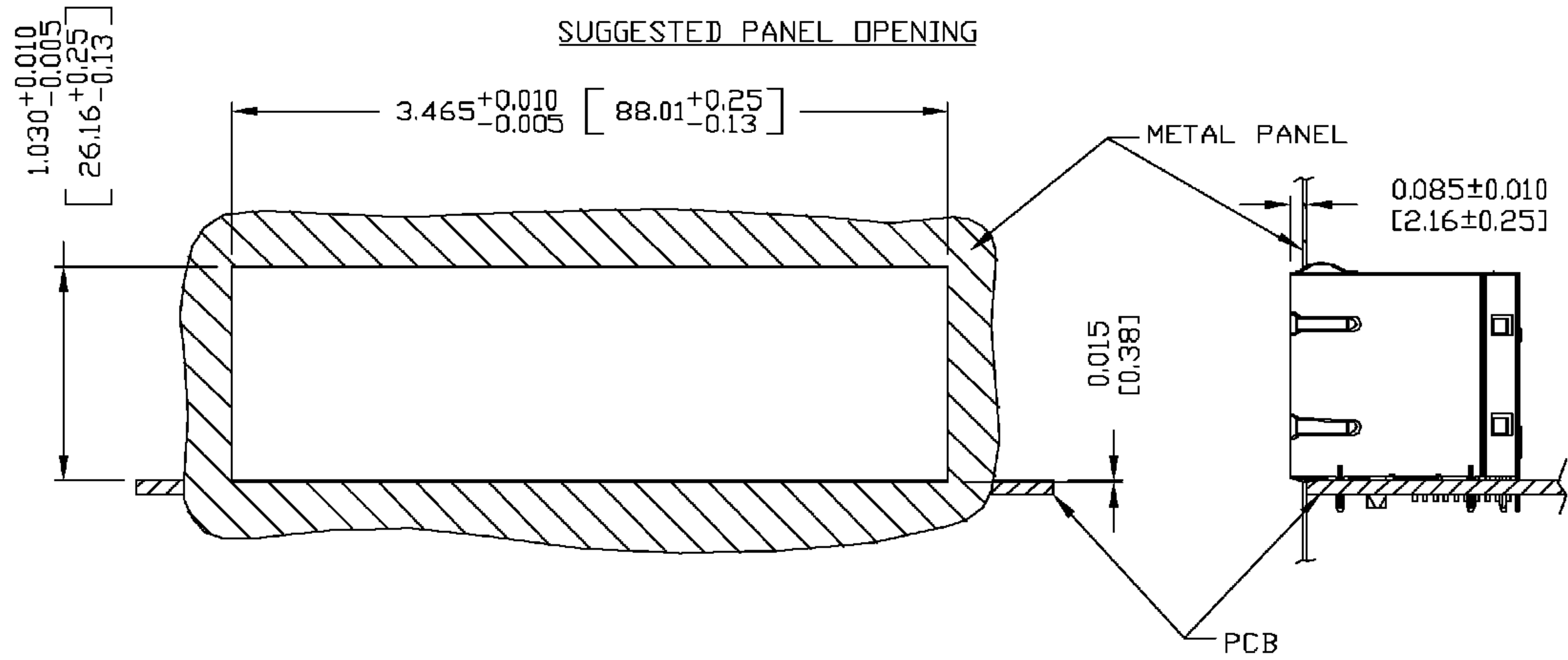


SUGGESTED FOOTPRINT  
 (COMPONENT SIDE VIEW)

ORIGINATED BY TAD	DATE 04-22-05	TITLE 2X6 gigabit MagJack® (0.105" PIN LENGTH OF 54N)	PART NO. / DRAWING NO. 0833-2X6R-S3	STANDARD DIM. TOL. IN INCH	[ ] METRIC DIM. AS REFERENCE	 COMPONENTS ARE CONNECTED PLANET
DRAWN BY QIN	DATE 04-22-05	FILE NAME 08332X6RS3PA.DWG	.X	UNIT : INCH [mm]	REV. : PA	
			.XX	SCALE : N/A	SIZE : A4	
			.XXX		PAGE : 5	

THE INFORMATION CONTAINED HEREIN IS CONSIDERED "PROPRIETARY" TO BEL FUSE INC. AND SHALL NOT BE COPIED, REPRODUCED OR DISCLOSED WITHOUT THE WRITTEN APPROVAL OF BEL FUSE INC.

PRELIMINARY



NOTE:

THE DISTANCE OF PANEL INSIDE SURFACE RELATIVE TO FRONT SURFACE OF PART IS ONLY A SUGGESTION. IN CASE THIS DISTANCE IS DIFFERENT, THE REQUIRED PANEL OPENING DIMENSIONS CHANGE ACCORDINGLY.

PACKING INFORMATION

PACKING TRAY : 0200-9999-A9 (TOP)  
0200-9999-A8 (BOTTOM)

PACKING QUANTITY : 15 PCS FINISHED GOODS PER TRAY  
7 TRAYS (105 PCS FINISHED GOODS) PER CARTON BOX

NOTE : CARDBOARDS ARE PLACED BETWEEN LAYERS OF PACKING TRAY INSIDE CARTON BOX  
(INCLUDE THE UPPERMOST AND LOWERMOST TRAY)

ORIGINATED BY TAD	DATE 04-22-05	TITLE 2X6 glgabt MagJack® (0.105" PIN LENGTH OF 54N)	PART NO. / DRAWING NO. 0833-2X6R-S3	STANDARD DIM. TOL. IN INCH	[ ] METRIC DIM. AS REFERENCE
DRAWN BY QIN	DATE 04-22-05		FILE NAME 08332X6RS3PA.DWG	.X .XX .XXX ±0.004	UNIT : INCH [mm] SCALE : N/A ⊕

