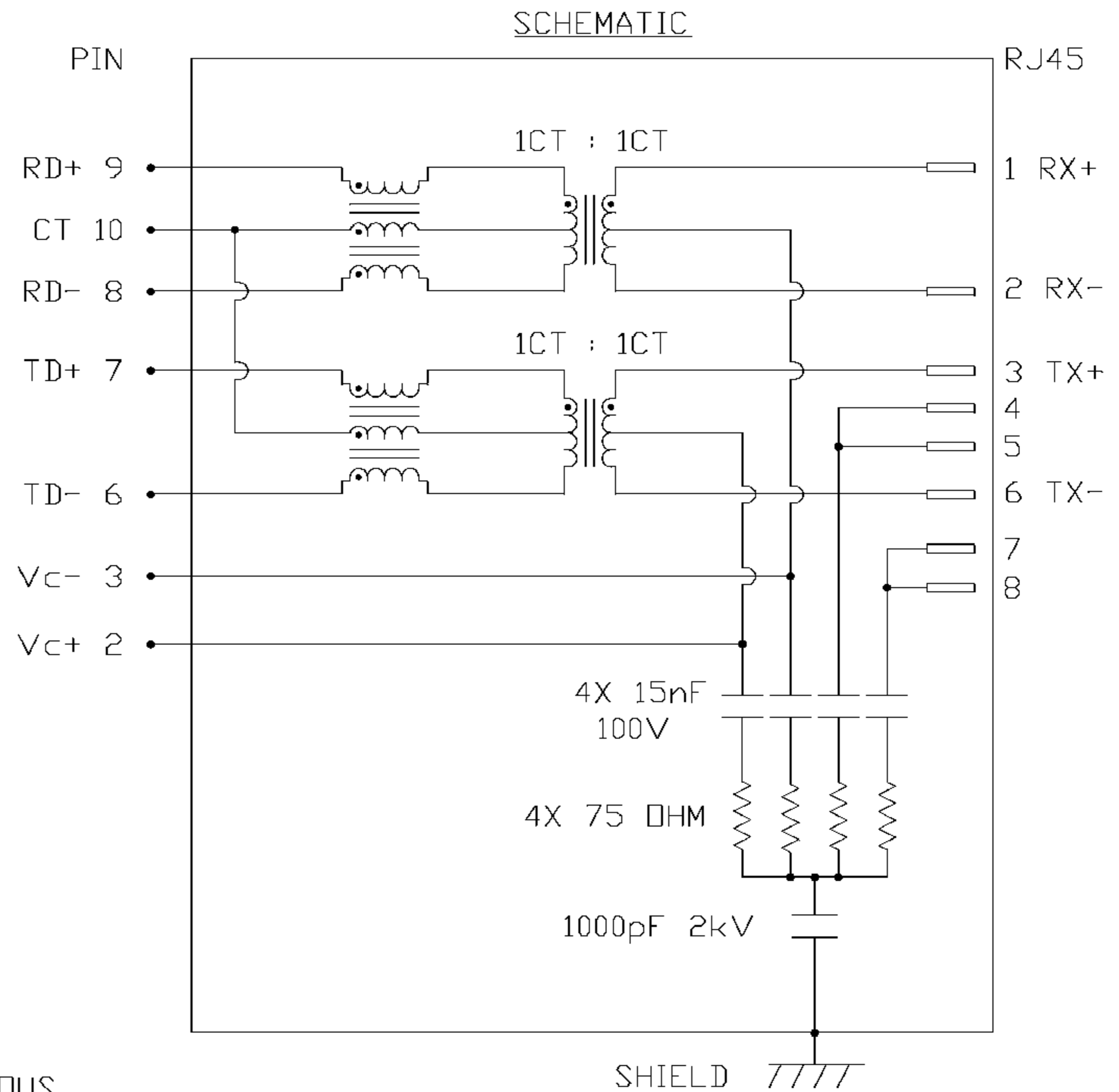


THE INFORMATION CONTAINED HEREIN IS CONSIDERED "PROPRIETARY" TO BEL FUSE INC. AND SHALL NOT BE COPIED, REPRODUCED OR DISCLOSED WITHOUT THE WRITTEN APPROVAL OF BEL FUSE INC.



ELECTRICAL CHARACTERISTICS @ 25°C

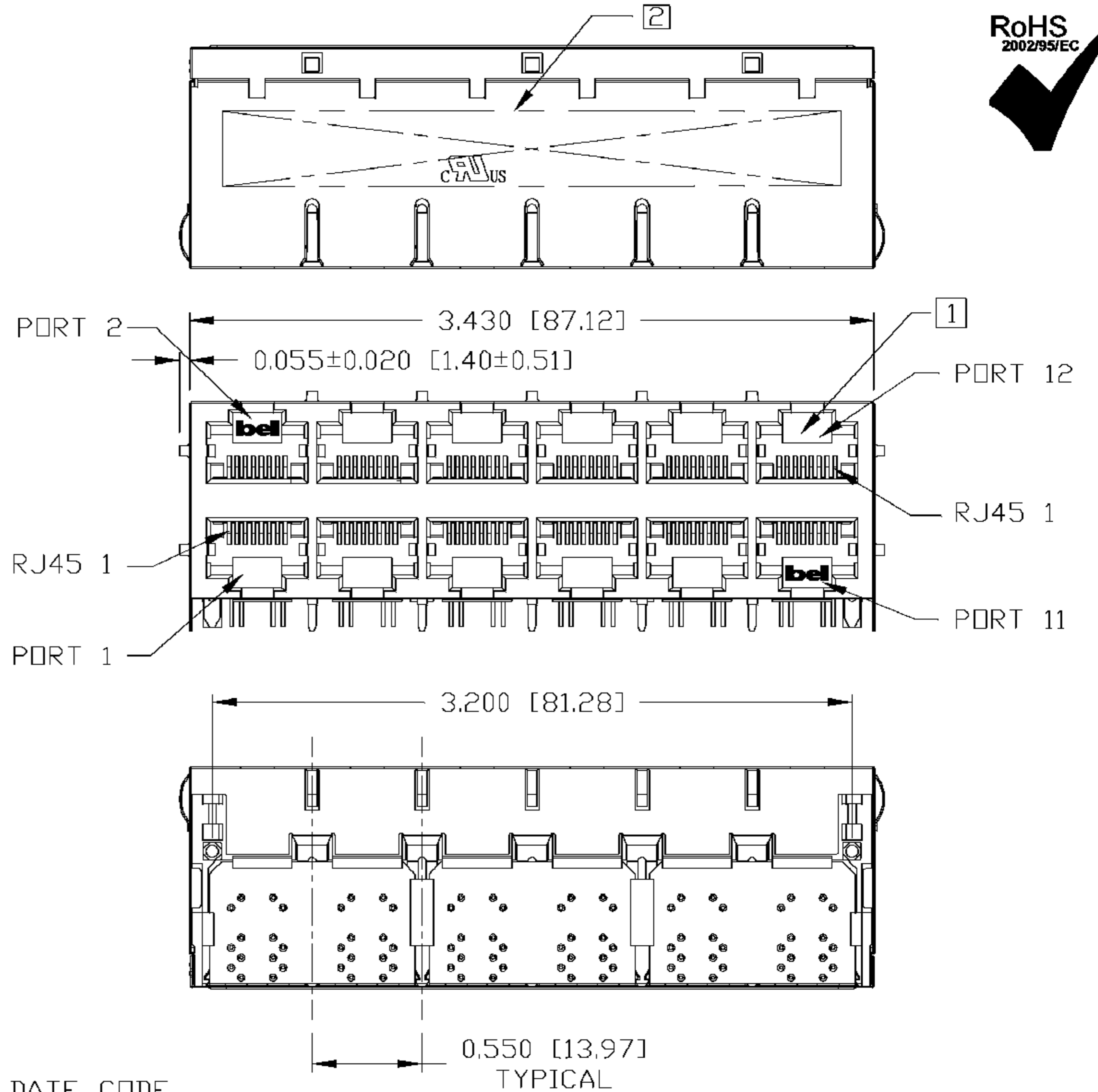
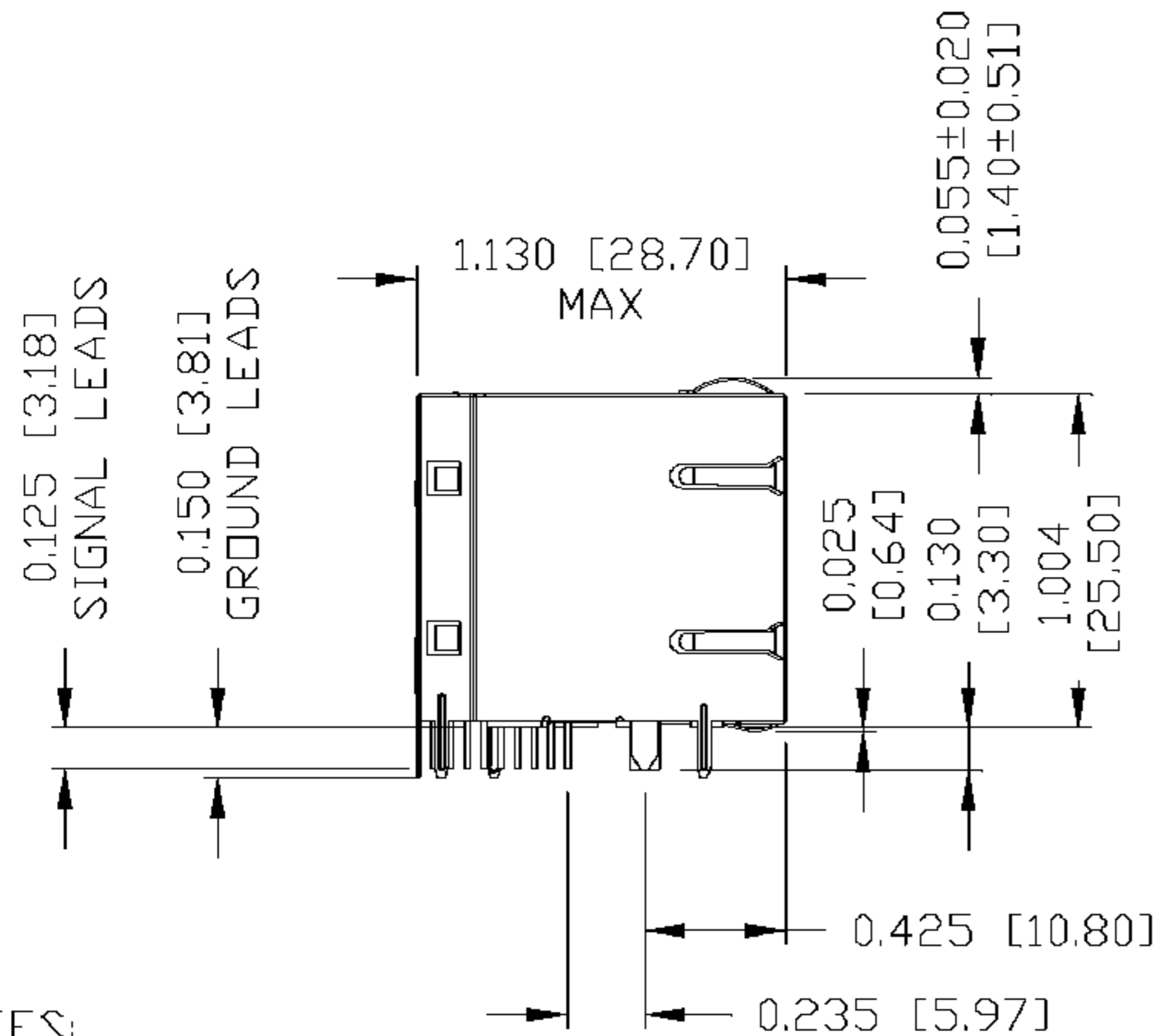
<p>                 TURNS RATIO                  OCL @ 0.1V, 100KHz                  8mA DC BIAS                  INSERTION LOSS                  100KHz TO 100MHZ                  RETURN LOSS (MIN.)                  2MHZ-30MHZ                  60MHZ-80MHZ                  LEAKAGE INDUCTANCE                  PRIMARY W/ SECONDARY SHORTED                  D.C. RESISTANCE                  (9-8)=(7-6)                  (RJ1-RJ2)=(RJ3-RJ6)                  INTERWINDING CAPACITANCE                  PER CHANNEL (PRI. to SEC.)                  XTALK                  100KHz TO 100MHZ                  HIPOT (Isolation Voltage):                  100% OF PRODUCTION TESTED TO COMPLY WITH                  IEEE 802.3 ISOLATION REQUIREMENTS.                  BALANCED DC LINE CURRENT                  350 mA MAX. @ 57 VDC CONTINUOUS                  500 mA MAX. @ 57 VDC FOR 200 MILLISECONDS             </p>	<p>                 1CT : 1CT ±2%                  350µH MIN.                  -1.5 dB MAX.                  -16 dB MIN.                  -10 dB MIN.                  0.25µH MAX. @ 1MHz                  1.4 ΩM .                  1.0 ΩM .                  40 pF MAX.                  -30 dB MIN.                  2250 VDC             </p>
--	---



ORIGINATED BY WCCHOW	DATE 11-13-07	TITLE 2X6 MagJack® VOIP	PART NO. / DRAWING NO. 08332X6R55-F	STANDARD DIM. TOL. IN INCH	[ ] METRIC DIM. AS REFERENCE	<p>COMPONENTS FOR A CONNECTED PLANET</p>
DRAWN BY LEE WEI DE	DATE 11-13-07		FILE NAME 08332X6R55-F_B.DWG	.X .XX .XXX	UNIT : INCH [mm] SCALE : N/A	

THE INFORMATION CONTAINED HEREIN IS CONSIDERED "PROPRIETARY" TO BEL FUSE INC. AND SHALL NOT BE COPIED, REPRODUCED OR DISCLOSED WITHOUT THE WRITTEN APPROVAL OF BEL FUSE INC.

RoHS  
2002/95/EC



NOTES:

- PLASTIC HOUSING: THERMOPLASTIC PBT  
FLAMMABILITY RATING UL 94V-0
- CONTACT PLATING: 50 MICRO-INCH HARD GOLD PLATING
- OUTPUT PINS: TIN-COATED COPPER WIRE, DIA 0.018 INCH.
- METAL SHIELD: NICKEL PLATED ON COPPER ALLOY.  
(ALL GROUND LEADS ARE SOLDER DIPPED)

- [1] JACK CAVITY CONFORMS TO FCC RULES AND REGULATIONS, PART 68 SUBPART F.
- [2] MARK PART WITH MFG LOGO, MFG NAME, PART NUMBER, AND DATE CODE.

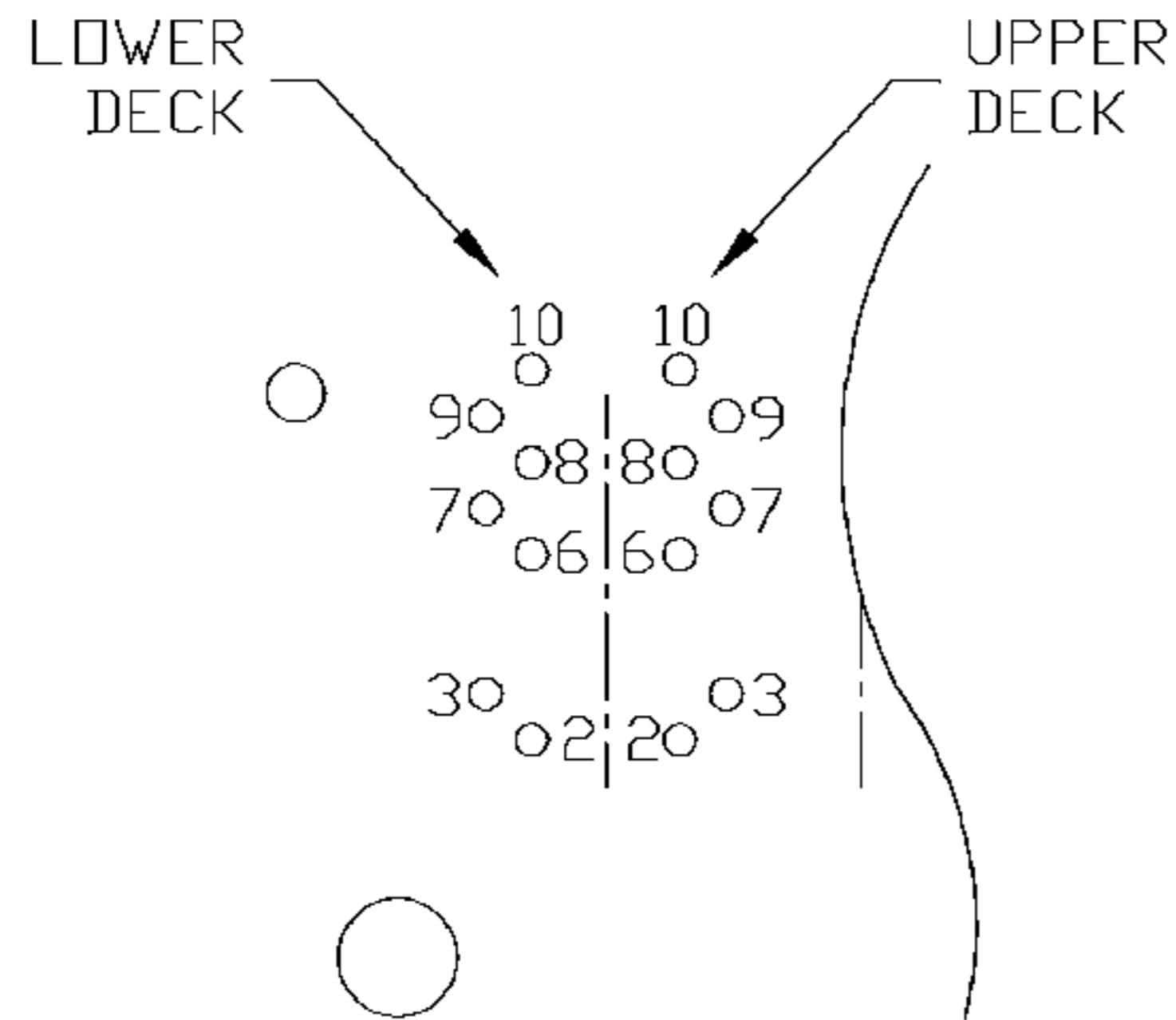
UL RECOGNIZED - FILE #E196366 AND E169987.

RoHS COMPLIANCE, PER EU DIRECTIVE 2002/95/EC.

ORIGINATED BY LIU QIN	DATE 11-13-07	TITLE 2X6 MagJack® VOIP	PART NO. / DRAWING NO. 08332X6R55-F	STANDARD DIM. TOL. IN INCH	[ ] METRIC DIM. AS REFERENCE	 COMPONENTS FOR A CONNECTED PLANET	
DRAWN BY CHEN TING	DATE 11-13-07	0833-2X6R-55-F	FILE NAME 08332X6R55-F_B.DWG	.X	UNIT : INCH [mm]		REV. : B
				.XX	SCALE : N/A		SIZE : A4
				.XXX	±0.010	PAGE : 3	

THE INFORMATION CONTAINED HEREIN IS CONSIDERED "PROPRIETARY" TO BEL FUSE INC. AND SHALL NOT BE COPIED, REPRODUCED OR DISCLOSED WITHOUT THE WRITTEN APPROVAL OF BEL FUSE INC.

RoHS  
2002/95/EC

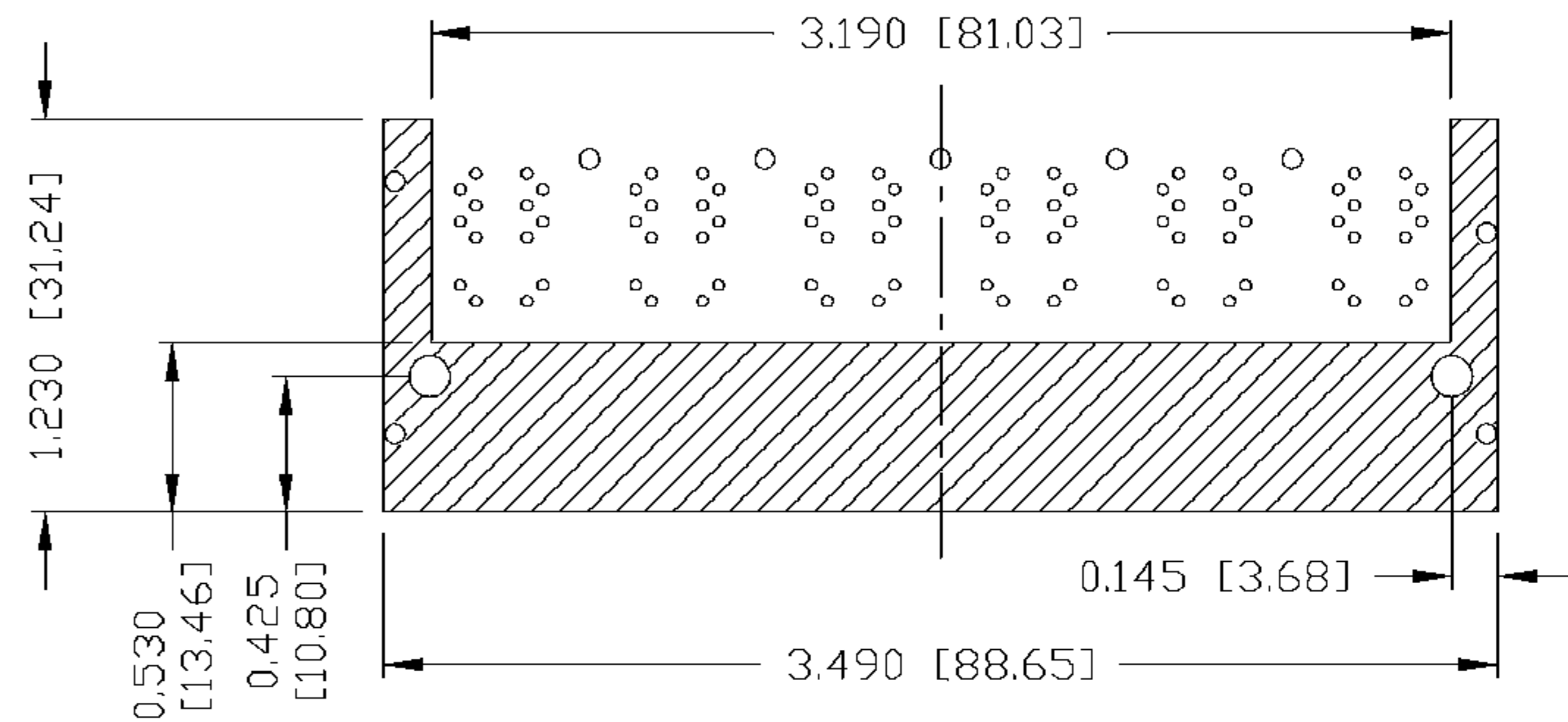
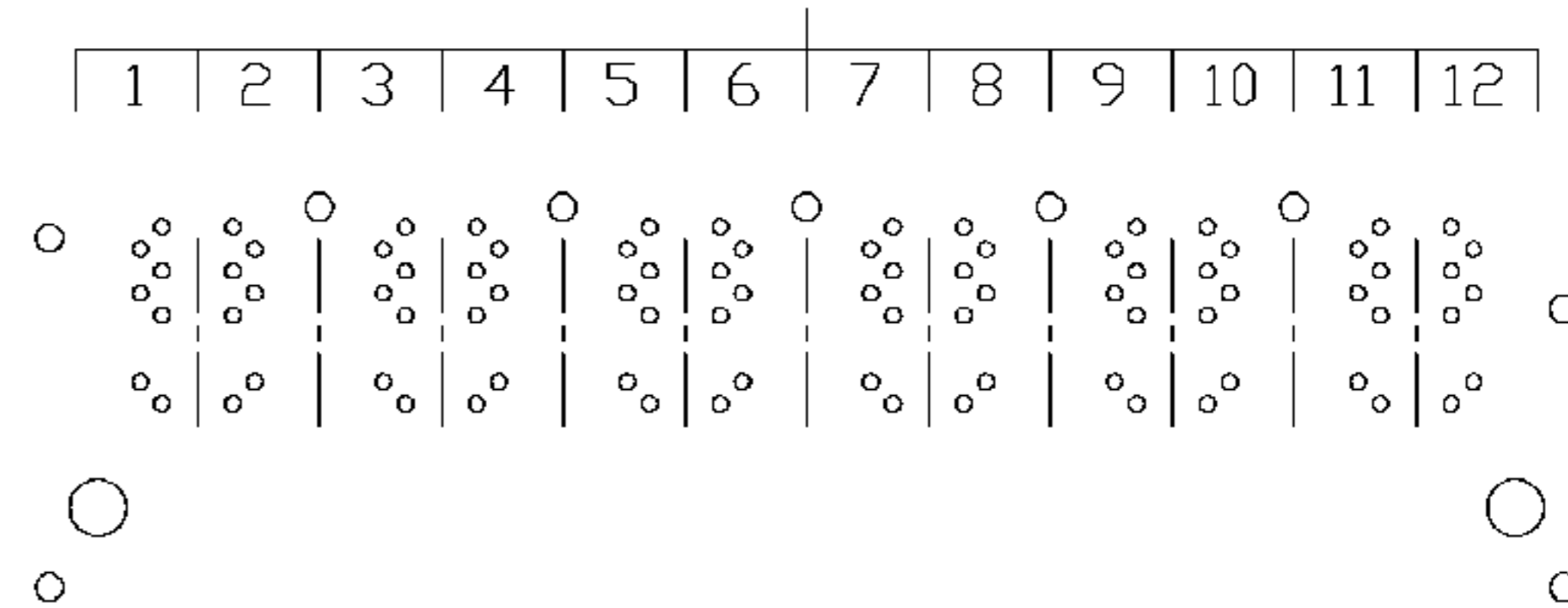


PIN-OUT INFORMATION  
(COMPONENT SIDE VIEW)

10	COMMON CT
9	RD+
8	RD-
7	TD+
6	TD-
5	NO PIN
4	NO PIN
3	Vc-
2	Vc+
1	NO PIN

UNUSED PIN LOCATIONS MUST BE REMOVED TO ENSURE 2KV ISOLATION.

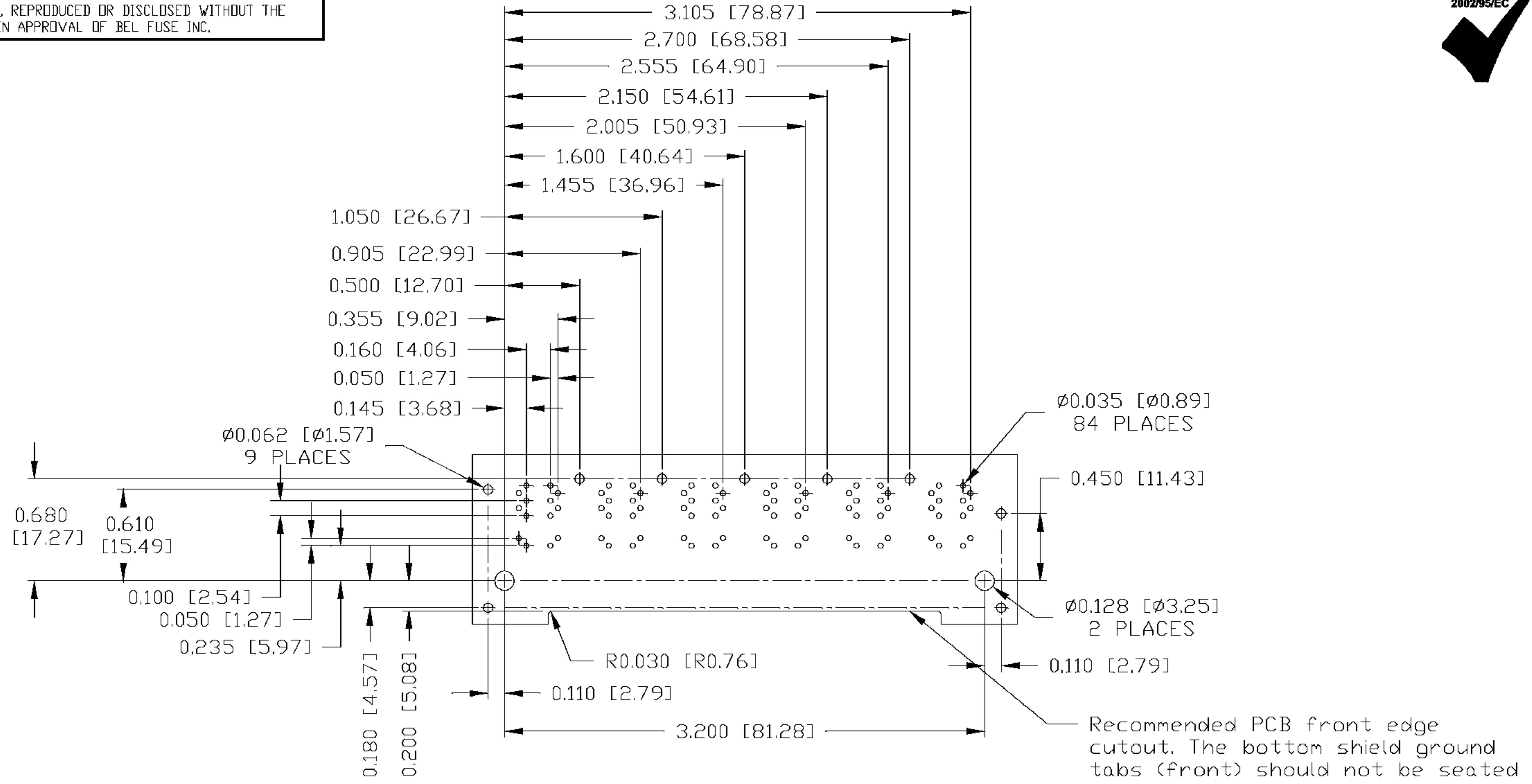
PORT ASSIGNMENT  
(COMPONENT SIDE VIEW)



THE SHADED AREA ON THE CUSTOMER BOARD ARE RECOMMENDED TO BE CLEAR OFF ANY VIA HOLE OR COMPONENT PAD.

ORIGINATED BY LIU QIN	DATE 11-13-07	TITLE 2X6 MagJack® VOIP	PART NO. / DRAWING NO. 08332X6R55-F	STANDARD DIM. TOL. IN INCH	[ ] METRIC DIM. AS REFERENCE	<p>COMPONENTS FOR A CONNECTED PLANET</p>
DRAWN BY CHEN TING	DATE 11-13-07	TITLE 0833-2X6R-55-F	FILE NAME 08332X6R55-F_B.DWG	.X	UNIT : INCH [mm]	
				.XX	SCALE : N/A	
				.XXX	±0.004	
						REV. : B SIZE : A4 PAGE : 4

THE INFORMATION CONTAINED HEREIN IS CONSIDERED "PROPRIETARY" TO BEL FUSE INC. AND SHALL NOT BE COPIED, REPRODUCED OR DISCLOSED WITHOUT THE WRITTEN APPROVAL OF BEL FUSE INC.



SUGGESTED FOOTPRINT  
(COMPONENT SIDE VIEW)

ORIGINATED BY LIU QIN	DATE 11-13-07	TITLE 2X6 MagJack® VOIP	PART NO. / DRAWING NO. 08332X6R55-F	STANDARD DIM. TOL. IN INCH	[ ] METRIC DIM. AS REFERENCE
DRAWN BY CHEN TING	DATE 11-13-07	0833-2X6R-55-F	FILE NAME 08332X6R55-F_B.DWG	.X .XX .XXX	UNIT : INCH [mm] SCALE : N/A REV. : B SIZE : A4 PAGE : 5
				±0.004	

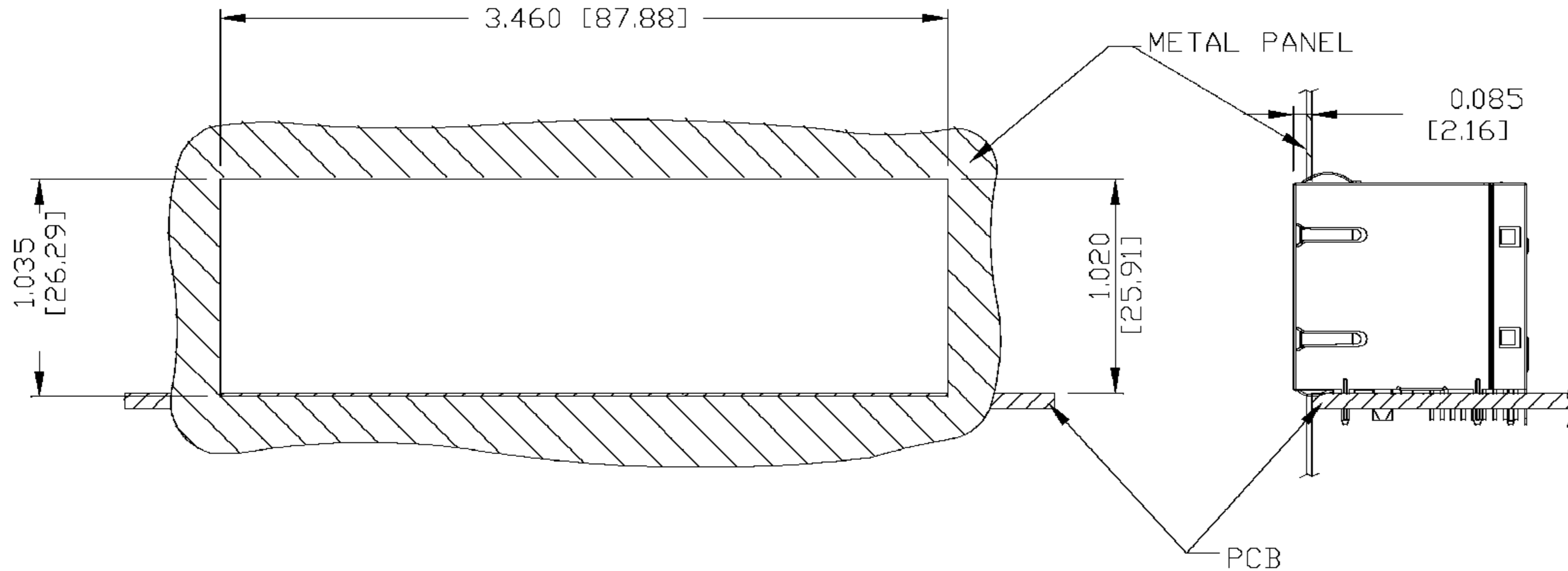


THE INFORMATION CONTAINED HEREIN IS CONSIDERED "PROPRIETARY" TO BEL FUSE INC. AND SHALL NOT BE COPIED, REPRODUCED OR DISCLOSED WITHOUT THE WRITTEN APPROVAL OF BEL FUSE INC.

RoHS  
2002/95/EC



SUGGESTED PANEL OPENING



NOTE:

THE DISTANCE OF PANEL INSIDE SURFACE RELATIVE TO FRONT SURFACE OF PART IS ONLY A SUGGESTION, IN CASE THIS DISTANCE IS DIFFERENT, THE REQUIRED PANEL OPENING DIMENSIONS CHANGE ACCORDINGLY.

PACKING INFORMATION

PACKING TRAY : 0200-9999-A9 (TOP)

0200-9999-A8 (BOTTOM)

PACKING QUANTITY : 15 PCS FINISHED GOODS PER TRAY

7 TRAYS (105 PCS FINISHED GOODS) PER CARTON BOX

NOTE : CARDBOARDS ARE PLACED BETWEEN LAYERS OF PACKING TRAY INSIDE CARTON BOX  
(INCLUDE THE UPPERMOST AND LOWERMOST TRAY)

ORIGINATED BY LIU QIN	DATE 11-13-07	TITLE 2X6 MagJack® VDIP	PART NO. / DRAWING NO. 08332X6R55-F	STANDARD DIM. TOL. IN INCH	[ ] METRIC DIM. AS REFERENCE	<p>COMPONENTS FOR A CONNECTED PLANET</p>
DRAWN BY CHEN TING	DATE 11-13-07	0833-2X6R-55-F	FILE NAME 08332X6R55-F_B.DWG	.X	UNIT : INCH [mm]	
				.XX	SCALE : N/A	
				.XXX ±0.004	REV. : B SIZE : A4 PAGE : 6	