



ELECTRICAL CHARACTERISTICS @ 25°C

URNS RATIO

TP1	1CT : 1CT ±2%
TP2	1CT : 1CT ±2%
TP3	1CT : 1CT ±2%
TP4	1CT : 1CT ±2%

OCL @ 100kHz/100mVRMS

8mA DC BIAS 350µH MIN.

INS. LOSS

0.1MHz TO 1MHz	-1.1 dB MAX
1MHz TO 65MHz	-0.5 dB MAX
65MHz TO 100MHz	-0.8 dB MAX
100MHz TO 125MHz	-1.2 dB MAX

RET. LOSS (MIN)

0.5MHz-40MHz	-18 dB
40MHz-100MHz	-12+20LOG(f/80MHz) dB

CM TO CM REJ

100kHz - 100MHz -30 dB MIN

CM TO DM REJ

100kHz - 100MHz -35 dB MIN

CROSS TALK

100kHz - 100MHz -30 dB MIN

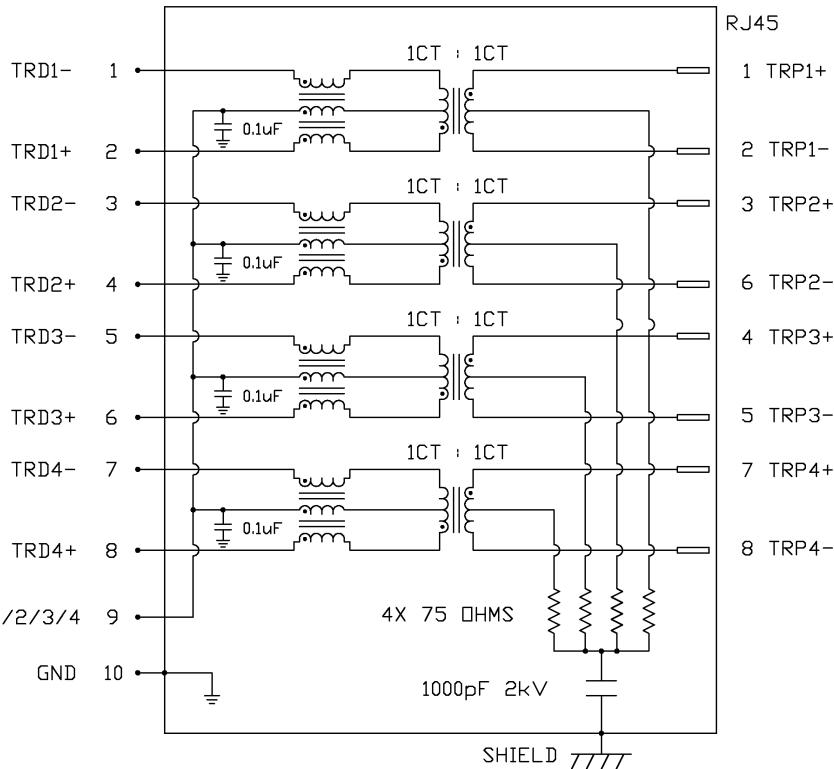
HIPOT (Isolation Voltage):

1500 Vrms or 2250VDC

OPERATING TEMPERATURE:

-40 TO +85°C

SCHEMATIC

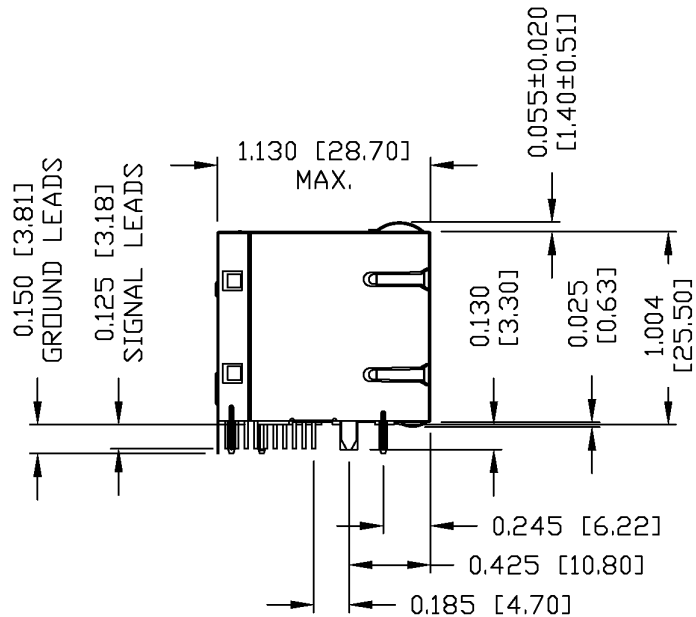


RJ45

ORIGINATED BY CHUNG	DATE 07-14-06	TITLE 2X4 gigabit MagJack® (8 Cores. Ext. Temp)	PART NO. / DRAWING NO. 08332X4RY4-F	STANDARD DIM. TOL. IN INCH	[ ] METRIC DIM. AS REFERENCE
	DRAWN BY DE			DATE 07-14-06	FILE NAME 08332X4RY4-FA.DWG



THE INFORMATION CONTAINED HEREIN IS CONSIDERED "PROPRIETARY" TO BEL FUSE INC. AND SHALL NOT BE COPIED, REPRODUCED OR DISCLOSED WITHOUT THE WRITTEN APPROVAL OF BEL FUSE INC.

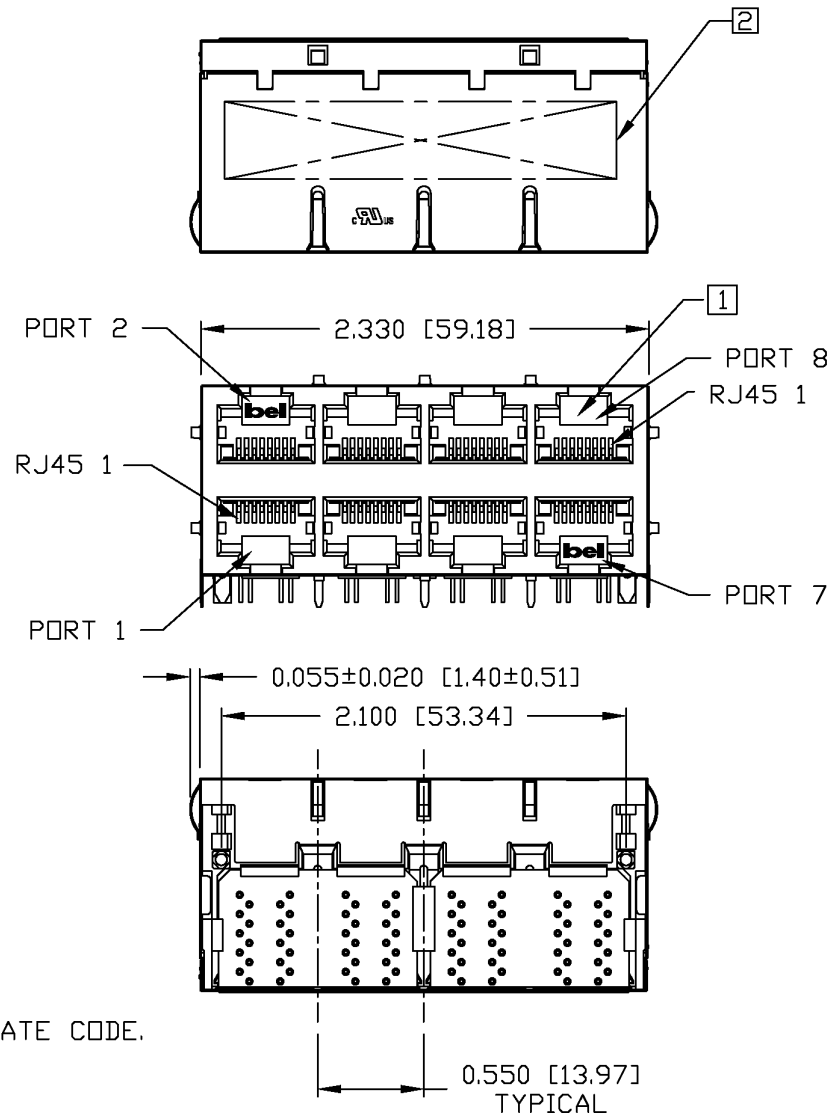


**NOTES:**

- PLASTIC HOUSING: THERMOPLASTIC PBT  
FLAMMABILITY RATING UL 94V-0
- CONTACT PLATING: 50 MICRO-INCH HARD GOLD PLATING
- OUTPUT PINS: TIN-COATED COPPER WIRE, DIA 0.018 INCH.
- METAL SHIELD: NICKEL PLATED ON COPPER ALLOY.  
(ALL GROUND LEADS ARE SOLDER DIPPED)

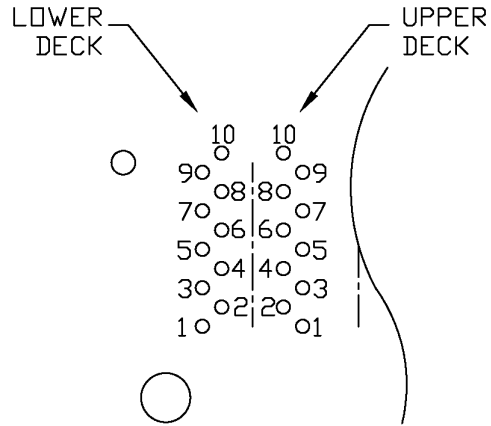
- 1. JACK CAVITY CONFORMS TO FCC RULES AND REGULATIONS,
- 2. MARK PART WITH MFG LOGO, MFG NAME, PART NUMBER, AND DATE CODE.

**c** **us** UL RECOGNIZED - FILE #E196366 AND E169987.  
RoHS COMPLIANT, PER EU DIRECTIVE 2002/95/EC.  
JACK CAVITY CONFORMS TO FCC RULES AND REGULATIONS.



ORIGINATED BY BILL	DATE 07-14-06	TITLE 2X4 gigabit MagJack® (8 Cores. Ext. Temp) 0833-2X4R-Y4-F	PART NO. / DRAWING NO. 08332X4RY4-F		STANDARD DIM. TOL. IN INCH		[ ] METRIC DIM. AS REFERENCE		
			FILE NAME 08332X4RY4-FA.DWG		.X .XX .XXX	±0.010	UNIT : INCH [mm]	REV. : A	
DRAWN BY QIN	DATE 07-14-06						SCALE : N/A	SIZE : A4	COMPONENTS FOR A CONNECTED PLANET
								PAGE : 3	

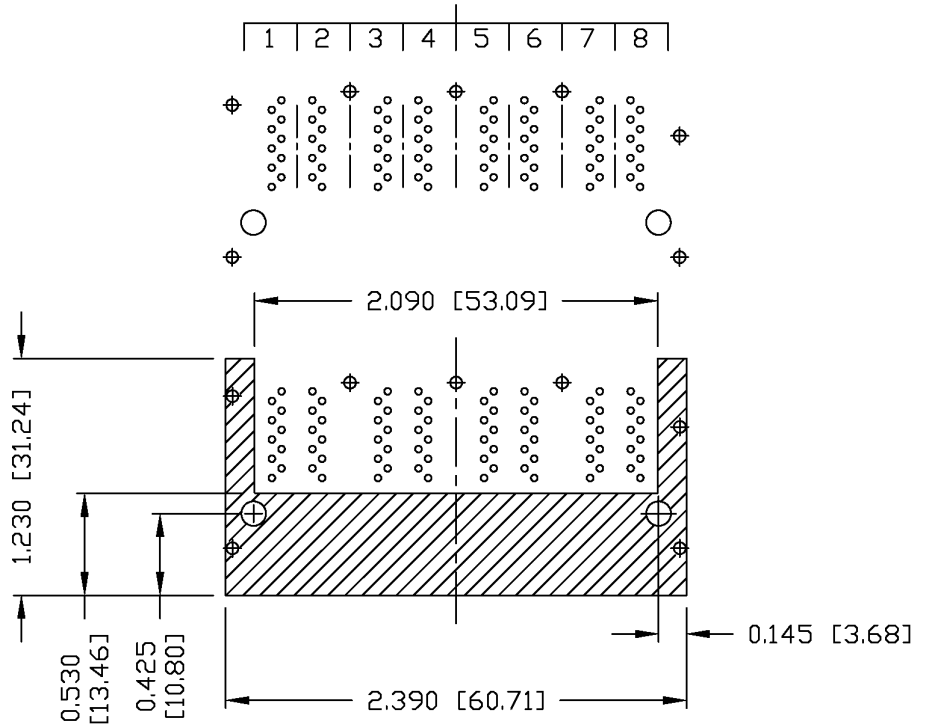
THE INFORMATION CONTAINED HEREIN IS CONSIDERED "PROPRIETARY" TO BEL FUSE INC. AND SHALL NOT BE COPIED, REPRODUCED OR DISCLOSED WITHOUT THE WRITTEN APPROVAL OF BEL FUSE INC.



PIN-OUT INFORMATION  
(COMPONENT SIDE VIEW)

10	GND
9	TRDCT1/2/3/4
8	TRD 4+
7	TRD 4-
6	TRD 3+
5	TRD 3-
4	TRD 2+
3	TRD 2-
2	TRD 1+
1	TRD 1-

PORT ASSIGNMENT  
(COMPONENT SIDE VIEW)

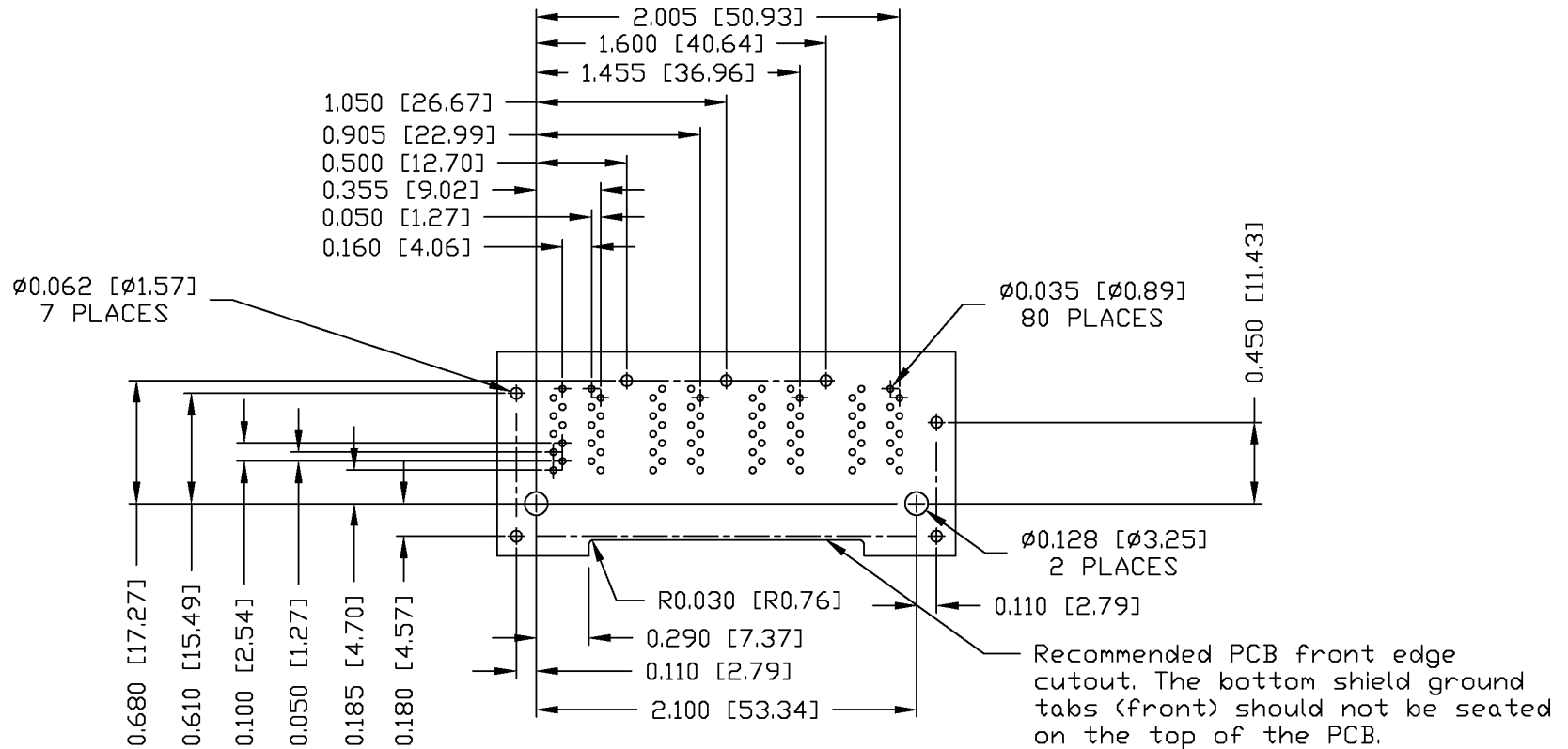


THE SHADED AREA ON THE CUSTOMER BOARD ARE RECOMMENDED TO BE CLEAR OFF ANY VIA HOLE OR COMPONENT PAD.

ORIGINATED BY BILL	DATE 07-14-06	TITLE 2X4 gigabit MagJack® (8 Cores, Ext. Temp) 0833-2X4R-Y4-F	PART NO. / DRAWING NO. 08332X4RY4-F		STANDARD DIM. TOL. IN INCH		[ ] METRIC DIM. AS REFERENCE	
			FILE NAME 08332X4RY4-FA.DWG		.X .XX .XXX	±0.004	UNIT : INCH [mm] SCALE : N/A	REV. : A SIZE : A4 PAGE : 4
DRAWN BY QIN	DATE 07-14-06							



THE INFORMATION CONTAINED HEREIN IS CONSIDERED 'PROPRIETARY' TO BEL FUSE INC. AND SHALL NOT BE COPIED, REPRODUCED OR DISCLOSED WITHOUT THE WRITTEN APPROVAL OF BEL FUSE INC.



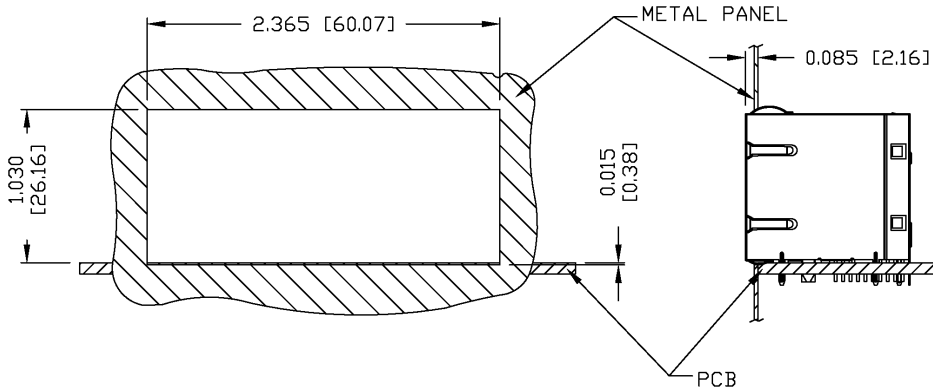
SUGGESTED FOOTPRINT  
(COMPONENT SIDE VIEW)

ORIGINATED BY BILL	DATE 07-14-06	TITLE 2X4 gigabit MagJack® (8 Cores, Ext. Temp) 0833-2X4R-Y4-F	PART NO. / DRAWING NO. 08332X4RY4-F		STANDARD DIM. TOL. IN INCH		[ ] METRIC DIM. AS REFERENCE		 COMPONENTS FOR A CONNECTED PLANET
			FILE NAME 08332X4RY4-FA.DWG		.X		UNIT : INCH [mm]	REV. : A	
DRAWN BY QIN	DATE 07-14-06				.XX		SCALE : N/A	SIZE : A4	
					.XXX	±0.004		PAGE : 5	

THE INFORMATION CONTAINED HEREIN IS CONSIDERED "PROPRIETARY" TO BEL FUSE INC. AND SHALL NOT BE COPIED, REPRODUCED OR DISCLOSED WITHOUT THE WRITTEN APPROVAL OF BEL FUSE INC.



SUGGESTED PANEL OPENING



NOTES:

THE DISTANCE OF PANEL INSIDE SURFACE RELATIVE TO FRONT SURFACE OF PART IS ONLY A SUGGESTION. IN CASE THIS DISTANCE IS DIFFERENT, THE REQUIRED PANEL OPENING DIMENSIONS CHANGE ACCORDINGLY.

PACKING INFORMATION

PACKING TRAY : 0200-0148-46 (TOP)  
0200-0148-47 (BOTTOM)

PACKING QUANTITY : 20 PCS FINISHED GOODS PER TRAY.  
7 TRAYS (140 PCS FINISHED GOODS) PER CARTON BOX.

NOTE : CARDBOARDS ARE PLACED BETWEEN LAYERS OF PACKING TRAY INSIDE CARTON BOX.  
(INCLUDE THE UPPERMOST AND LOWERMOST TRAY)

ORIGINATED BY BILL	DATE 07-14-06	TITLE 2X4 gigabit MagJack® (8 Cores. Ext. Temp)	PART NO. / DRAWING NO. 08332X4RY4-F	STANDARD DIM.		[ ] METRIC DIM. AS REFERENCE	
				TOL. IN INCH		UNIT : INCH [mm]	REV. : A
DRAWN BY GIN	DATE 07-14-06	0833-2X4R-Y4-F	FILE NAME 08332X4RY4-FA.DWG	.X	/	SCALE : N/A	SIZE : A4
				.XX			
				.XXX			PAGE : 6

