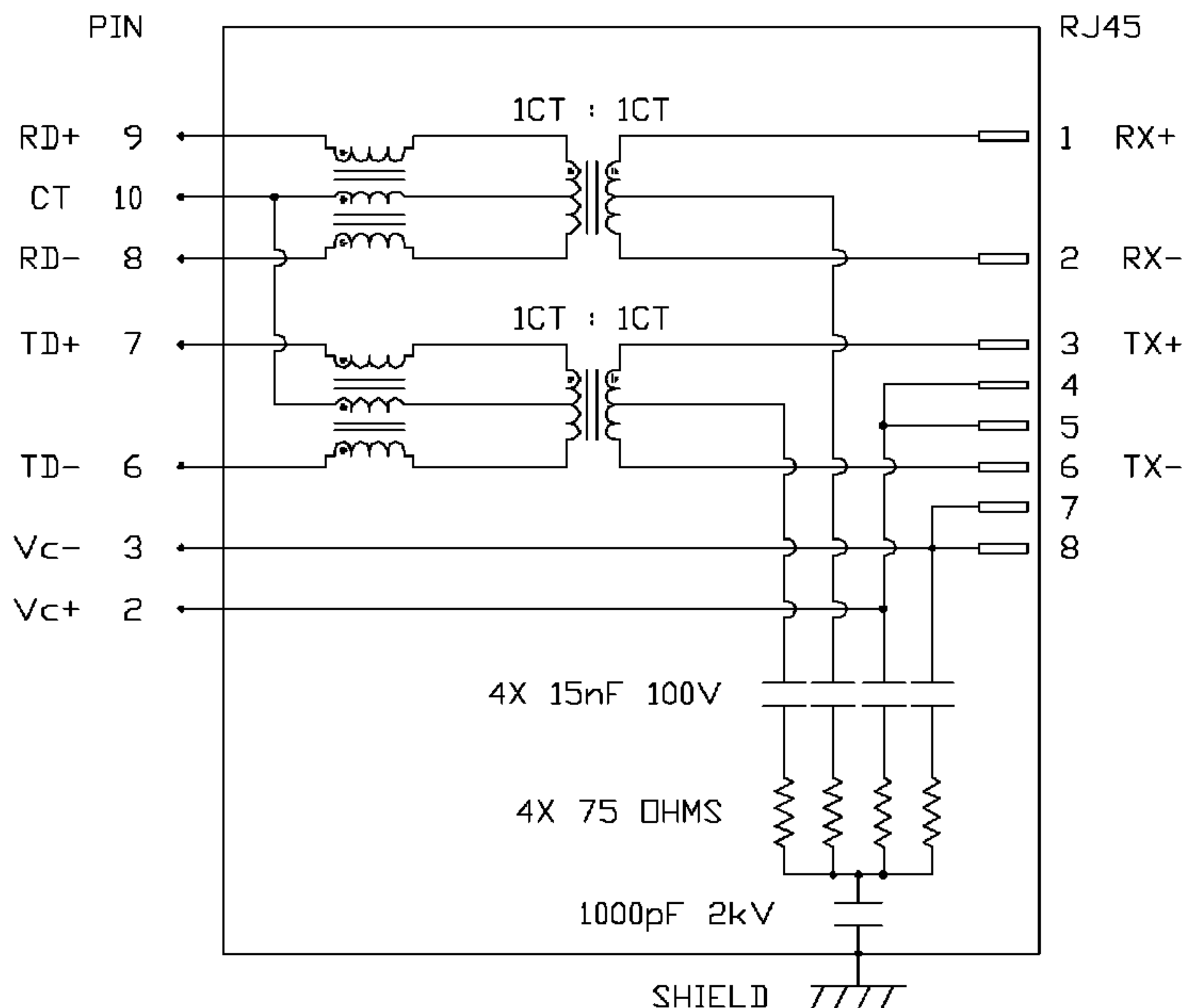


THE INFORMATION CONTAINED HEREIN IS CONSIDERED "PROPRIETARY" TO BEL FUSE INC. AND SHALL NOT BE COPIED, REPRODUCED OR DISCLOSED WITHOUT THE WRITTEN APPROVAL OF BEL FUSE INC.

## ELECTRICAL CHARACTERISTICS @ 25°C

|   |  |
|---|--|
| <p>TURNS RATIO<br/>OCL @ 0.1V, 100KHz<br/>8mA DC BIAS</p> <p>INSERTION LOSS<br/>100KHz TO 100MHz</p> <p>RETURN LOSS (MIN.)<br/>2MHz-30MHz<br/>60MHz-80MHz</p> <p>LEAKAGE INDUCTANCE<br/>PRIMARY W/ SECONDARY SHORTED</p> <p>D.C. RESISTANCE<br/>(9-8)=(7-6)<br/>(RJ1-RJ2)=(RJ3-RJ6)</p> <p>INTERWINDING CAPACITANCE<br/>PER CHANNEL (PRI. to SEC.)</p> <p>XTALK<br/>100KHz TO 100MHz</p> <p>HIPOT (Isolation Voltage):<br/>100% OF PRODUCT TESTED IN PRODUCTION</p> <p>BALANCED DC LINE CURRENT</p> | <p>1CT : 1CT ±2%</p> <p>350µ H MIN.</p> <p>-1.5 dB MAX.</p> <p>-16 dB MIN.<br/>-10 dB MIN.</p> <p>0.25µH MAX. @ 1MHz</p> <p>1.40 OHM MAX.<br/>1.0 OHM MAX.</p> <p>40 pF MAX.</p> <p>-30 dB MIN.</p> <p>2250 VDC</p> <p>350 mA MAX. @ 57 VDC CONTINUOUS<br/>500 mA MAX. @ 57 VDC FOR 200 MILLISECONDS</p> |
|---|--|

## SCHEMATIC



|       |          |   |
|-------|----------|---|
| DRWN  | DATE     | TITLE                                       |
| CHUNG | 12-10-04 | 2X4 Stacked MagJack™<br>FOR 10/100 VOIP/POE |
| CHKD  | DATE     |   |
| CHUNG | 12-10-04 |   |

|                        |                 |
|------------------------|-----------------|
| PART NO. / DRAWING NO. | 0833-2X4R-59    |
| FILE NAME              | 08332X4R59A.DWG |

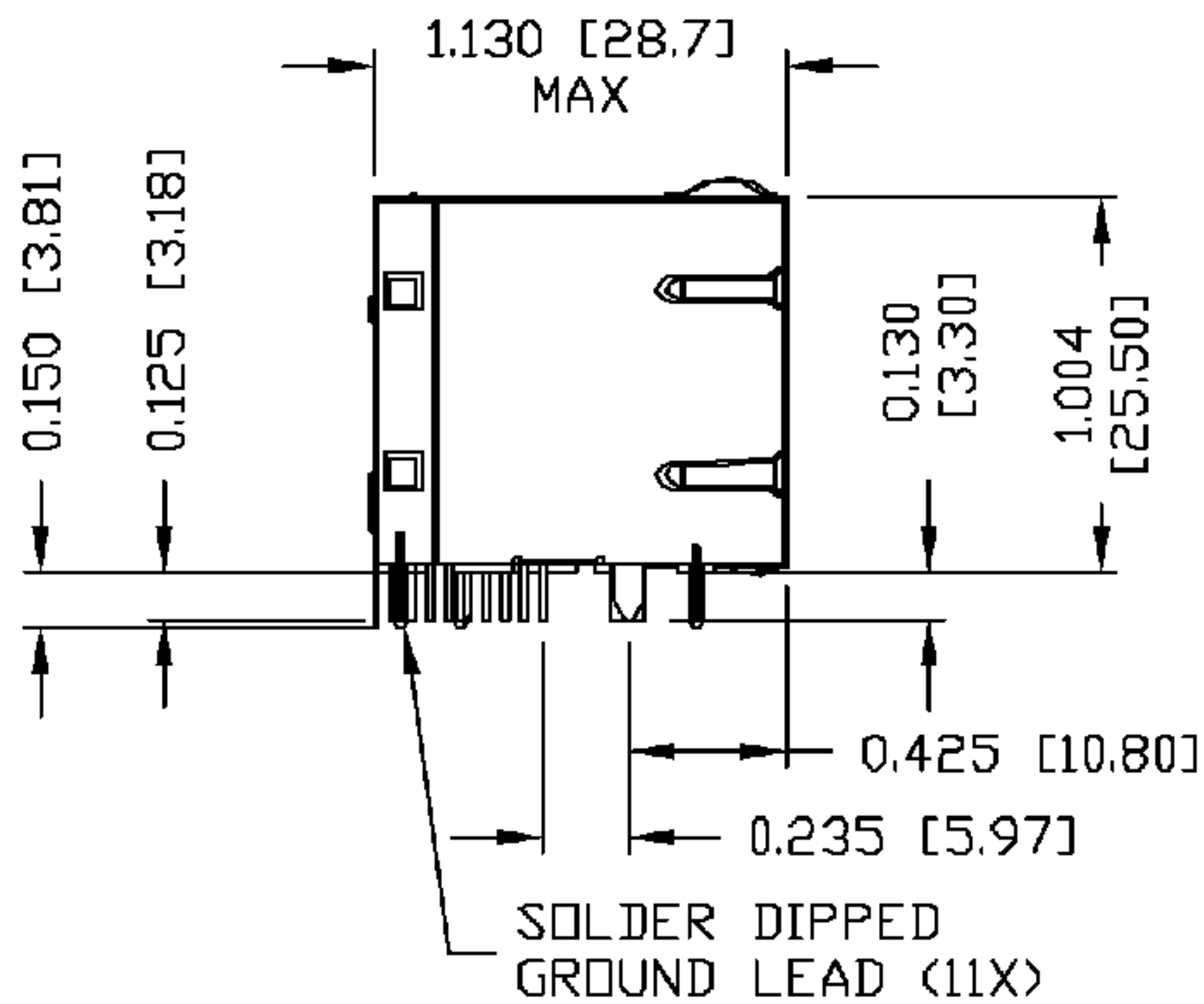
|               |                              |
|---------------|------------------------------|
| STANDARD DIM. | [ ] METRIC DIM. AS REFERENCE |
| TOL. IN INCH  | UNIT : INCH [mm]             |
| .X            | SCALE : N/A                  |
| .XX           | REV. : A                     |
| .XXX          | SIZE : A4                    |
|               | PAGE : 2                     |

|                  |           |
|------------------|-----------|
| UNIT : INCH [mm] | REV. : A  |
| SCALE : N/A      | SIZE : A4 |
|                  | PAGE : 2  |

|                  |           |
|------------------|-----------|
| UNIT : INCH [mm] | REV. : A  |
| SCALE : N/A      | SIZE : A4 |
|                  | PAGE : 2  |



THE INFORMATION CONTAINED HEREIN IS CONSIDERED "PROPRIETARY" TO BEL FUSE INC. AND SHALL NOT BE COPIED, REPRODUCED OR DISCLOSED WITHOUT THE WRITTEN APPROVAL OF BEL FUSE INC.

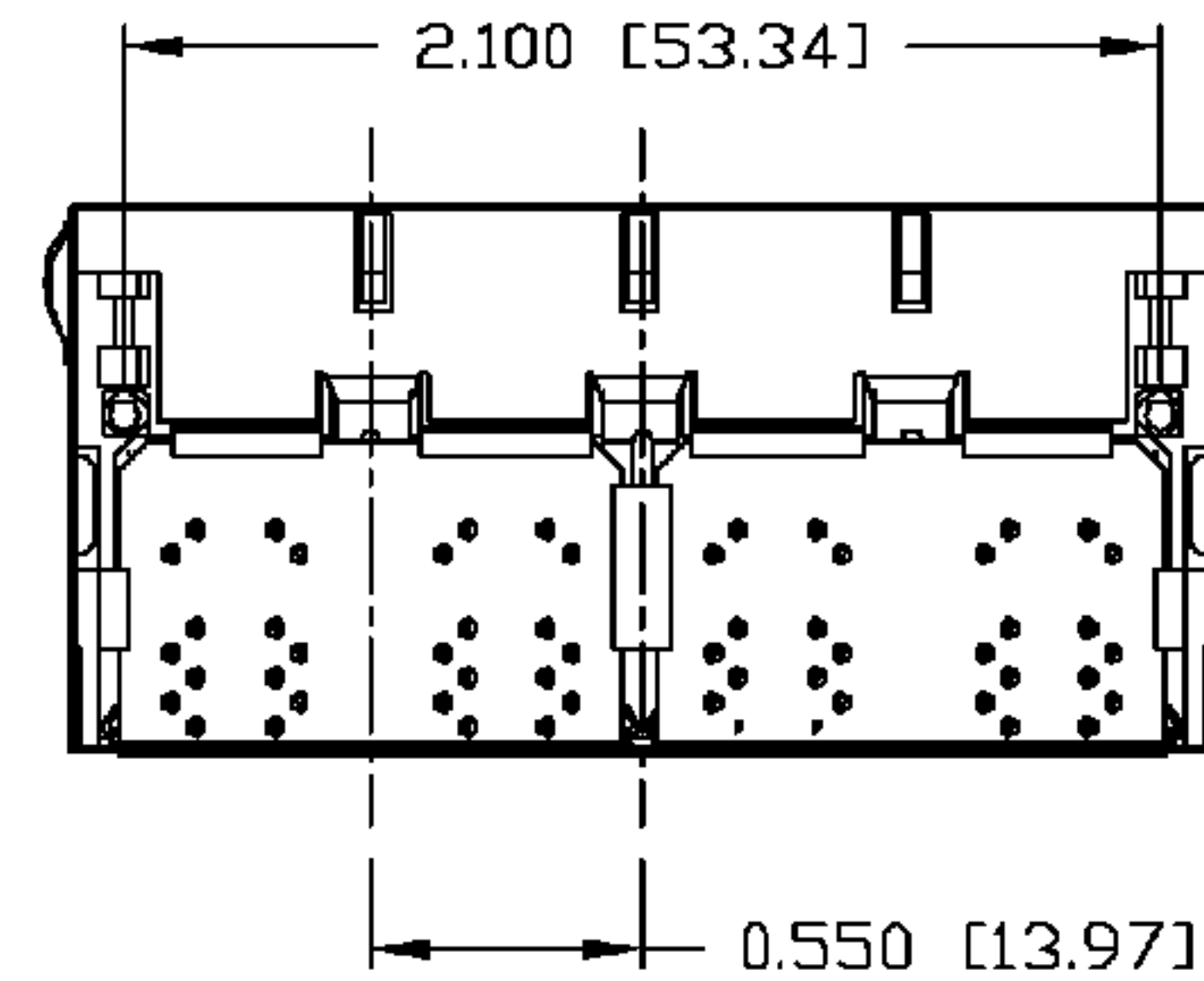
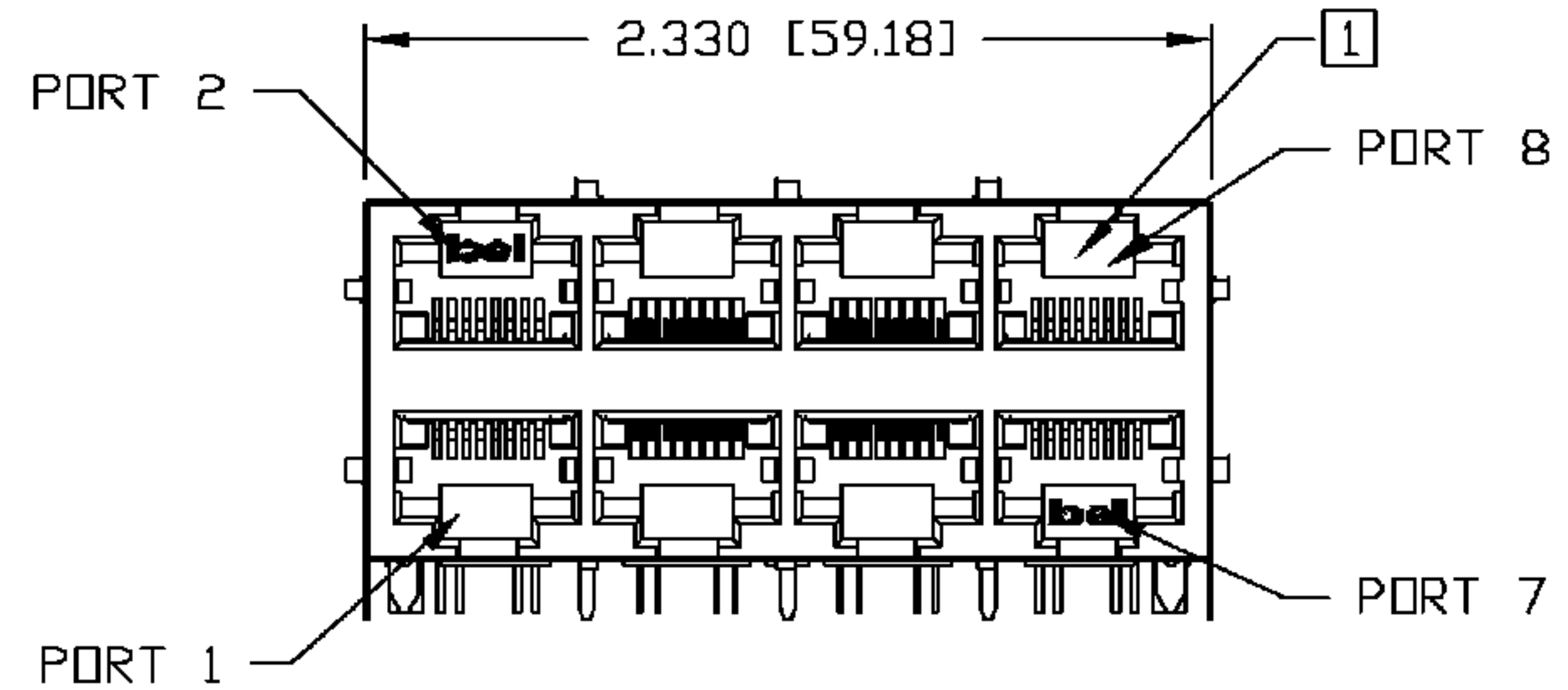
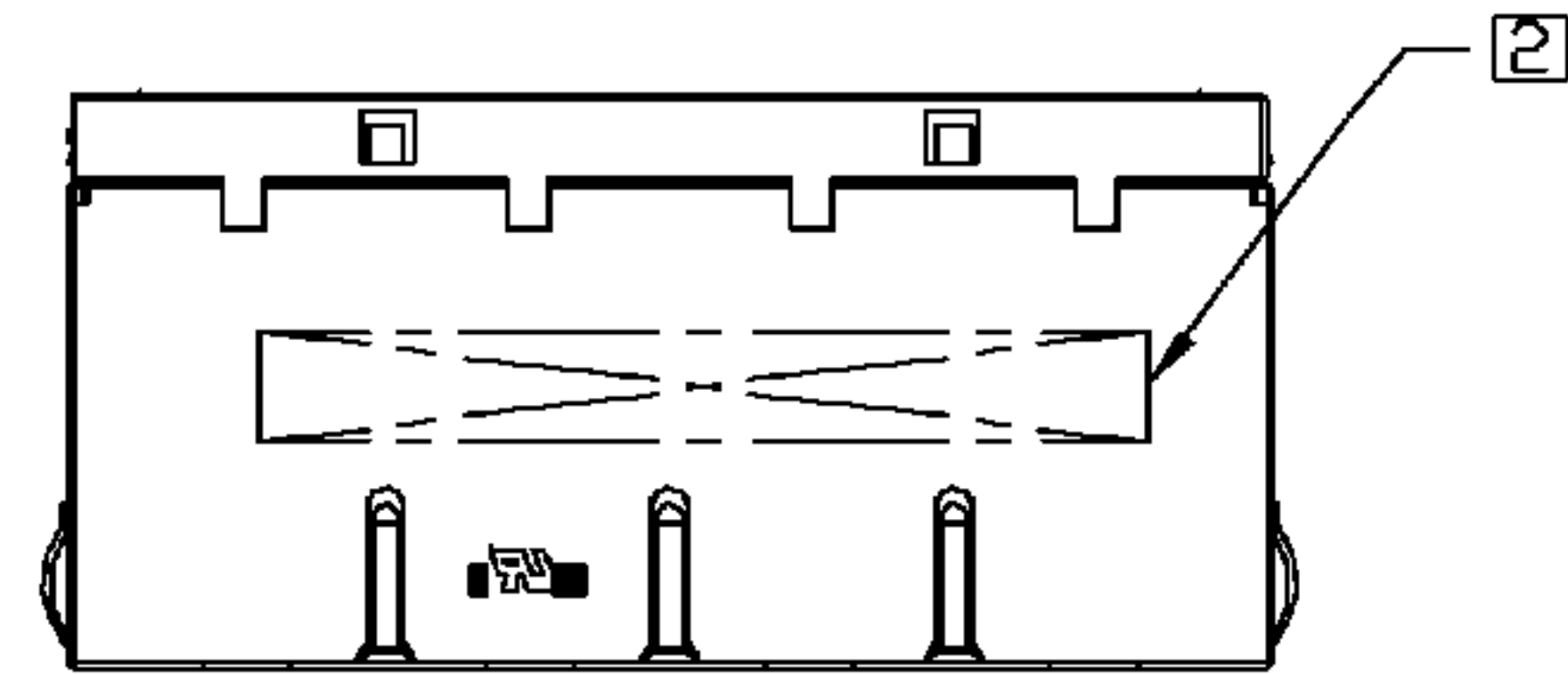


**NOTES:**

- PLASTIC HOUSING: THERMOPLASTIC PBT  
FLAMMABILITY RATING UL 94V-0
- CONTACT PLATING: 50 MICRO-INCH HARD GOLD PLATING
- OUTPUT PINS: TIN-COATED COPPER WIRE, DIA 0.018 INCH.
- SOLDERABILITY: PER MIL STD. 202, METHOD 208.
- METAL SHIELD: NICKEL PLATED COPPER ALLOY.
- (ALL GROUND LEADS ARE SOLDER DIPPED)

- 1. JACK CAVITY CONFORMS TO FCC RULES AND REGULATIONS, PART 68 SUBPART F.
- 2. MARK PART WITH MFG LOGO , MFG NAME , PART NUMBER, AND DATE CODE

c us UL RECOGNIZED - FILE #E196366 AND E169987.



|                   |                  |
|-------------------|------------------|
| DRWN<br>QIAN      | DATE<br>12-10-04 |
| CHKD<br>TAD/KEUNG | DATE<br>12-10-04 |

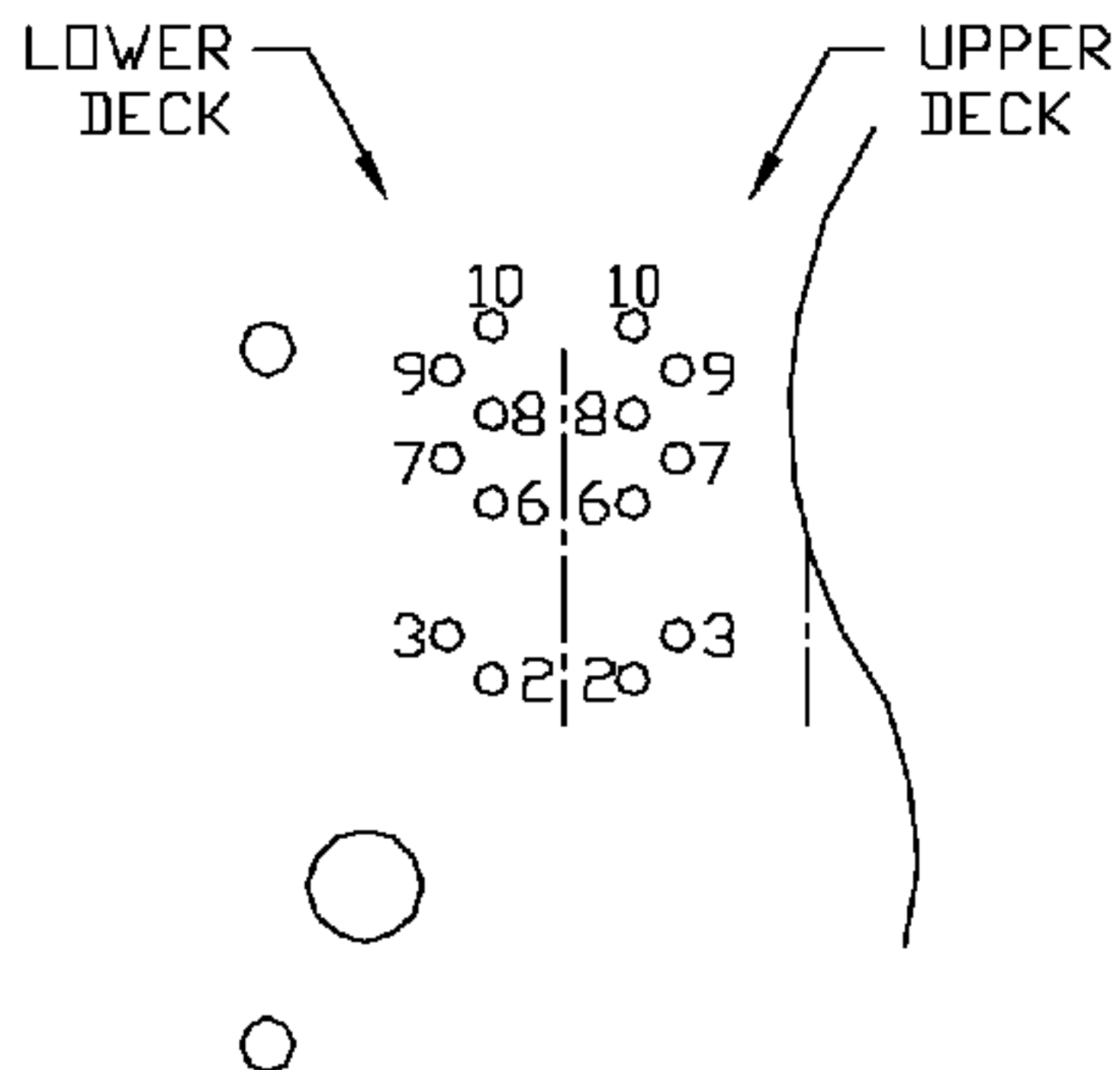
|  |
|--|
| TITLE<br>2X4 Stacked MagJack™<br>FOR 10/100 VOIP/POE |
|--|

|  |
|--|
| PART NO. / DRAWING NO.<br>0833-2X4R-59 |
| FILE NAME<br>08332X4R59A.DWG           |

| STANDARD DIM.<br>TOL. IN INCH | [ ] METRIC DIM. AS REFERENCE |
|-------------------------------|------------------------------|
| .X                            | UNIT : INCH [mm] REV. : A    |
| .XX                           | SCALE : N/A SIZE : A4        |
| .XXX ±0.010                   | ⊕ --- PAGE : 3               |



THE INFORMATION CONTAINED HEREIN IS CONSIDERED "PROPRIETARY" TO BEL FUSE INC. AND SHALL NOT BE COPIED, REPRODUCED OR DISCLOSED WITHOUT THE WRITTEN APPROVAL OF BEL FUSE INC.

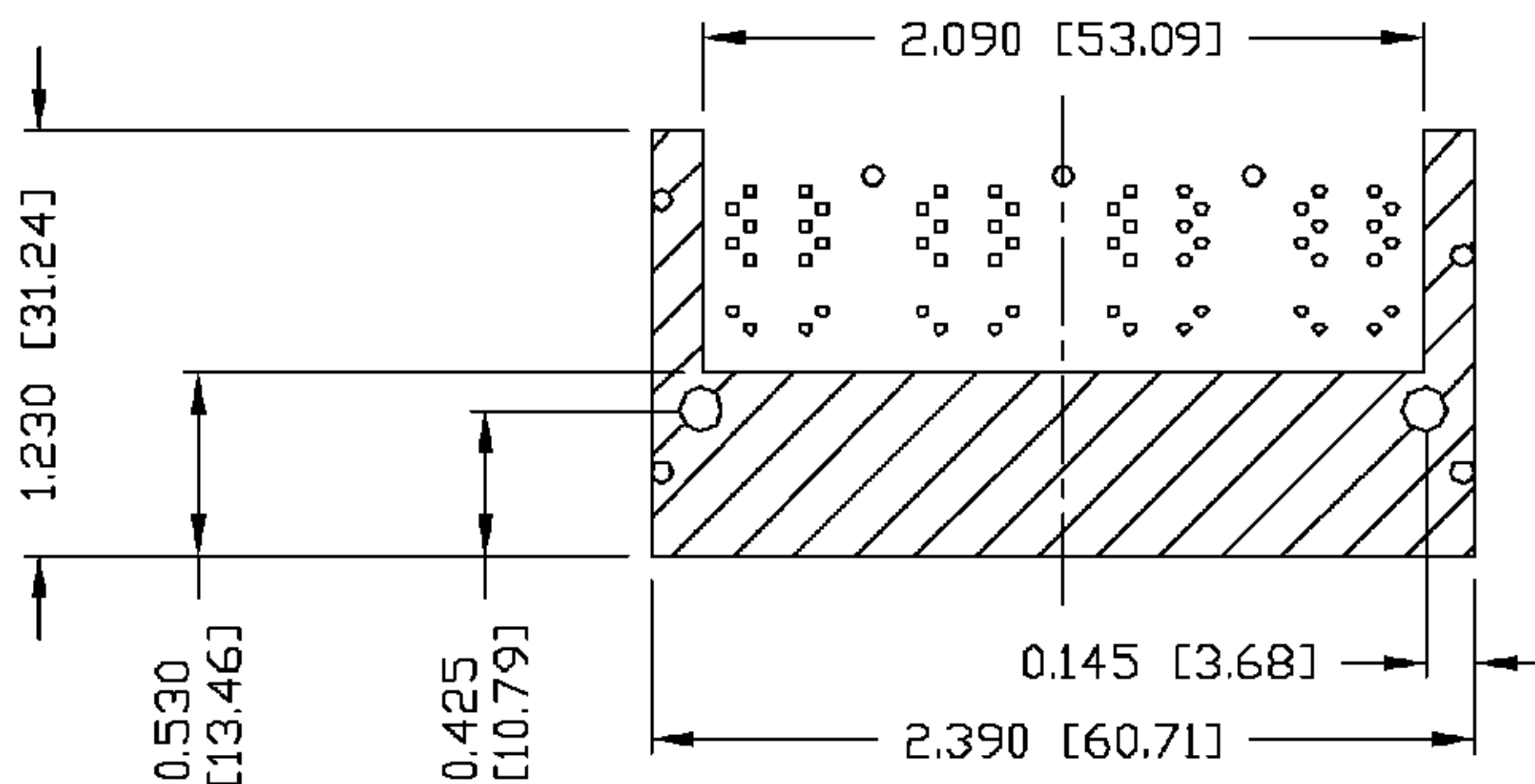
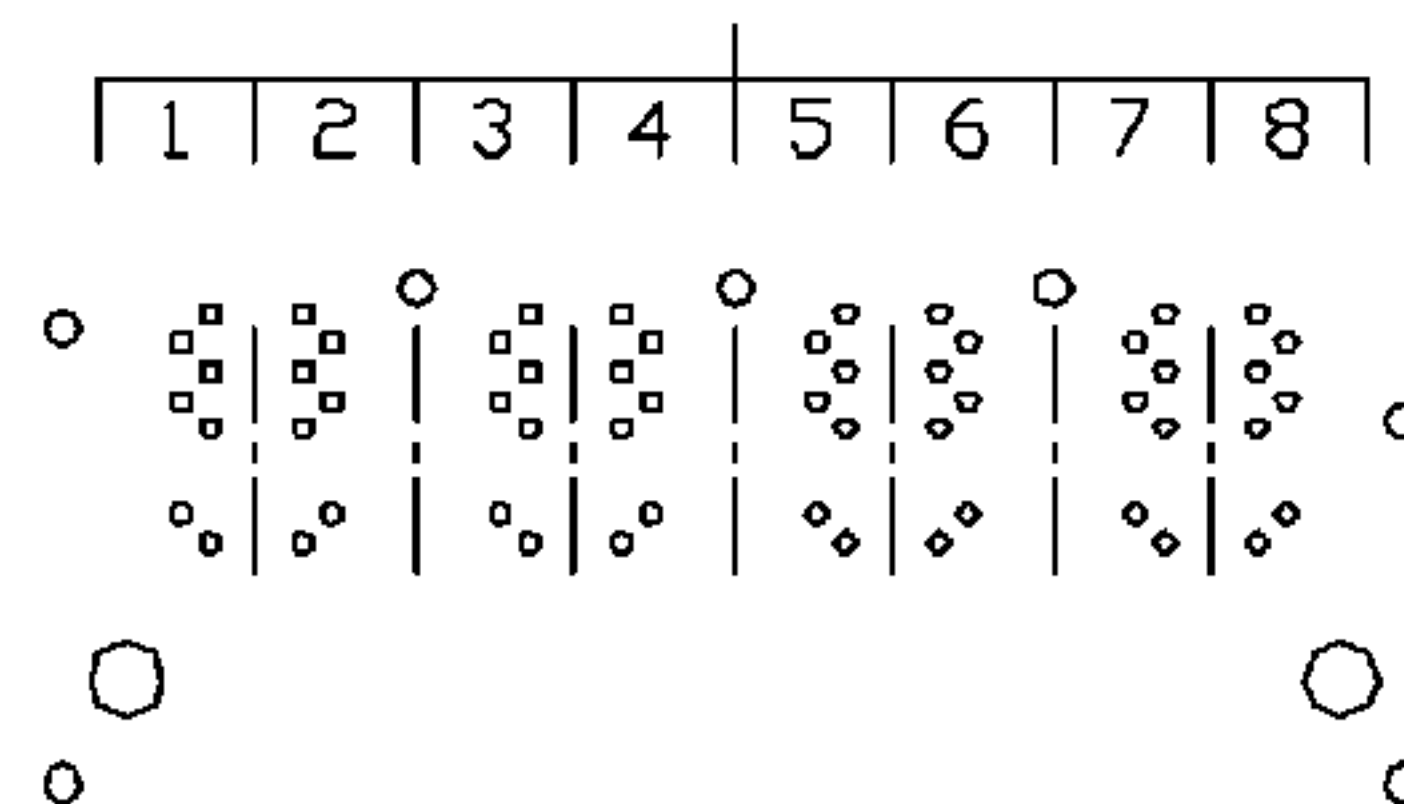


PIN-OUT INFORMATION  
(COMPONENT SIDE VIEW)

|    |           |
|----|-----------|
| 10 | COMMON CT |
| 9  | RD+       |
| 8  | RD-       |
| 7  | TD+       |
| 6  | TD-       |
| 5  | NO PIN    |
| 4  | NO PIN    |
| 3  | Vc-       |
| 2  | Vc+       |
| 1  | NO PIN    |

UNUSED PIN LOCATIONS MUST BE REMOVED TO ENSURE 2KV ISOLATION.

PORT ASSIGNMENT  
(COMPONENT SIDE VIEW)



THE SHADED AREA OF BOTTOM SIDE OF PART MAY BE COVERED BY METAL SHIELD.

|                   |                  |  |
|-------------------|------------------|--|
| DRWN<br>QIAN      | DATE<br>12-10-04 | TITLE<br>2X4 Stacked MagJack™<br>FOR 10/100 VOIP/PDE |
| CHKD<br>TAD/KEUNG | DATE<br>12-10-04 |  |

|  |
|--|
| PART NO. / DRAWING NO.<br>0833-2X4R-59 |
| FILE NAME<br>08332X4R59A.DWG           |

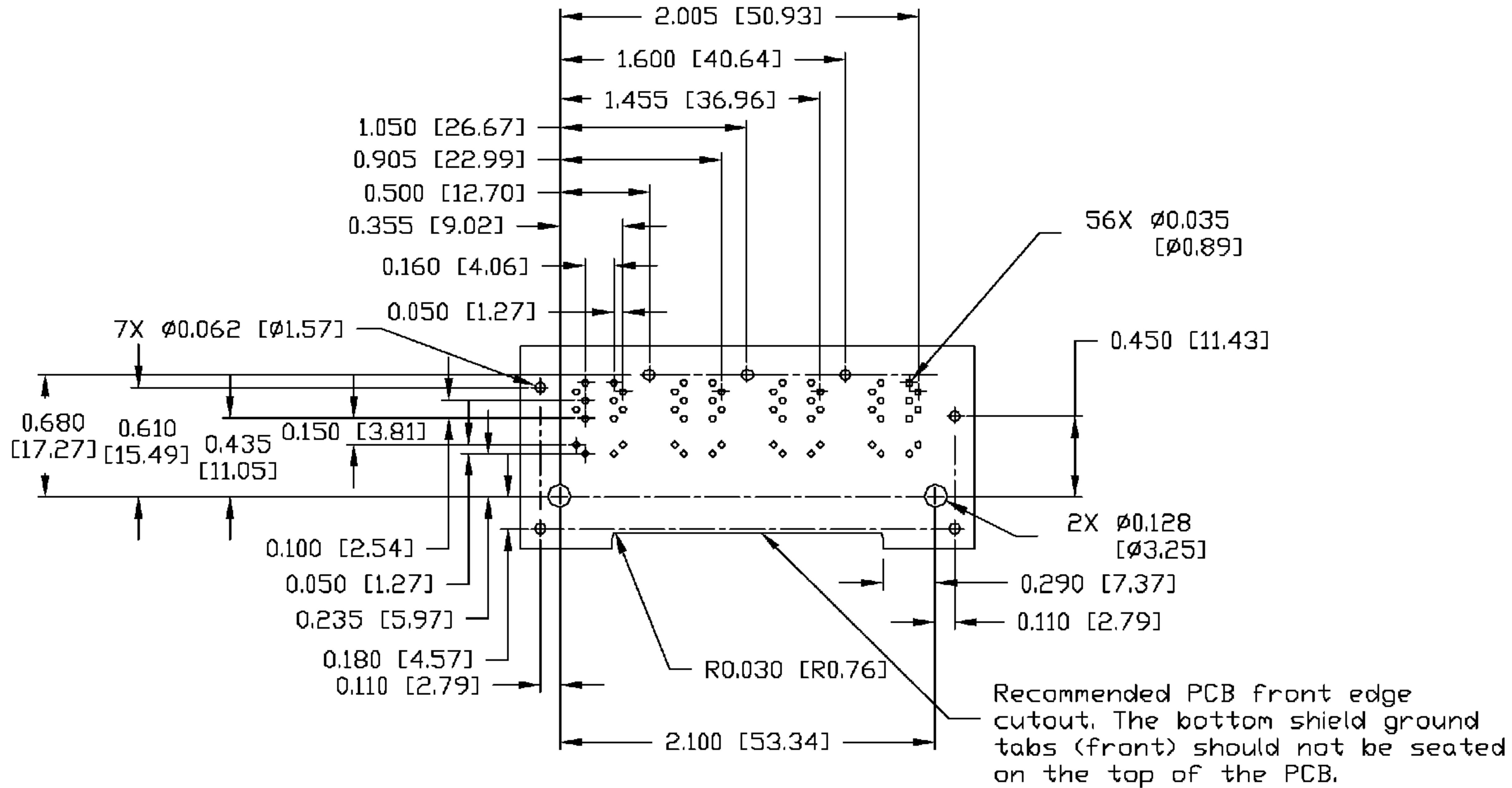
|                               |                              |
|-------------------------------|------------------------------|
| STANDARD DIM.<br>TOL. IN INCH | [ ] METRIC DIM. AS REFERENCE |
| .X                            | UNIT : INCH [mm]             |
| .XX                           | SCALE : N/A                  |
| .XXX                          | REV. : A                     |
| ±0.010                        | SIZE : A4                    |
|                               | PAGE : 4                     |

|                  |           |
|------------------|-----------|
| UNIT : INCH [mm] | REV. : A  |
| SCALE : N/A      | SIZE : A4 |
| REV. : A         | SIZE : A4 |
| SIZE : A4        | PAGE : 4  |


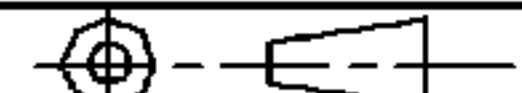
|                  |           |
|------------------|-----------|
| UNIT : INCH [mm] | REV. : A  |
| SCALE : N/A      | SIZE : A4 |
| REV. : A         | SIZE : A4 |
| SIZE : A4        | PAGE : 4  |



THE INFORMATION CONTAINED HEREIN IS CONSIDERED "PROPRIETARY" TO BEL FUSE INC. AND SHALL NOT BE COPIED, REPRODUCED OR DISCLOSED WITHOUT THE WRITTEN APPROVAL OF BEL FUSE INC.

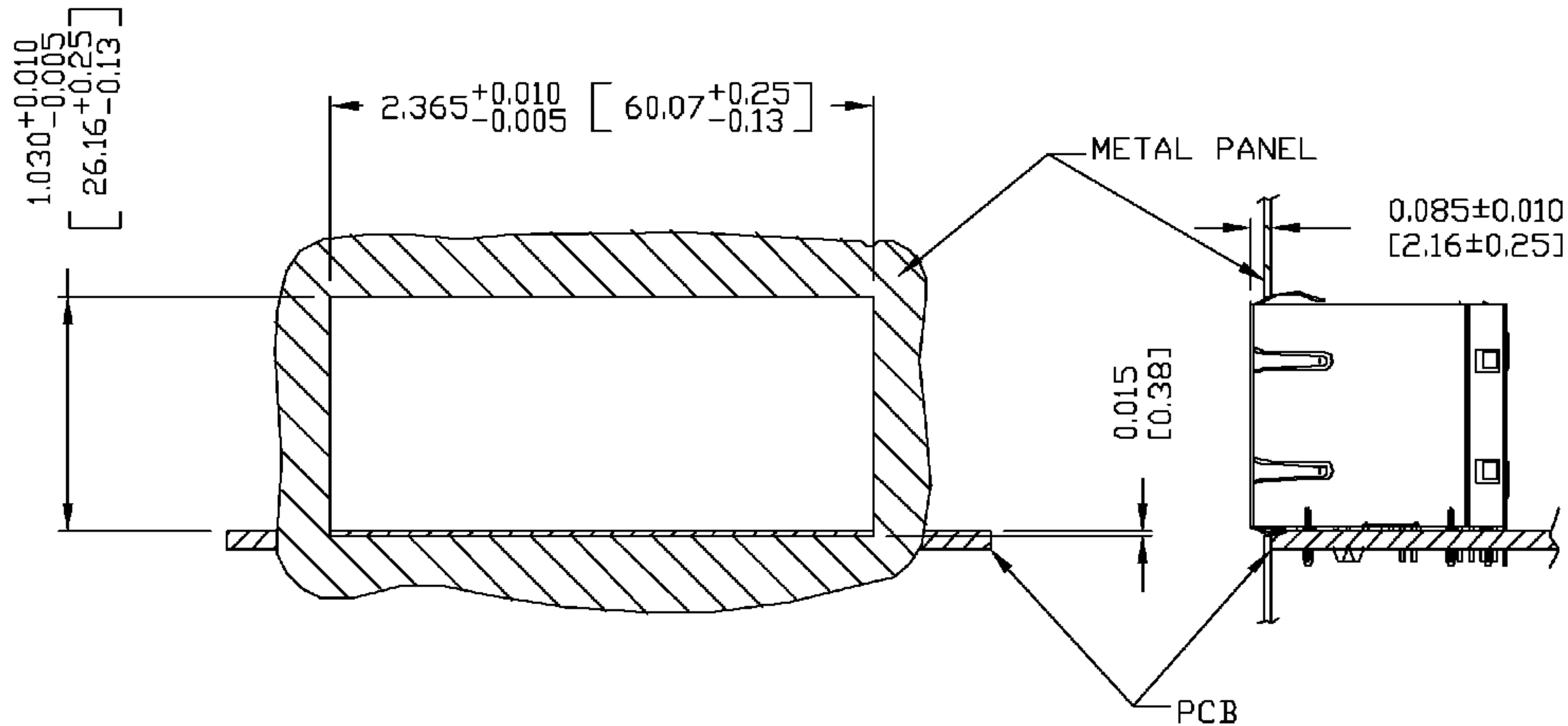


SUGGESTED FOOTPRINT  
(COMPONENT SIDE VIEW)

|              |                   |  |  |                               |                              |   |  |
|--------------|-------------------|--|--|-------------------------------|------------------------------|---|--|
| DRWN<br>QIAN | DATE<br>12-10-04  | TITLE<br>2X4 Stacked MagJack™<br>FOR 10/100 VOIP/PDE | PART NO. / DRAWING NO.<br>0833-2X4R-59 | STANDARD DIM.<br>TOL. IN INCH | [ ] METRIC DIM. AS REFERENCE |   | <br>COMPONENTS FOR A<br>CONNECTED<br>PLANET |
|              | CHKD<br>TAD/KEUNG |  | DATE<br>12-10-04                       | FILE NAME<br>08332X4R59A.DWG  | .X                           | UNIT : INCH [mm]  |  |
|              |                   |  |  | .XX                           | SCALE : N/A                  | SIZE : A4   |  |
|              |                   |  |  | .XXX                          | ±0.004                       |  | PAGE : 5   |

THE INFORMATION CONTAINED HEREIN IS CONSIDERED "PROPRIETARY" TO BEL FUSE INC. AND SHALL NOT BE COPIED, REPRODUCED OR DISCLOSED WITHOUT THE WRITTEN APPROVAL OF BEL FUSE INC.

SUGGESTED PANEL OPENING



NOTE:

THE DISTANCE OF PANEL INSIDE SURFACE RELATIVE TO FRONT SURFACE OF PART IS ONLY A SUGGESTION. IN CASE THIS DISTANCE IS DIFFERENT, THE REQUIRED PANEL OPENING DIMENSIONS CHANGE ACCORDINGLY.

PACKING INFORMATION

PACKING TRAY : 0200-0148-46 (TOP)  
0200-0148-47 (BOTTOM)

PACKING QUANTITY : 20 PCS FINISHED GOODS PER TRAY  
7 TRAYS (140 PCS FINISHED GOODS) PER CARTON BOX

NOTE : CARDBOARDS ARE PLACED BETWEEN LAYERS OF PACKING TRAY INSIDE CARTON BOX  
(INCLUDE THE UPPERMOST AND LOWERMOST TRAY)

| DRWN      | DATE     | TITLE                                       | PART NO. / DRAWING NO. | STANDARD DIM. TOL. IN INCH |        | [ ] METRIC DIM. AS REFERENCE |             | REV. : A | SIZE : A4 | PAGE : 6 |
|-----------|----------|---|------------------------|----------------------------|--------|------------------------------|-------------|----------|-----------|----------|
|           |          |   |                        | .X                         | .XX    | UNIT : INCH [mm]             | SCALE : N/A |          |           |          |
| QIAN      | 12-10-04 | 2X4 Stacked MagJack™<br>FOR 10/100 VOIP/PDE | 0833-2X4R-59           | .X                         |        | UNIT : INCH [mm]             | SCALE : N/A |          |           |          |
| CHKD      | DATE     |   | FILE NAME              | .XX                        |        |                              |             |          |           |          |
| TAD/KEUNG | 12-10-04 |   | 08332X4R59A.DWG        | .XXX                       | ±0.004 |                              |             |          |           |          |

