

## NBFM Multi channel Data Packet Link Radios

Inexperienced users of ISM band radio modules often require a totally transparent interface. This can require considerable processing power, and buffer memory, to be provided in the radio device.

The more experienced user, on the other hand, may not want to write a raw radio interface, but desires a module that gives more control over the datastream than a 'beginners' solution.

The PL radios represent such a compromise solution.



Figure 1: PLT2 transmitter and PLR2 receiver

### Features

- Conforms to EN 300 220-3 and EN 301 489-3
- High performance double superhet. PLL synthesizer with TCXO
- SAW front-end filter
- User interface speed: 9600bps for standard module
- Usable range over 1km
- Fully screened. Low profile
- Re-programmable via RS232 interface
- Low power requirements

### Applications

- Wireless handheld terminals
- EPOS equipment, barcode scanners
- Data loggers
- Industrial telemetry and telecommand
- In-building environmental monitoring and control
- High-end security and fire alarms
- DGPS systems
- Vehicle data up/download
- Heavy vehicle/machinery controls

### Technical Summary

- Operating frequency: 173.200 - 173.325MHz (UK band)
  - 150.825 - 152.450MHz (Australian Band)
  - 433.875 - 434.650MHz (EU band)
  - 458.525 - 459.1MHz (UK band)
- Other custom VHF and UHF bands
- 32 channels @ 25kHz channel spacing
- Transmit power: +10dBm (10mW) / +20dBm (100mW)
- Supply range: 3.1 – 15V (TX @ 10mW and RX), 4.1 – 15V (TX @ 100mW)
- Current consumption: 34mA @ 10mW, 90mA @ 100mW (transmit) and 20mA (receive)
- Data bit rate: 5kbps max. (standard module)
- Receiver sensitivity: -118dBm (for 12 dB SINAD)
- Serial configuration by inverted RS232 at 3V CMOS level

**Evaluation platforms:** NBEK + PL carrier

## PLT / PLR data packet link radios

The PL modules use the hardware of the existing LMT/LMR transmitter receiver pair, combined with completely new firmware to produce a simple to use but readily controllable data link

Both radios have a similar pinout. The bidirectional DATA pin requires an inverted RS232 data interface, at 3V CMOS logic levels (Both DATA and FLOW are bidirectional. As outputs they are open drain pins with 50K pullups to the internal Vcc, and 470 series protection resistors. Do not exceed 3v on these pins).

The  $\overline{\text{CMD}}$  pin selects the operating mode: If pulled low, then serial data is routed to a command interpreter (see 'programming') . If high (floating) then received bytes are loaded into the buffer (the PLR receiver only inputs data in command mode of course).

When the buffer is full, the transmitter either sends a databurst immediately, or waits for a command from the user

The transmitter data buffer size is pre-set by a user command (from 1-32 bytes)

The data format uses is modified biphase at a peak data rate of 2500 bits per second. Each burst consists of a framing sequence, a two byte address, a two byte checksum, and a variable length (1-32 bytes) data 'payload'. The payload length information is coded into the framer sequence.

Minimum length (1 byte) bursts take about 70mS (including all transmitter setup and power on/off timings), while a full 32 byte burst requires over 250mS.

Data transfer rate is limited by the interface's inability to receive data while transmitting a burst (if FLOW is high, then the PLT is not listening to the serial port at all), or to decode received packets while in the process of outputting one

The standard products use a 9600 baud user interface speed. Slower versions are also available (1200, 2400 and 4800 baud, with suffixes -1, -2, and -4). The baud rate is not user programmable.

# PLT2 transmitter

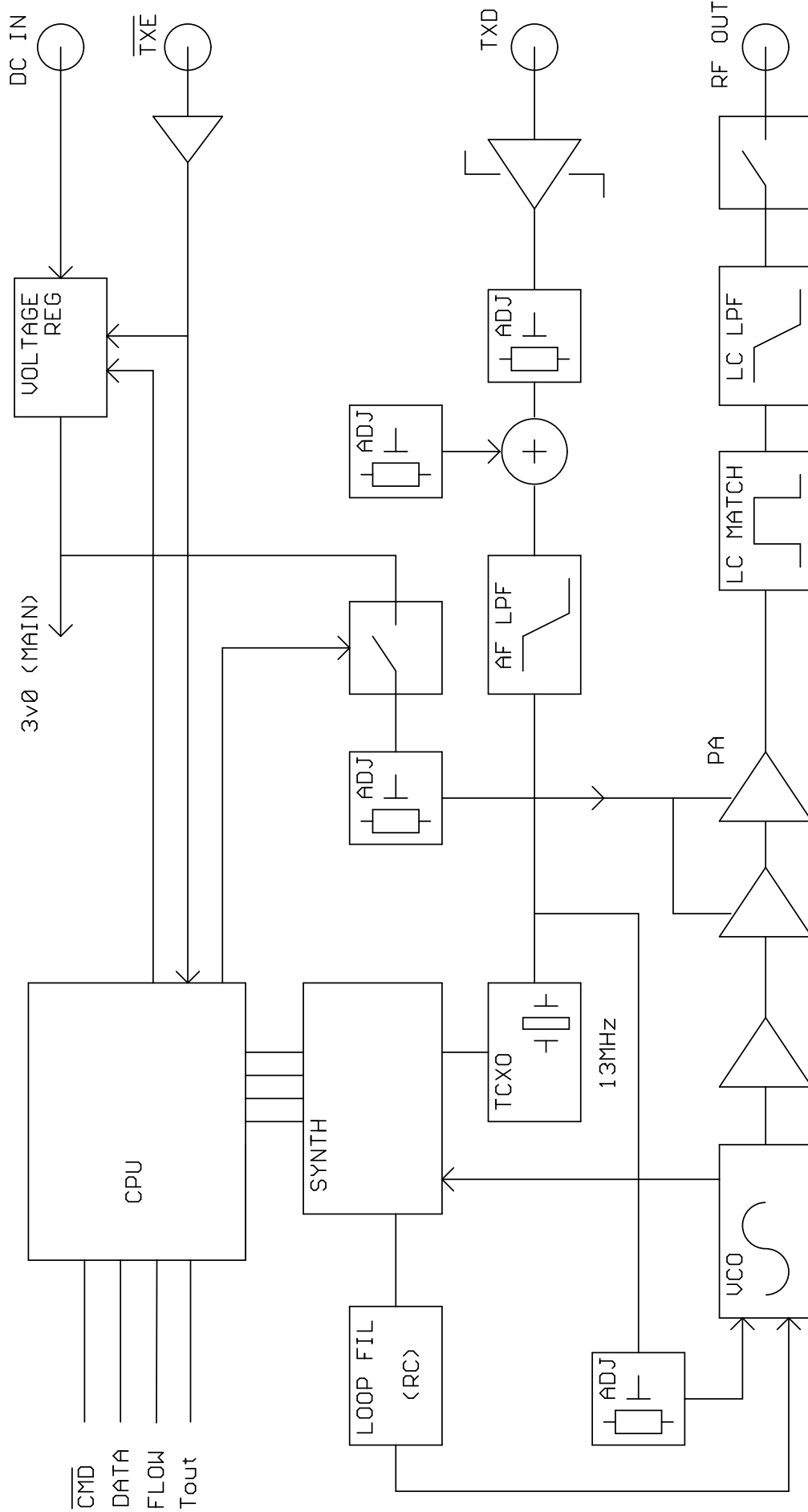


Figure 2: PLT block diagram

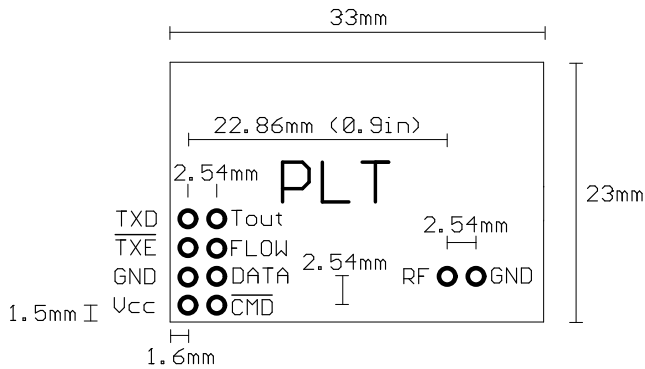


Figure 3: PLT footprint (top view)

### Pin description – PLT

Pin	Name	Function
1a	Vcc	3.1 – 15V power supply (@ 10mW) 4.1 – 15V power supply (@ 100mW)
2a	0V	Ground
3a	TXE	Transmit Enable (active low)
4a	TXD	(link to 4b)
1b	CMD	Command mode select input
2b	DATA	Serial data out/in
3b	FLOW	Buffer full / busy output
4b	T <sub>out</sub>	(link to 4a)

### Notes:

1. This pinout is very similar to the LMT radios but the serial data is on pin 2b (not 1b, which is here used as the command mode select input)
2. Serial programming is by an inverted, CMOS logic level, 9600 baud RS232 datastream applied to the DATA pin (2b).
3. TXE has a 100kΩ pullup to Vcc
4. All pins are on an 0.1" grid
5. In the 'off' state a PIN switch open circuits the RF output pin. There are no 'off' state spuri.
6. 10mW unit will operate (with marginally reduced specifications and lower (6-8mW) output power) from a 3.0V rail. This must be well regulated and without noise or ripple, as in this state the unit's internal regulator no longer operates, and provides no supply rejection.
7. 100mW versions should not be run continuously from supply voltages > 9v
8. Do not exceed 3v logic levels on any input (4v for 100mW PLT units)

### Application circuit

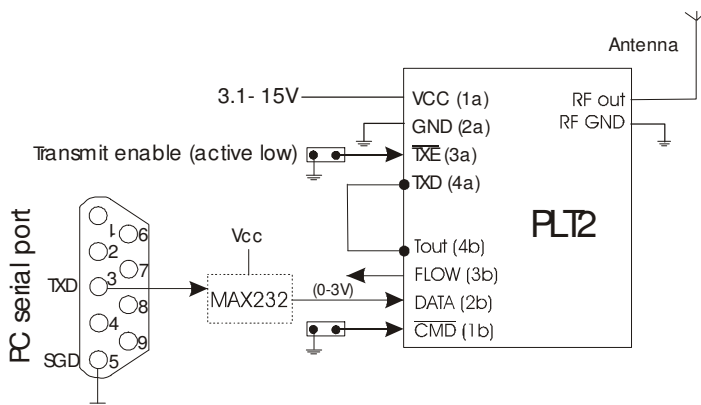


Figure 4 : Typical RS232 interface for programming and data input

# PLR receiver

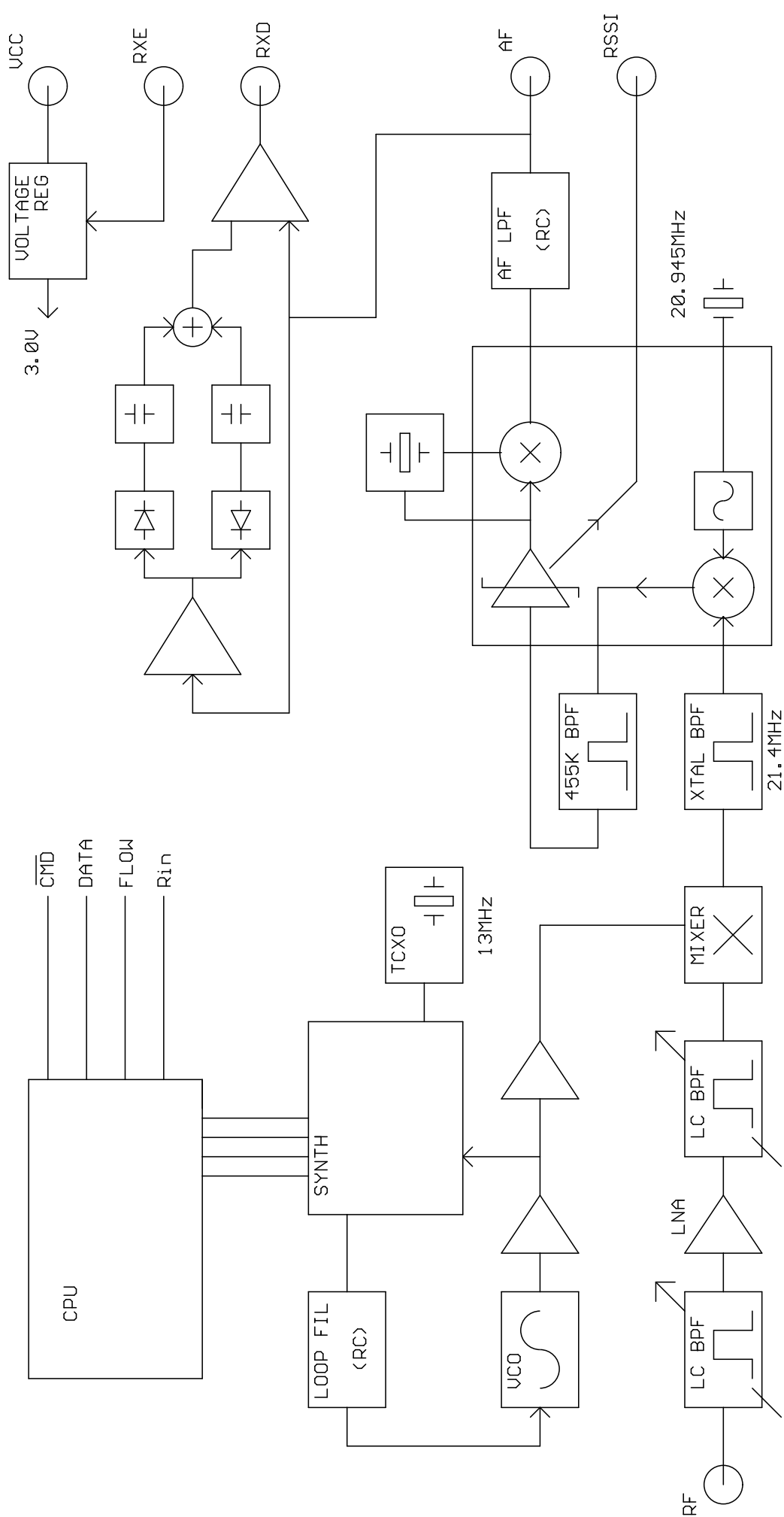


Figure 5: PLR block diagram

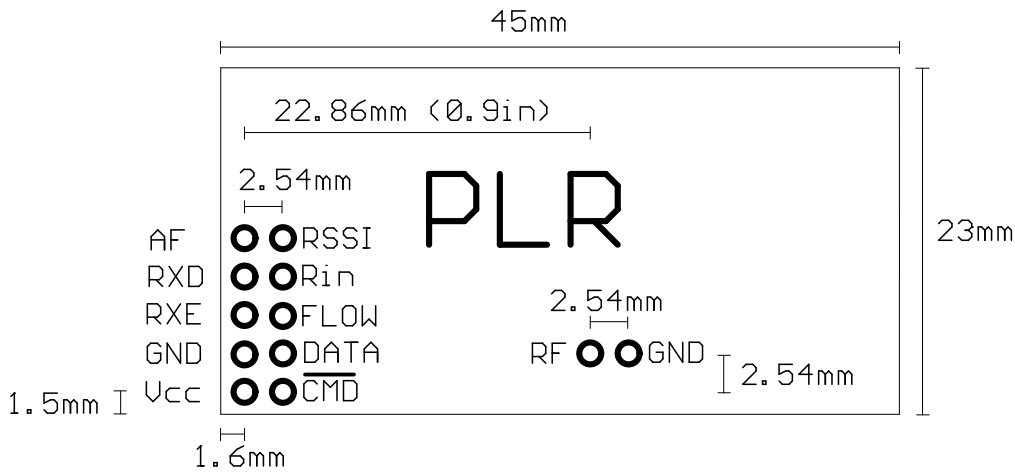


Figure 6: PLR footprint (top view)

### Pin description – PLR

Pin	Name	Function
1a	Vcc	3.1 – 15V power supply (@ 10mW)
2a	0V	Ground
3a	RXE	Receiver Enable (active high)
4a	RXD	(link to 4b)
5a	N/C (AF out)	700mV p-p audio. DC coupled, approx 0.8v bias
1b	CMD	Command mode select input
2b	DATA	Serial data out/in
3b	FLOW	Valid data/serial output in progress
4b	R <sub>in</sub>	(link to 4a)
5b	RSSI	DC level between 0.5v and 2.2v. 60dB dynamic range

### NOTES:

1. This pinout is very similar to the LMR radios but the serial data is on pin 2b (not 1b, which is here used as the command mode select input)
2. Serial programming is by an inverted, CMOS logic level, 9600 baud RS232 datastream applied to the DATA (2b) pin.
3. All pins are on an 0.1" grid
4. Unit will operate (with marginally reduced specifications) from a 3.0v rail. This must be well regulated and without noise or ripple, as in this state the unit's internal regulator no longer operates, and provides no supply rejection
5. Do not exceed 3v logic levels on any input

### Application circuit

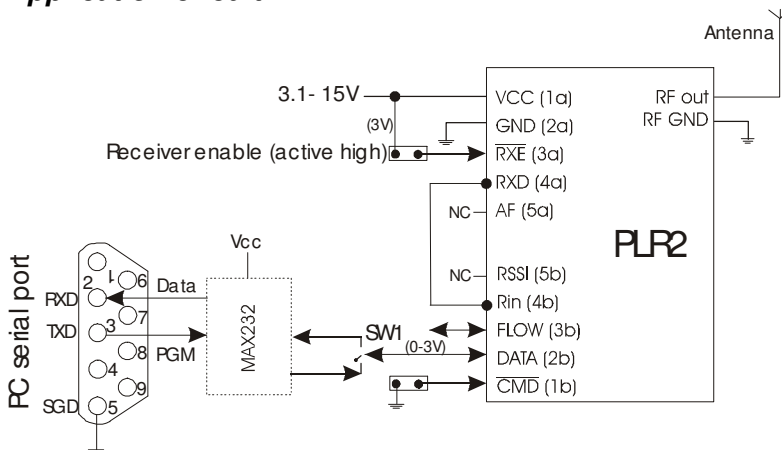


Figure 7: Typical RS232 interface for programming input and data output

## Serial interface commands

A 9600 baud cmos level 'inverted RS232 format' (1 start bit, 8 data, 1 or 2 stop bits, no parity) is used.

Serial data is sent to the DATA (2b) pin.

These units employ a sub-set of the programming commands used by standard LMT/LMR modules. As the DATA pin is dedicated to serial communication only, the 'ENABLESERIALMODE' command used for LMT/LMR string is NOT required.

To successfully program the unit it must be in active state (RXE high, or TXE low), and CMD must be pulled low. Provision should be made to force the unit into this state while programming (either a jumper, or a third pin on the programming connector, could be used). The basic units do not provide local echo, but this is a provision on the evaluation interface boards

Commands	Function	Note
GOCHAN aa	Serially select channel aa, (ch0 to ch31)	Responds with OK
LOAD aa nnnnn	Set value of N register for channel aa, (Channels 0 to 31)	Responds with OK
SINGLE nnnnn	Direct override of N register value	Responds with OK
RVALUE rrrr	Set value for R register	Responds with OK
AVALUE aaaaa	Set value for unit address	Responds with OK
BVALUE bb	Set buffer size (01 – 32, PLT only)	Responds with OK
SVALUE sss	Set ascii value of 'send' character	Responds with OK
MVALUE mmm	Set mode byte (0-255, PLT only)	Responds with OK
ADDR xxxxx	Volatile short address	No response
CHAN aa	Volatile channel select	No response
TEST	Transmitter test (carrier on, 250Hz square wave. PLT only) (any character sent to the unit will exit 'test' mode)	
<cr>	Process entry	Ascii 13
/	Clear all buffers	Ascii 47
<	Clear data buffer	Ascii 60
>	send burst (if data buffer isn't empty)	Ascii 62

aa = a two digit channel number from 00 to 31 (lead zero is **important**)

bb = buffer size from 1 to 32 (lead zero is irrelevant)

mmm = mode byte value (0-255) (lead zero is irrelevant)

sss = ascii value of 'send' character (0-255) (lead zero is irrelevant)

nnnnn = a synthesizer N register value, (up to 65535)

rrrrr = the synthesizer R register value, (up to 16383)

xxxxx = address (up to 65535)

$$PLT = N_{TX} = \frac{f_{RF}}{f_{Channelspacing}} = \frac{433.900MHz}{25kHz} = 17356 \quad R = \frac{f_{TCXO}}{f_{channelspacing}} = \frac{13MHz}{25kHz}, \text{ So } R=520$$

**VHF PLT units have 10MHz, not 13MHz reference oscillators:**

$$R = \frac{f_{TCXO}}{f_{channelspacing}} = \frac{10MHz}{25kHz}, \text{ So } R=400 \text{ (for VHF PLT)}$$

$$PLR = N_{RX} = \frac{f_{RF} - 21.4MHz}{f_{Channelspacing}} = \frac{433.900MHz - 21.4}{25kHz} = 16500$$

**Note:** A pause of at least 50ms must be allowed between command strings (EEPROM programming time).

## Operating principle

On receive, the FLOW output goes high at least 400uS (typically 480uS) before beginning of the start bit of the first byte out  
it goes low again 12uS after the end of the last byte stop-bit

This output can be polled, or used as an interrupt, to detect the arrival of a data byte (or bytes)  
(tx measurements made on 32byte bursts, default mode 'send on buffer full')

On transmit, the FLOW output goes high 80uS after the end of the 32nd byte  
(about 25-30mS after this point, the tx keys up and starts sending the burst)  
it returns to low when the transmitter has ramped fully down

A 32 byte burst takes around 250mS to send, from first byte into tx, to last out of rx  
(it's about 218mS from the start of the first byte in to the FLOW output returning low)

For a 32 byte burst, FLOW is high for about 185mS

Although such asynchronous operation is not really recommended (especially for timing-uncertain devices like PCs, and especially when running high level languages and/or multiple applications), it is also possible to send a 32 byte burst roughly every 225mS, for an aggregate throughput of about 140 bytes per second (1400 baud)  
(this is not the intended operating mode for the devices, but it does give an idea of the capabilities)

It would be much better (if maximum data rate was wanted) to send a (32byte) burst when the FLOW output is low

## The MODE byte

This is a value stored in EEPROM, that selects the various operating functions of the radio. Be careful. By setting this incorrectly you can disable your radio link

Factory default (send when buffer full, clear buffer on exit from setup mode) is selected by MVALUE 0

### Functions of the mode byte bits.

Bit0	when zero the PLT will send when it's buffer is full
Bit1	when zero the PLT clears the data buffer on exit from command mode
Bit2	set: send burst on entering command mode (if buffer has any data in it)
Bit3	set: send burst on stop-bit over-run (ie: serial pin is low for more than 1.04mS)
Bit4	set: clear data buffer on stop-bit over-run
Bit5	set: send burst on receiving the character specified by SVALUE in the datastream
Bit6	set: send burst if the gap following a character exceeds approx 4.2mS
Bit7	reserved

Additionally, there are a few command mode characters that can be used :

> send burst (if data is present in the buffer)  
< clear data buffer

Obviously: bit 3 and bit 4 should not be set at the same time  
bit 1 should be set if a command mode controlled send is used with a 'bouncy' CMD drive (switch)  
if bit 2 is set then it doesn't matter what bit 1 is doing !

Bit 6 (timeout mode) is best used with BVALUE 32 and other bits inactive

To generate a stop-bit over-run, either pull down the serial input pin for over 1.04mS (1 byte at 9600 baud),  
Or send a 00 (null, CTRL @ character ) at a slower baud rate

## Condensed specifications

<b>Frequency</b>	433MHz EU, 458MHz / 173MHz UK and 151MHz Australian bands As supplied: EU version: 433.875 - 434.65MHz UK version: 458.525 - 459.1MHz 173.200 - 173.325MHz Australian version: 150.825 - 152.450MHz And other custom VHF and UHF bands
<i>Frequency stability</i>	±1.5kHz
<i>Channel spacing</i>	25kHz
<i>Number of channels</i>	32 (controlled via RS232 interface)
Operating temperature	-20 °C to +55 °C (Storage -30 °C to +70 °C)
Spurious radiations	Compliant with ETSI EN 300 220-3 and EN 301 489-3
<b>Transmitter</b>	
Output power	+10dBm (10mW) ±1dB (factory adjustable 1 - 25mW) +20dBm (100mW) ±1dB (factory adjustable 25 - 100mW)
Peak deviation	±3kHz
Modulation type	2.5kbps FSK (biphase) data stream
TX modulation bandwidth	DC – 5kHz (3V CMOS compatible)
Adjacent channel TX power	<-37dBm
TX spurious	<-45dBm (no output in Standby)
Supply	
<i>Voltage</i>	3.1V – 15V (1-25mW) 4.1 – 15V (25 – 100mW)
<i>Current</i>	35mA @ 10mW (nominal) 65mA @ 50mW (nominal) 100mA @ 100mW (nominal) <9µA standby (TXE high or floating)
Inputs	data (CMOS/TTL compatible)
Size	33 x 23 x 9mm (BiM sized footprint, new pinout)
Interface <i>User</i>	10 (8) pin 0.1" pitch dual row (5+5 or 4+4) header
<i>RF</i>	2pin 0.1" pitch
Recommended PCB hole size	1.2mm
<b>Receiver</b>	
Sensitivity	-115dBm for <0.1% data errors)
AF bandwidth (-3dB)	4kHz
image	<-60db
spuri / adjacent channel	<-65db
blocking	- 84dB
LO re-radiation	-60dBm
Auxiliary outputs	RSSI, audio
Supply	
<i>Voltage</i>	3.1V – 15V
<i>Current</i>	20mA receive <1µA standby (RXE low)
Size	46 x 23 x 9mm
Interface <i>User</i>	10 pin 0.1" pitch dual row (5+5) header
<i>RF</i>	2pin 0.1" pitch
Recommended PCB hole size	1.2mm

## RX Received Signal Strength Indicator (RSSI)

The PLR receiver has wide range RSSI that measures the strength of an incoming signal over a range of 60dB or more. This allows assessment of link quality and available margin and is useful when performing range tests.

The output on pin 5b of the module has a standing DC bias of up to 0.5V with no signal, rising to 2.5V at maximum indication (RF input levels of -40dBm and above).  $\Delta V_{\text{min-max}}$  is typically 2V and is largely independent of standing bias variations. Output impedance is 40k $\Omega$ . Pin 5b can drive a 100 $\mu\text{A}$  meter directly, for simple monitoring.

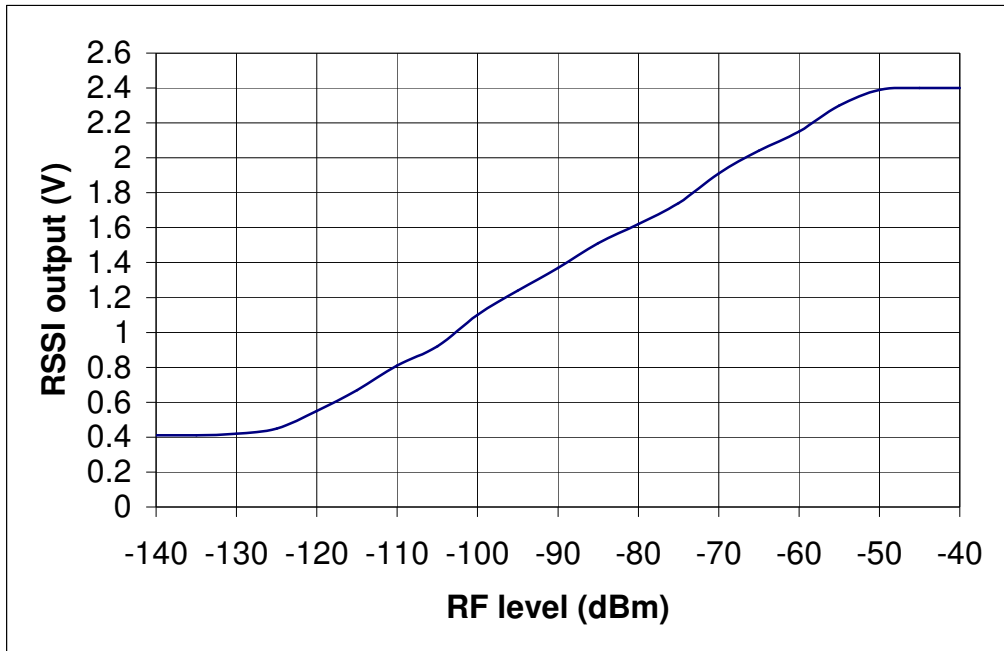


Figure 8: typical RSSI level with respect to received RF level at PLR antenna pin

## Antenna requirements

Three types of integral antenna are recommended and approved for use with the module:

- A) **Whip** This is a wire, rod ,PCB track or combination connected directly to RF pin of the module. Optimum total length is 16.4cm (1/4 wave @ 433MHz). Keep the open circuit (hot) end well away from metal components to prevent serious de-tuning. Whips are ground plane sensitive and will benefit from internal 1/4 wave earthed radial(s) if the product is small and plastic cased
- B) **Helical** Wire coil, connected directly to RF pin, open circuit at other end. This antenna is very efficient given it's small size (20mm x 4mm dia.). The helical is a high Q antenna, trim the wire length or expand the coil for optimum results. The helical de-tunes badly with proximity to other conductive objects.
- C) **Loop** A loop of PCB track tuned by a fixed or variable capacitor to ground at the 'hot' end and fed from RF pin at a point 20% from the ground end. Loops have high immunity to proximity de-tuning.

Feature	A	B	C
	<i>whip</i>	<i>helical</i>	<i>loop</i>
Ultimate performance	***	**	*
Easy of design set-up	***	**	*
Size	*	***	**
Immunity proximity effects	*	**	***
Range open ground to similar antenna	500m	200	100

The antenna choice and position directly controls the system range. Keep it clear of other metal in the system, particularly the 'hot' end. The best position by far, is sticking out the top of the product. This is often not desirable for practical/ergonomic reasons thus a compromise may need to be reached. If an internal antenna must be used, try to keep it away from other metal components, particularly large ones like transformers, batteries and PCB tracks/earth plane. The space around the antenna is as important as the antenna itself.

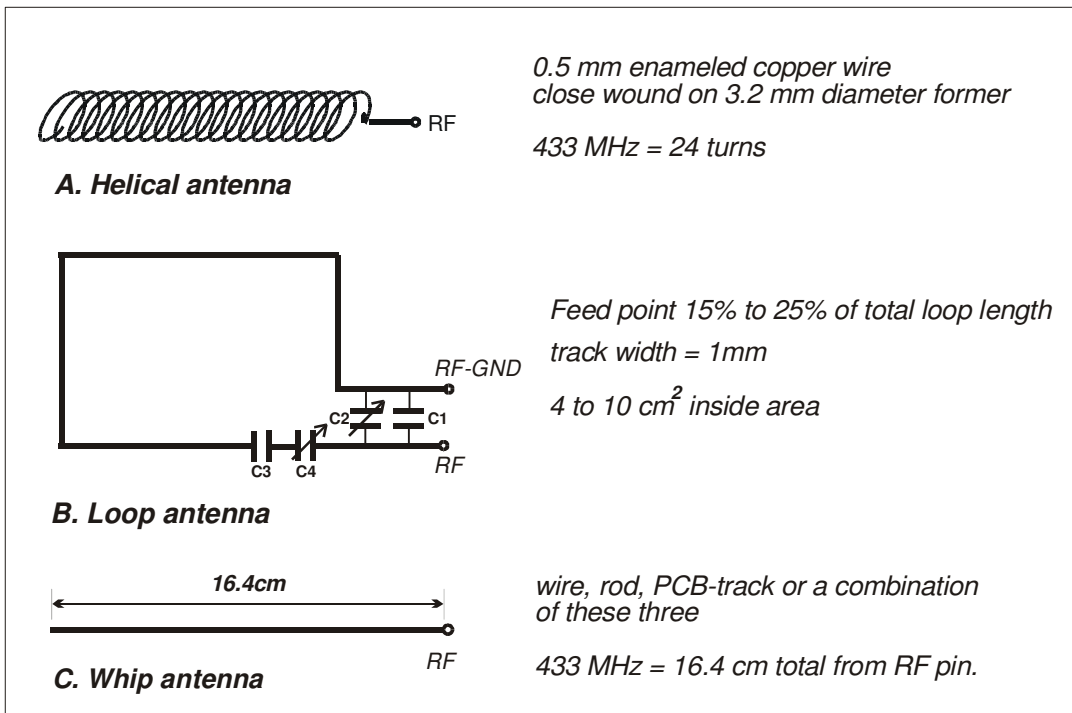


Figure 9: Antenna types (for 433MHz) band)

## Ordering Information:

Part No.	Description	Frequency band (MHz)	Supply (V)	RF power (mW)	Data rate
<b>VHF</b>					
PLT1-173-9	Transmitter	173.200 - 173.325	3.1 -15	10	9600bps
PLR1-173-9	Receiver	173.200 - 173.325	3.1 -15		9600bps
PLT1-151-9	Transmitter	150.825 - 152.450	4.1 -15	100	9600bps
PLR1-151-9	Receiver	150.825 - 152.450	3.1 -15		9600bps
<b>UHF</b>					
PLT2-433-9	Transmitter	433.875-434.650	3.1 -15	10	9600bps
PLR2-433-9	Receiver	433.875-434.650	3.1 -15		9600bps
PLT2-458-9	Transmitter	458.525 - 459.1	4.1 -15	100	9600bps
PLR2-458-9	Receiver	458.525 - 459.1	3.1 -15		9600bps

### Notes:

1. The standard products use a 9600 baud user interface speed. Slower versions are also available (1200, 2400 and 4800 baud, with suffixes -1, -2, and -4). e.g.: PLT1-173-4 (for 4800 baud)
2. PLT/PLR are available on number of other VHF and UHF frequencies. Other UHF band frequencies are subject to SAW filter availability. e.g. 315, 419, 429, 448, 465MHz etc

# **Radiometrix Ltd**

**Hartcran House  
231 Kenton Lane  
Harrow, Middlesex  
HA3 8RP  
ENGLAND**

**Tel: +44 (0) 20 8909 9595  
Fax: +44 (0) 20 8909 2233  
sales@radiometrix.com  
www.radiometrix.com**

## **Copyright notice**

This product data sheet is the original work and copyrighted property of Radiometrix Ltd. Reproduction in whole or in part must give clear acknowledgement to the copyright owner.

## **Limitation of liability**

The information furnished by Radiometrix Ltd is believed to be accurate and reliable. Radiometrix Ltd reserves the right to make changes or improvements in the design, specification or manufacture of its subassembly products without notice. Radiometrix Ltd does not assume any liability arising from the application or use of any product or circuit described herein, nor for any infringements of patents or other rights of third parties which may result from the use of its products. This data sheet neither states nor implies warranty of any kind, including fitness for any particular application. These radio devices may be subject to radio interference and may not function as intended if interference is present. We do NOT recommend their use for life critical applications.

The Intrastat commodity code for all our modules is: 8542 6000

## **R&TTE Directive**

After 7 April 2001 the manufacturer can only place finished product on the market under the provisions of the R&TTE Directive. Equipment within the scope of the R&TTE Directive may demonstrate compliance to the essential requirements specified in Article 3 of the Directive, as appropriate to the particular equipment.

Further details are available on The Office of Communications (Ofcom) web site:

***<http://www.ofcom.org.uk/>***

### *Information Requests*

*Ofcom*

*Riverside House*

*2a Southwark Bridge Road*

*London SE1 9HA*

*Tel: +44 (0)300 123 3333 or 020 7981 3040*

*Fax: +44 (0)20 7981 3333*

*information.requests@ofcom.org.uk*

### *European Communications Office (ECO)*

*Pebblinghus*

*Nansensgade 19*

*DK 1366 Copenhagen*

*Tel. +45 33896300*

*Fax +45 33896330*

*ero@ero.dk*

*www.ero.dk*

---