

THE INFORMATION CONTAINED HEREIN IS CONSIDERED "PROPRIETARY" TO BEL FUSE INC. AND SHALL NOT BE COPIED, REPRODUCED OR DISCLOSED WITHOUT THE WRITTEN APPROVAL OF BEL FUSE INC.

PRELIMINARY



ELECTRICAL CHARACTERISTICS @ 25°C

URNS RATIO

TP1	1CT : 1CT ±2%
TP2	1CT : 1CT ±2%
TP3	1CT : 1CT ±2%
TP4	1CT : 1CT ±2%

□CL @ 100kHz/100mVRMS

8mA DC BIAS 350μH MIN.

INS. LOSS

0.1MHz TO 1MHz	-1.1 dB MAX
1MHz TO 65MHz	-0.5 dB MAX
65MHz TO 100MHz	-0.8 dB MAX
100MHz TO 125MHz	-1.2 dB MAX

RET. LOSS (MIN)

0.5MHz-40MHz	-18 dB
40MHz-100MHz	-12+20LOG(f/80MHz) dB

CM TO CM REJ

100kHz - 100MHz -30 dB MIN

CM TO DM REJ

100kHz - 100MHz -35 dB MIN

HIPOT (Isolation Voltage): 1500 Vrms

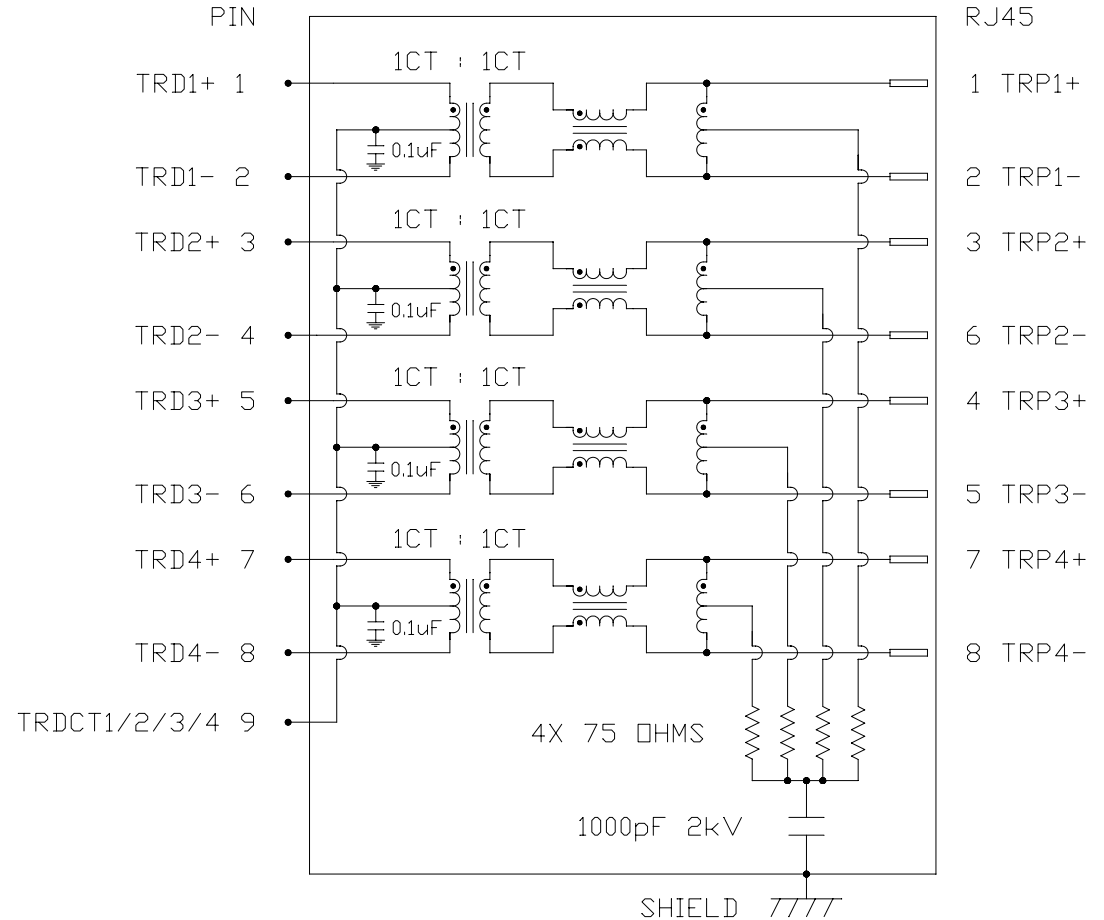
100% OF PRODUCTION TESTED TO COMPLY WITH IEEE 802.3 ISOLATION REQUIREMENTS.

OPERATING TEMPERATURE: -40 TO +85°C

NOTES:

SCHEMATIC & ELECTRICAL CHARACTERISTICS ARE IDENTICAL FOR PORT 1 & PORT 2.

SCHEMATIC

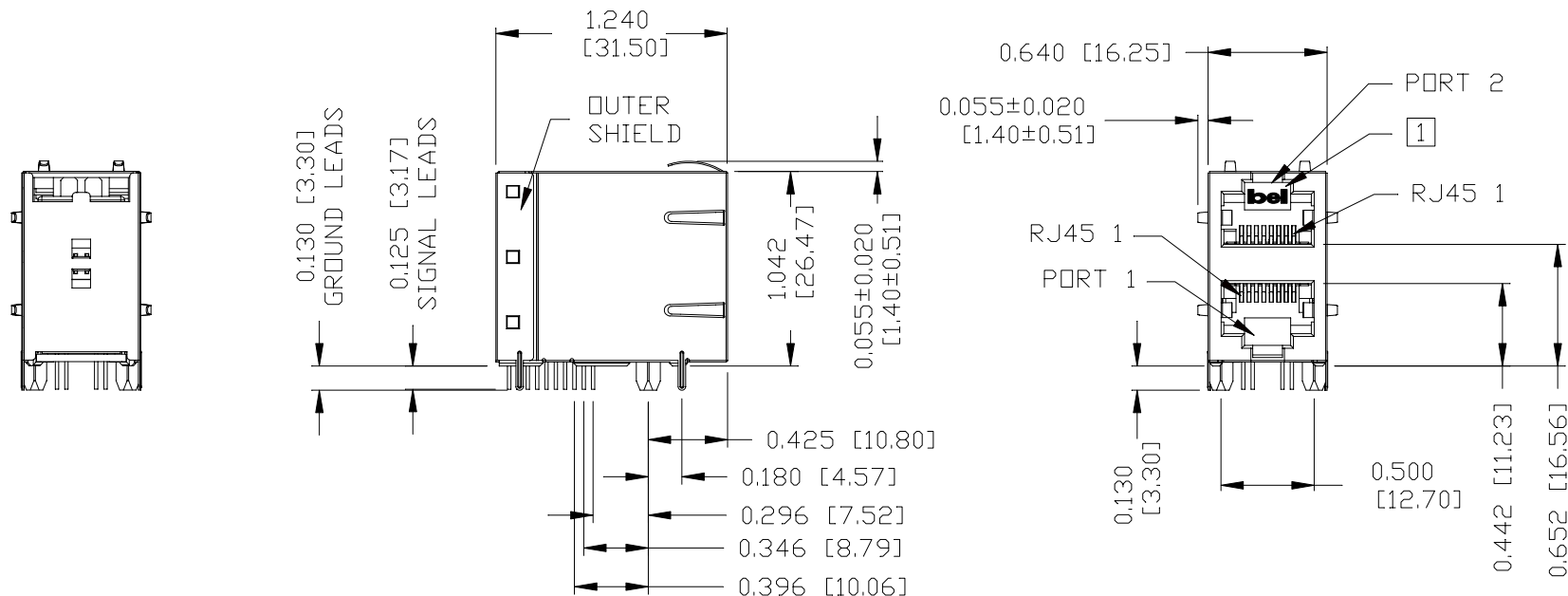
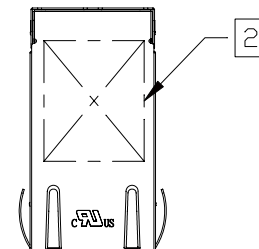


ORIGINATED BY WC CHUNG	DATE 07-20-07	TITLE 2X1 gigabit MagJack® (EXTENDED TEMPERATURE RANGE)	PART NO. / DRAWING NO. 08332X1T74-F	STANDARD DIM. TOL. IN INCH .X .XX .XXX	[] METRIC DIM. AS REFERENCE UNIT : INCH [mm] SCALE : N/A	REV. : PA SIZE : A4 PAGE : 2	<p>COMPONENTS FOR A CONNECTED PLANET</p>
DRAWN BY WEI DE LEE	DATE 07-20-07	TITLE 0833-2X1T-74-F	FILE NAME 08332X1T74-F_PA.DWG				

THE INFORMATION CONTAINED HEREIN IS CONSIDERED "PROPRIETARY" TO BEL FUSE INC. AND SHALL NOT BE COPIED, REPRODUCED OR DISCLOSED WITHOUT THE WRITTEN APPROVAL OF BEL FUSE INC.

PRELIMINARY

RoHS
2002/95/EC



NOTES:

PLASTIC HOUSING: THERMOPLASTIC PBT
 FLAMMABILITY RATING UL 94V-0
 CONTACT PLATING: 50 MICRO-INCH HARD GOLD PLATING
 OUTPUT PINS: TIN-COATED COPPER WIRE, DIA 0.018 INCH.
 METAL SHIELD: NICKEL PLATED ON COPPER ALLOY.
 (ALL GROUND LEADS ARE SOLDER DIPPED)

- [1] JACK CAVITY CONFORMS TO FCC RULES AND REGULATIONS, PART 68 SUBPART F.
- [2] MARK PART WITH MFG LOGO, MFG NAME, PART NUMBER AND DATE CODE.

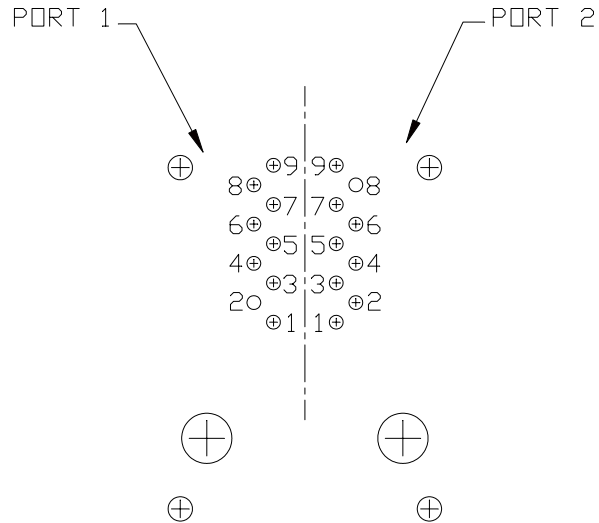
c **UL** **us** UL RECOGNIZED - FILE #E196366 AND E169987.

RoHS COMPLIANT, PER EU DIRECTIVE 2002/95/EC

ORIGINATED BY LIU QIN	DATE 07-20-07	TITLE 2X1 MagJack® (EXTENDED TEMPERATURE RANGE)	PART NO. / DRAWING NO. 08332X1T74-F	STANDARD DIM. TOL. IN INCH	[] METRIC DIM. AS REFERENCE	 COMPONENTS FOR A CONNECTED PLANET
DRAWN BY CHEN TING	DATE 07-20-07	FILE NAME 08332X1T74-F_PA.DWG	.X	UNIT : INCH [mm]	REV. : PA	
			.XX	SCALE : N/A	SIZE : A4	
			.XXX	±0.010		PAGE : 3

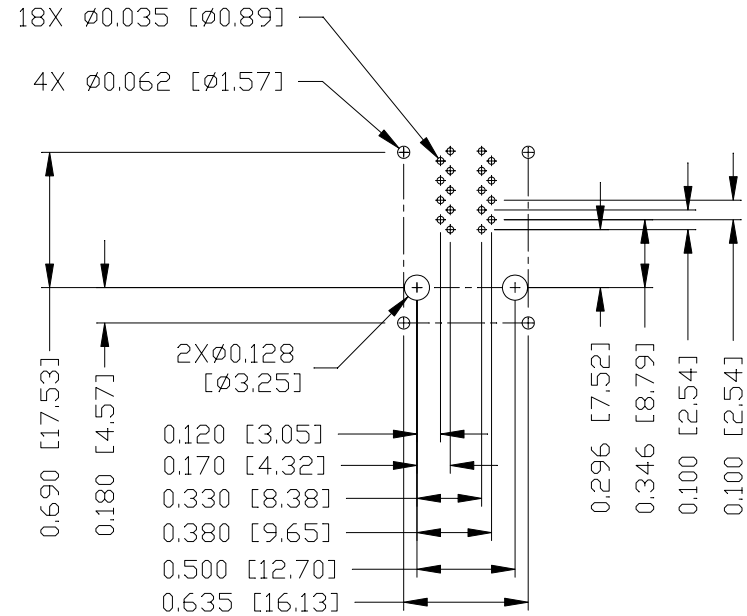
THE INFORMATION CONTAINED HEREIN IS CONSIDERED "PROPRIETARY" TO BEL FUSE INC. AND SHALL NOT BE COPIED, REPRODUCED OR DISCLOSED WITHOUT THE WRITTEN APPROVAL OF BEL FUSE INC.

PRELIMINARY



PIN-OUT INFORMATION
(COMPONENT SIDE VIEW)

1	TRD 1+
2	TRD 1-
3	TRD 2+
4	TRD 2-
5	TRD 3+
6	TRD 3-
7	TRD 4+
8	TRD 4-
9	TRDCT 1/2/3/4



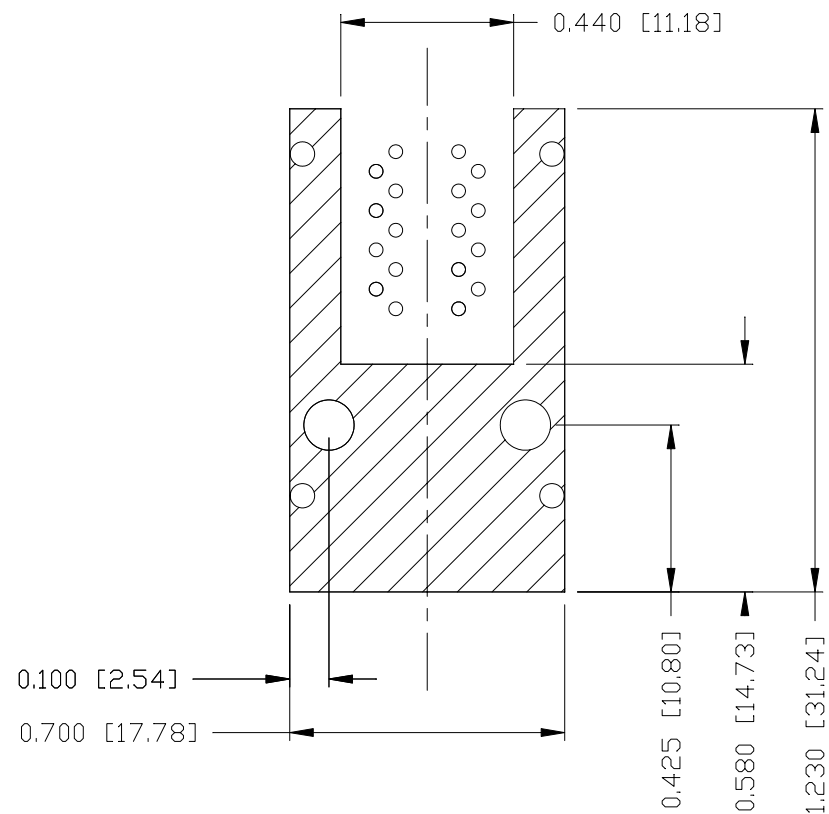
SUGGESTED FOOTPRINT
(COMPONENT SIDE VIEW)

ORIGINATED BY LIU QIN	DATE 07-20-07	TITLE 2X1 gigabit MagJack® (EXTENDED TEMPERATURE RANGE)	PART NO. / DRAWING NO. 08332X1T74-F	STANDARD DIM. TOL. IN INCH	[] METRIC DIM. AS REFERENCE
	DRAWN BY CHEN TING		DATE 07-20-07	FILE NAME 08332X1T74-F_PA.DWG	.X .XX .XXX ±0.004



THE INFORMATION CONTAINED HEREIN IS CONSIDERED "PROPRIETARY" TO BEL FUSE INC. AND SHALL NOT BE COPIED, REPRODUCED OR DISCLOSED WITHOUT THE WRITTEN APPROVAL OF BEL FUSE INC.

PRELIMINARY



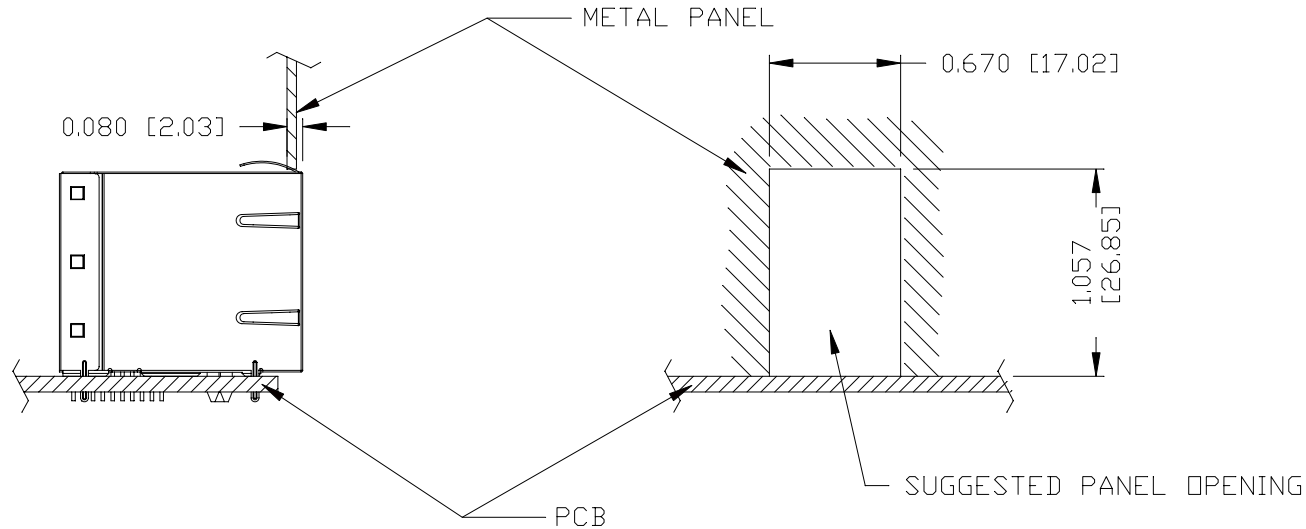
NOTES

THE SHADED AREA ON THE CUSTOMER BOARD ARE RECOMMENDED TO BE CLEAR OFF ANY VIA HOLE OR COMPONENT PAD.

ORIGINATED BY	DATE	TITLE	PART NO. / DRAWING NO.	STANDARD DIM. TOL. IN INCH	[] METRIC DIM. AS REFERENCE	 COMPONENTS FOR A CONNECTED PLANET
LIU QIN	07-20-07	2X1 MagJack®	08332X1T74-F	.X	UNIT : INCH [mm] REV. : PA	
DRAWN BY	DATE	(EXTENDED TEMPERATURE RANGE)	FILE NAME	.XX	SCALE : N/A SIZE : A4	
CHEN TING	07-20-07	0833-2X1T-74-F	08332X1T74-F_PA.DWG	.XXX ±0.004	 PAGE : 5	

THE INFORMATION CONTAINED HEREIN IS CONSIDERED "PROPRIETARY" TO BEL FUSE INC. AND SHALL NOT BE COPIED, REPRODUCED OR DISCLOSED WITHOUT THE WRITTEN APPROVAL OF BEL FUSE INC.

PRELIMINARY



NOTE:

THE DISTANCE OF PANEL INSIDE SURFACE RELATIVE TO FRONT SURFACE OF PART IS ONLY A SUGGESTION. IN CASE THIS DISTANCE IS DIFFERENT, THE REQUIRED PANEL OPENING DIMENSIONS CHANGE ACCORDINGLY.

PACKING INFORMATION

PACKING TRAY: 0200-0148-35 (TOP)
0200-0148-34 (BOTTOM)

PACKING QUANTITY: 40 PCS FINISHED GOODS PER TRAYS
6 TRAYS (240 PCS FINISH GOODS) PER CARTON BOX.

NOTE: CARBILBOARD ARE PLACED BETWEEN LAYERS OF PACKING TRAY INSIDE CARTON BOX.
(INCLUDE THE UPPERMOST AND LOWEREST TRAY)

ORIGINATED BY LIU QIN	DATE 07-20-07	TITLE 2X1 MagJack® (EXTENDED TEMPERATURE RANGE)	PART NO. / DRAWING NO. 08332X1T74-F	STANDARD DIM. TOL. IN INCH	[] METRIC DIM. AS REFERENCE
DRAWN BY CHEN TING	DATE 07-20-07	FILE NAME 0833-2X1T-74-F		.X .XX .XXX	UNIT : INCH [mm] REV. : PA SCALE : N/A SIZE : A4 PAGE : 6
				±0.004	⊕ --- ↗ ---

