

THE INFORMATION CONTAINED HEREIN IS CONSIDERED "PROPRIETARY" TO BEL FUSE INC. AND SHALL NOT BE COPIED, REPRODUCED OR DISCLOSED WITHOUT THE WRITTEN APPROVAL OF BEL FUSE INC.

LED1 POLARITY			LED2 POLARITY		
PIN 13	PIN 14	COLOR	PIN 15	PIN 16	COLOR
-	+	YELLOW	-	+	GREEN
			+	-	ORANGE

ELECTRICAL CHARACTERISTICS @ 25°C

URNS RATIO

TP1	1CT : 1CT ±2%
TP2	1CT : 1CT ±2%
TP3	1CT : 1CT ±2%
TP4	1CT : 1CT ±2%

CL @ 100kHz/100mVRMS

8mA DC BIAS	350mH MIN.
-------------	------------

INS. LOSS

0.1MHz TO 1MHz	-1.1 dB MAX
1MHz TO 65MHz	-0.5 dB MAX
65MHz TO 100MHz	-0.8 dB MAX
100MHz TO 125MHz	-1.2 dB MAX

RET. LOSS (MIN)

0.5MHz-40MHz	-18 dB
40MHz-100MHz	-12+20LOG(f/80MHz) dB

CM TO CM REJ

100kHz - 100MHz	-30 dB MIN
-----------------	------------

CM TO DM REJ

100kHz - 100MHz	-35 dB MIN
-----------------	------------

HIPOT (Isolation Voltage): 1500 Vrms

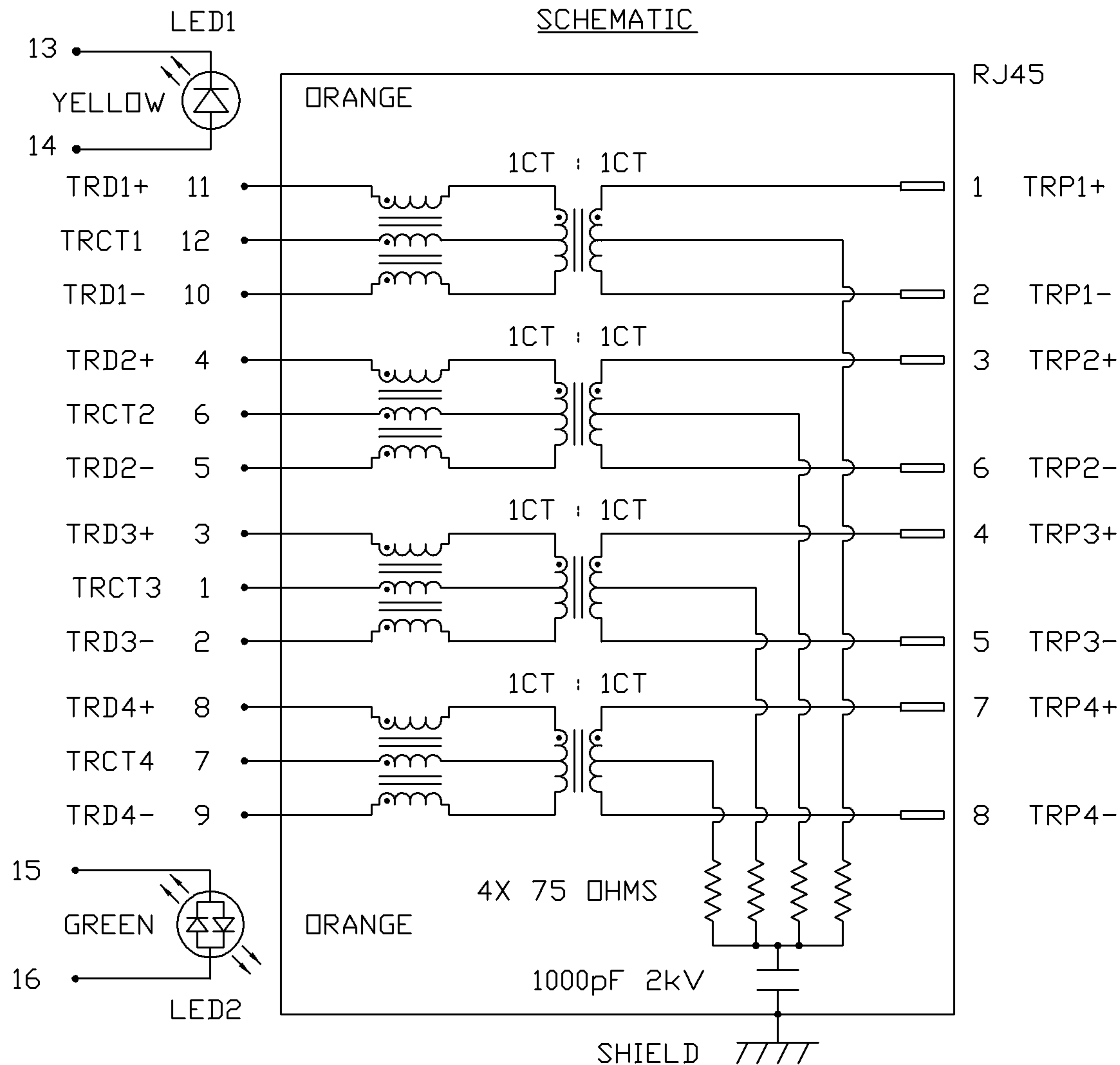
100% OF PRODUCT TESTED IN PRODUCTION

LED 1

V <sub>F</sub> (FORWARD VOLTAGE)	IF=20mA	YELLOW	2.1V TYP.
λ <sub>D</sub> (DOMINANT WAVELENGTH)	IF=20mA	YELLOW	590nm TYP.

LED 2

V <sub>F</sub> (FORWARD VOLTAGE)	IF=20mA	GREEN	2.2V TYP.
		ORANGE	2.0V TYP.
λ <sub>D</sub> (DOMINANT WAVELENGTH)	IF=20mA	GREEN	565nm TYP.
		ORANGE	610nm TYP.



ORIGINATED BY	DATE	TITLE	PART NO. / DRAWING NO.	STANDARD DIM. TOL. IN INCH	[ ] METRIC DIM. AS REFERENCE
CHOW WANCHUNG	08-13-08	1X4 gigabit MagJack® (8 cores, Tab Up)	0826-1X4T-43	.X	UNIT : INCH [mm] REV. : B
DRAWN BY	DATE		FILE NAME	.XX	SCALE : N/A SIZE : A4
LEE WEIDE	08-13-08		0826-1X4T-43_B.DWG	.XXX	PAGE : 2



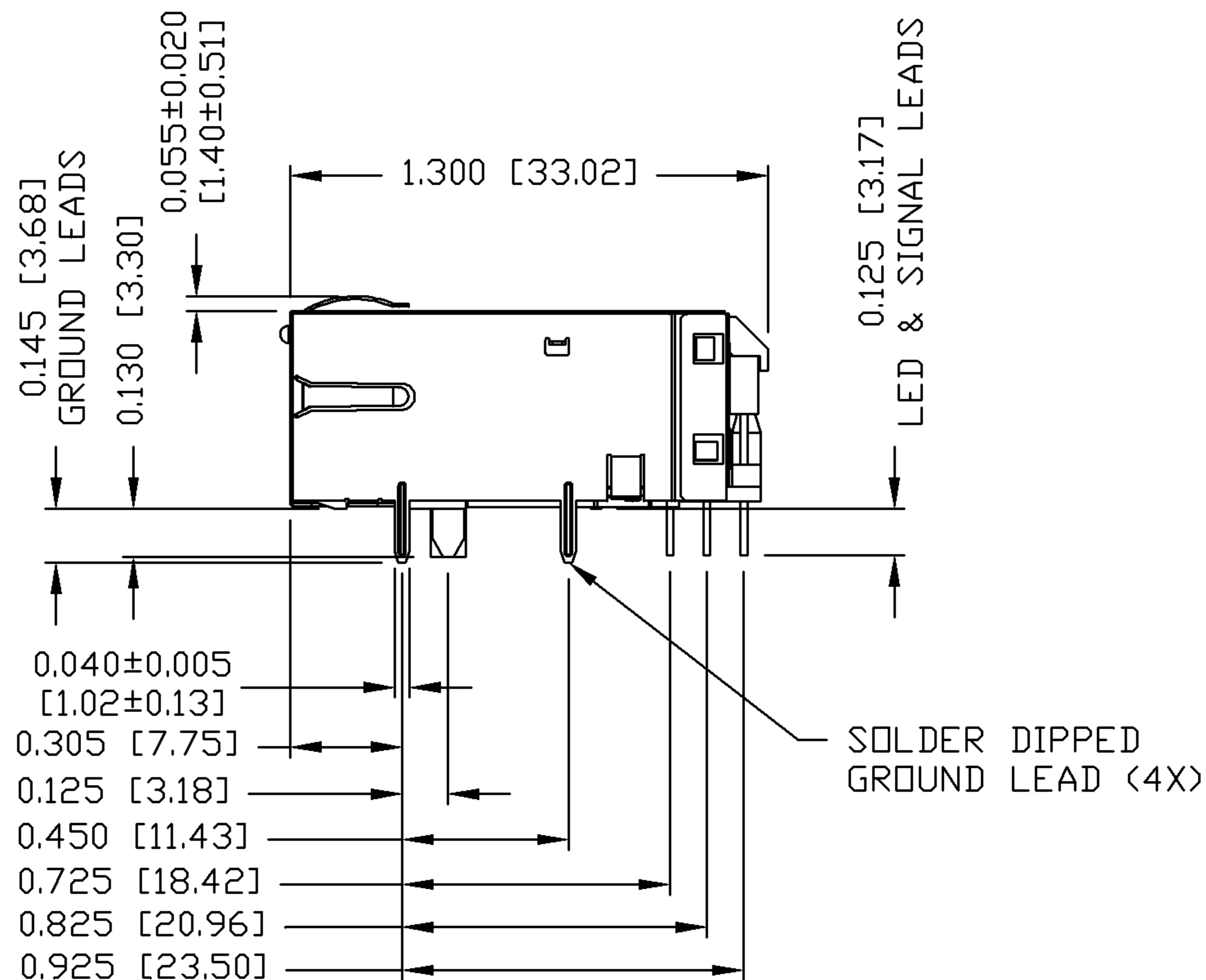
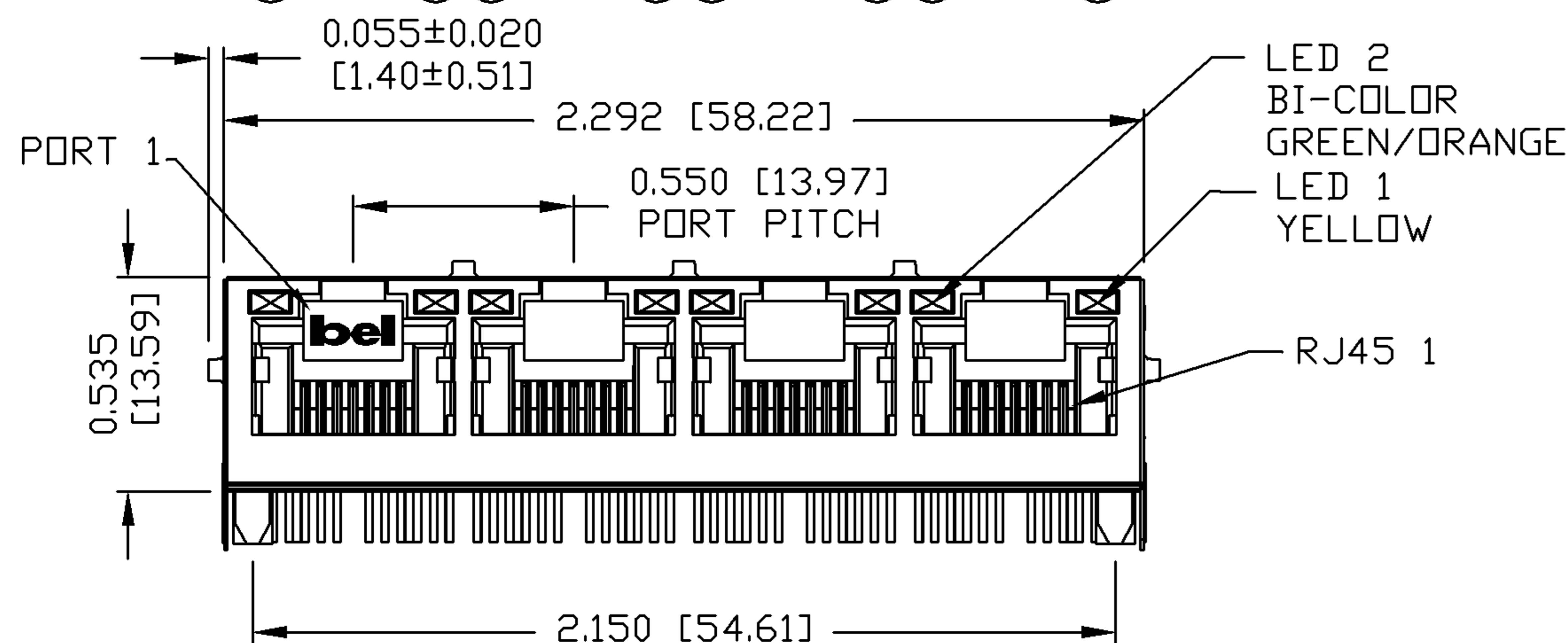
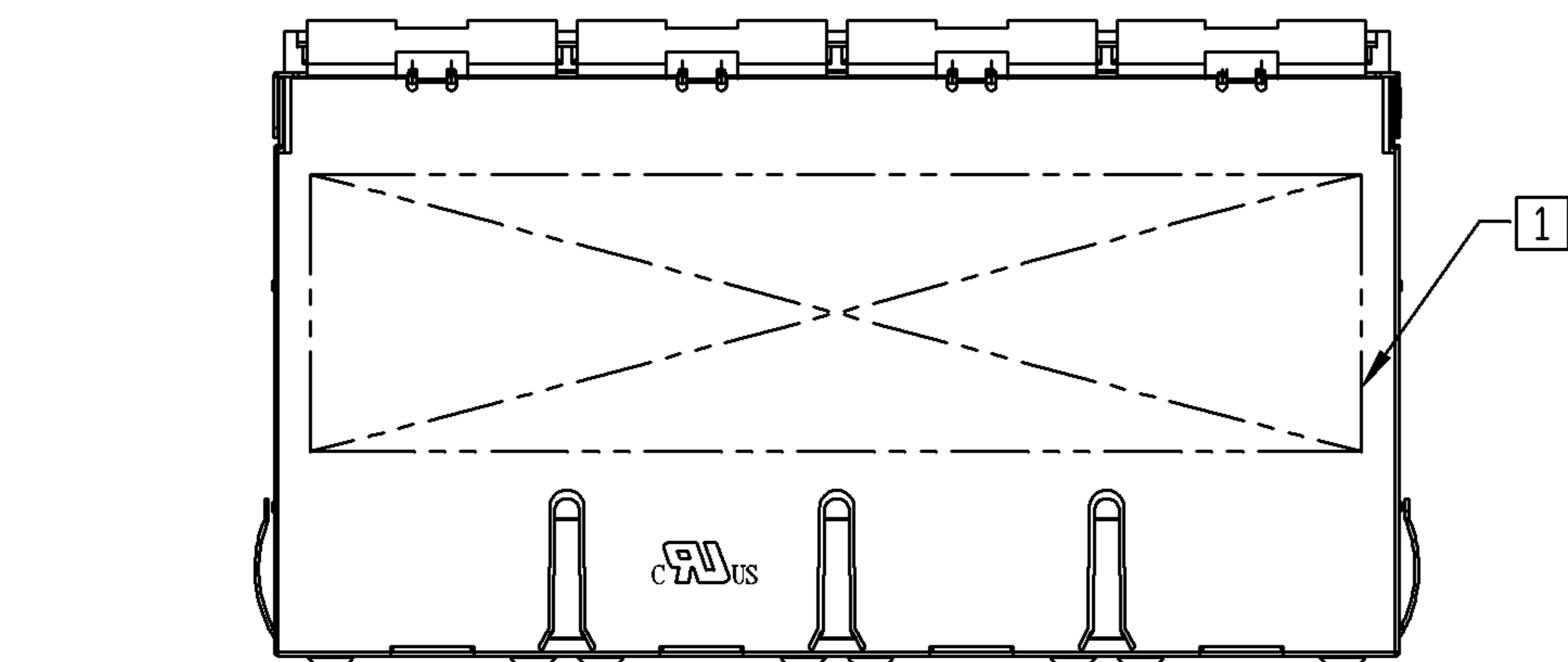
THE INFORMATION CONTAINED HEREIN IS CONSIDERED "PROPRIETARY" TO BEL FUSE INC. AND SHALL NOT BE COPIED, REPRODUCED OR DISCLOSED WITHOUT THE WRITTEN APPROVAL OF BEL FUSE INC.


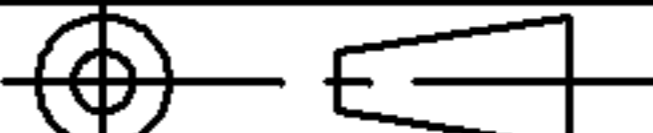
**NOTES:**

PLASTIC HOUSING: THERMOPLASTIC PBT  
 FLAMMABILITY RATING UL 94V-0  
 CONTACTS PLATING: 50 MICRO-INCH HARD GOLD PLATING  
 PINS: TIN-COATED COPPER WIRE, DIA 0.018 INCH.  
 METAL SHIELD: NICKEL PLATED ON COPPER ALLOY.  
 (ALL GROUND LEADS ARE SOLDER DIPPED)

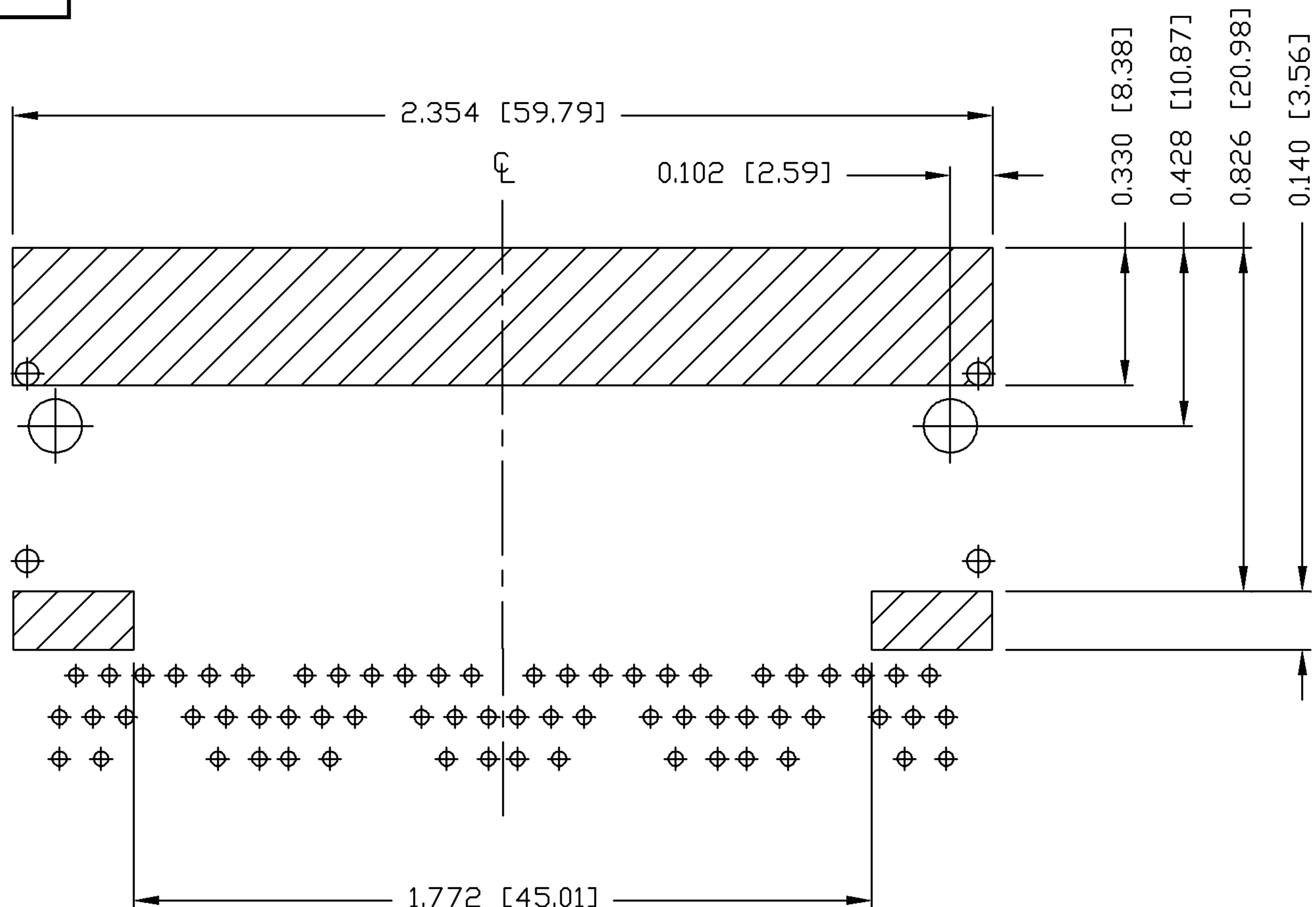
1 MARK PART WITH MFG LOGO, MFG NAME, PART NUMBER AND DATE CODE.

C  US UL RECOGNIZED - FILE #E196366 AND E169987.





ORIGINATED BY ZX HUANG	DATE 08-13-08	TITLE 1X4 gigabit MagJack® (8 cores, Tab Up)	PART NO. / DRAWING NO. 0826-1X4T-43	STANDARD DIM. TOL. IN INCH	[ ] METRIC DIM. AS REFERENCE	 COMPONENTS FOR A CONNECTED PLANET
DRAWN BY BL CHEN	DATE 08-13-08		FILE NAME 0826-1X4T-43_B.DWG	.X .XX .XXX	UNIT : INCH [mm] SCALE : N/A 	

THE INFORMATION CONTAINED HEREIN IS CONSIDERED "PROPRIETARY" TO BEL FUSE INC. AND SHALL NOT BE COPIED, REPRODUCED OR DISCLOSED WITHOUT THE WRITTEN APPROVAL OF BEL FUSE INC.

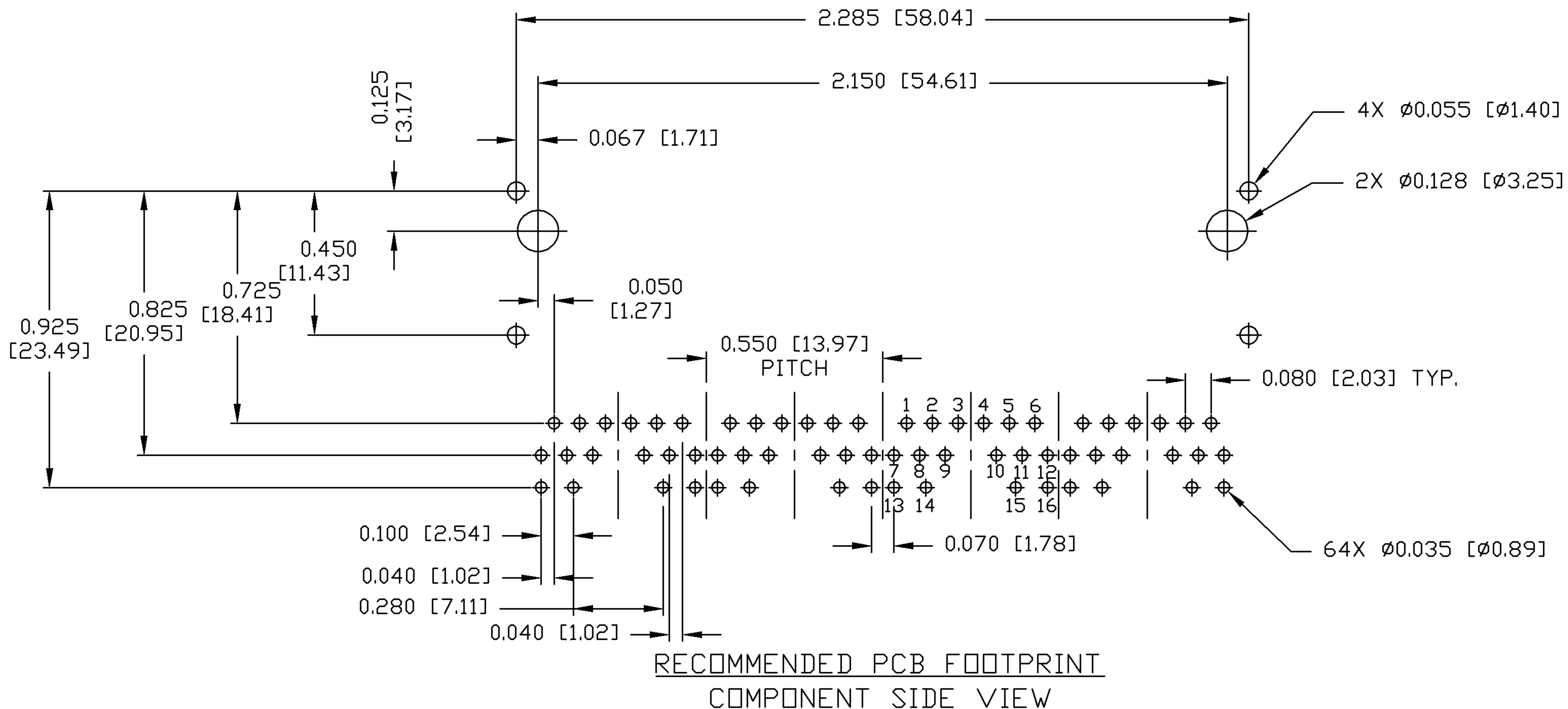


**NOTES:**

THE SHADED AREA ON THE CUSTOMER BOARD ARE RECOMMENDED TO BE CLEAR OFF ANY VIA HOLE OR COMPONENT PAD.

<b>ORIGINATED BY</b> ZX HUANG	<b>DATE</b> 08-13-08	<b>TITLE</b> 1X4 gigabit MagJack® (8 cores, Tab Up)	<b>PART NO. / DRAWING NO.</b> 0826-1X4T-43	<b>STANDARD DIM. TOL. IN INCH</b>	<b>[ ] METRIC DIM. AS REFERENCE</b>	 <b>COMPONENTS</b> <small>PLACEMENT</small>
<b>DRAWN BY</b> BL CHEN	<b>DATE</b> 08-13-08		<b>FILE NAME</b> 0826-1X4T-43_B.DWG	.X .XX .XXX	UNIT : INCH [mm] SCALE : N/A	
				±0.004		

THE INFORMATION CONTAINED HEREIN IS CONSIDERED "PROPRIETARY" TO BEL FUSE INC. AND SHALL NOT BE COPIED, REPRODUCED OR DISCLOSED WITHOUT THE WRITTEN APPROVAL OF BEL FUSE INC.

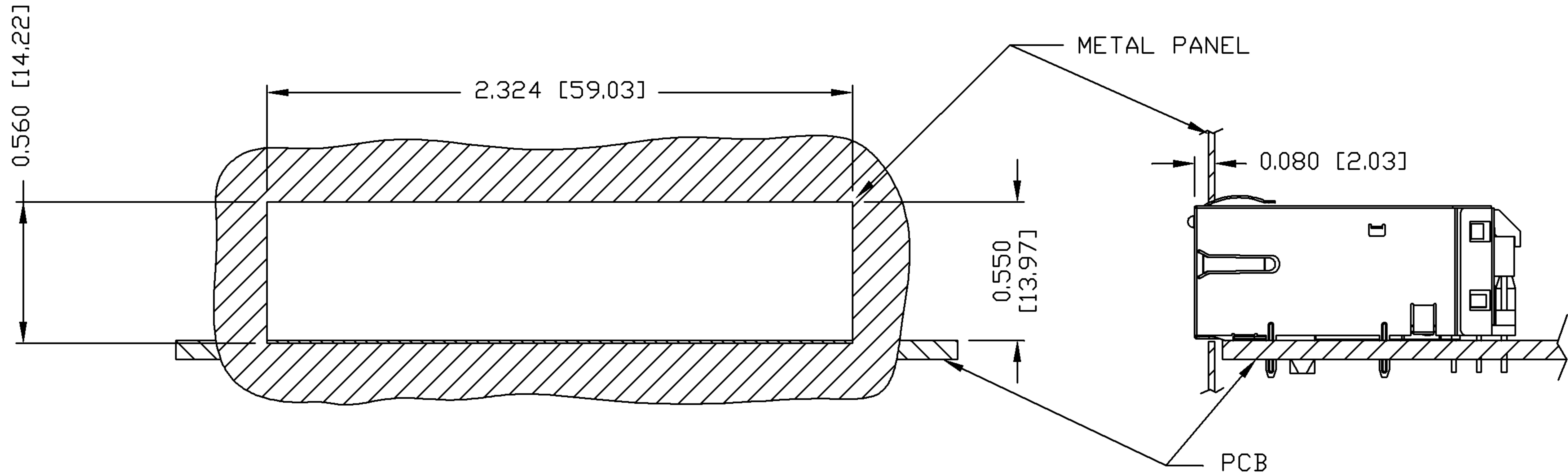


ORIGINATED BY	DATE	TITLE	PART NO. / DRAWING NO.	STANDARD DIM.	[ ] METRIC DIM. AS REFERENCE	
ZX HUANG	08-13-08		0826-1X4T-43	TOL. IN INCH	UNIT : INCH [mm]	REV. : B
DRAWN BY	DATE	1X4 gigabit MagJack® (8 cores, Tab Up)	FILE NAME	.X	SCALE : N/A	SIZE : A4
BL CHEN	08-13-08		0826-1X4T-43_B.DWG	.XX	.XXX	±0.004



THE INFORMATION CONTAINED HEREIN IS CONSIDERED "PROPRIETARY" TO BEL FUSE INC. AND SHALL NOT BE COPIED, REPRODUCED OR DISCLOSED WITHOUT THE WRITTEN APPROVAL OF BEL FUSE INC.

SUGGESTED PANEL OPENING



NOTES:

THE DISTANCE OF PANEL INSIDE SURFACE RELATIVE TO FRONT SURFACE OF PART IS ONLY A SUGGESTION. IN CASE THIS DISTANCE IS DIFFERENT, THE REQUIRED PANEL OPENING DIMENSIONS CHANGE ACCORDINGLY.

PACKING INFORMATION

PACKING TRAY : 0200-0148-55 OR 0200-9999-B4 (TOP)  
0200-0148-56 OR 0200-9999-B5 (BOTTOM)

PACKING QUANTITY : 24 PCS FINISHED GOOD PER TRAY  
10 TRAYS (240 PCS FINISHED GOOD) PER CARTON BOX

NOTE : CARDBOARDS ARE PLACED BETWEEN LAYERS OF PACKING TRAY INSIDE CARTON BOX  
(INCLUDE THE UPPERMOST AND LOWERMOST TRAY)

ORIGINATED BY ZX HUANG	DATE 08-13-08	TITLE 1X4 gigabit MagJack® (8 cores, Tab Up)	PART NO. / DRAWING NO. 0826-1X4T-43	STANDARD DIM. TOL. IN INCH	[ ] METRIC DIM. AS REFERENCE	bel COMPONENTS FOR A CONNECTED PLANET
DRAWN BY BL CHEN	DATE 08-13-08		FILE NAME 0826-1X4T-43_B.DWG	.X .XX .XXX	UNIT : INCH [mm] SCALE : N/A ±0.005	