

< Power GaAs FET >

MGF1954A

Leadless ceramic package

DESCRIPTION

The MGF1954A power MES FET is designed for use in S to Ku band power amplifiers.

The lead-less ceramic package assures minimum parasitic losses.

FEATURES

High gain and High P1dB

Glp=5.0dB , P1dB=23dBm (Typ.) @ f=12GHz

APPLICATION

S to Ku band low noise amplifiers

QUALITY GRADE

GG

RECOMMENDED BIAS CONDITIONS

VDS=6V , ID=100mA

ORDERING INFORMATION

Tape & reel 3,000pcs/reel

RoHS COMPLIANT

MGF1954A is a RoHS compliant product. RoHS compliance is indicated by the letter "G" after the Lot Marking.

ABSOLUTE MAXIMUM RATINGS (Ta=25°C)

Symbol	Parameter	Ratings	Unit
VGDO	Gate to drain voltage	-8	V
VGSO	Gate to source voltage	-8	V
ID	Drain current	400	mA
PT	Total power dissipation	1	W
Tch	Channel temperature	125	°C
Tstg	Storage temperature	-65 to +125	°C

ELECTRICAL CHARACTERISTICS (Ta=25°C)

Symbol	Parameter	Test conditions	Limits			Unit
			MIN.	TYP.	MAX	
V(BR)GDO	Gate to drain breakdown voltage	IG=-100μA	-8	-15	--	V
IDSS	Saturated drain current	VGS=0V, VDS=3V	105	200	400	mA
VGS(off)	Gate to source cut-off voltage	VDS=3V, ID=1mA	-0.3	-1.4	-3.5	V
P1dB	Output power at 1dB gain compression	VDS=6V, ID=100mA, f=12GHz	21	23	--	dBm
Glp	Linear power gain	VDS=4V, ID=100mA, f=12GHz, Pin=-5dBm	3	5	--	dB

Note: P1B and Glp are tested with sampling inspection.

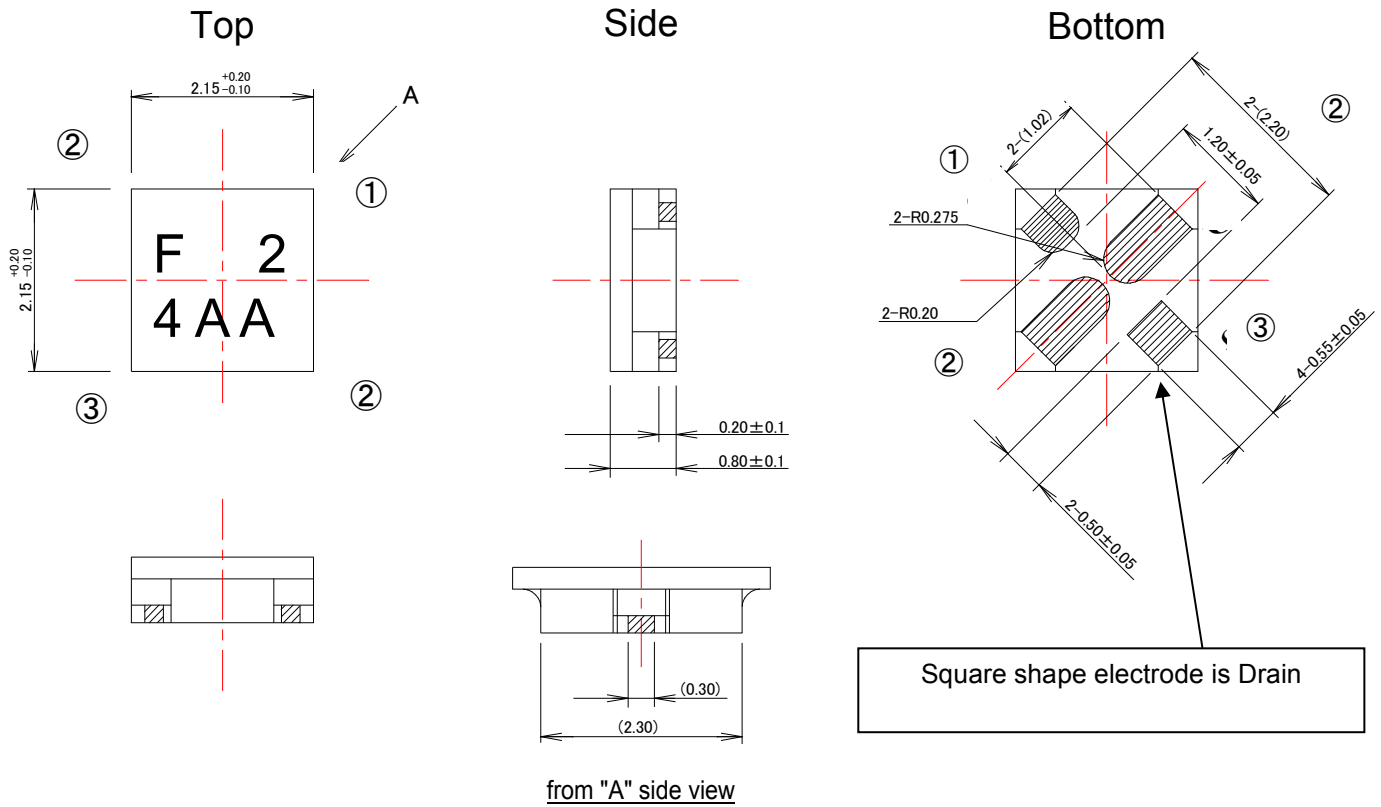
Outline Drawing

Fig.1

MITSUBISHI Proprietary

Not to be reproduced or disclosed without permission by Mitsubishi Electric

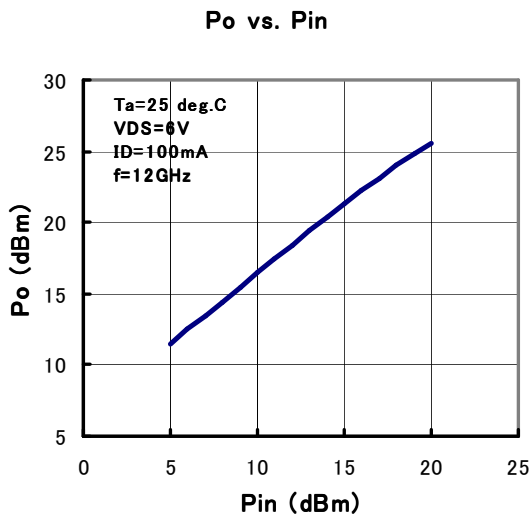
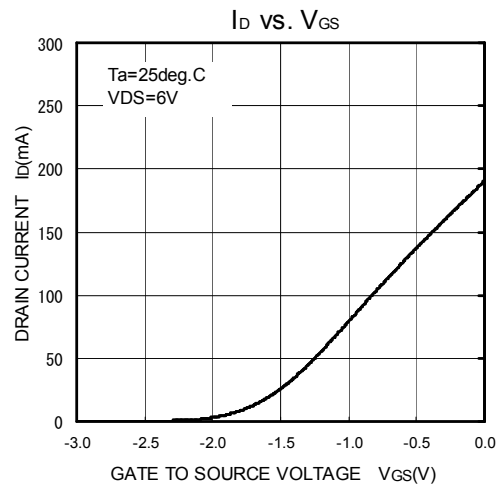
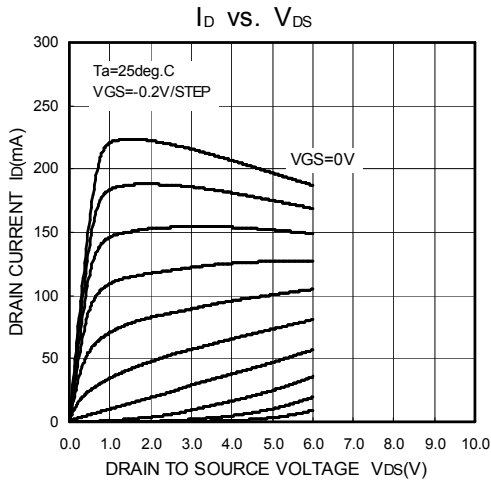
Fig.1



Unit: mm

- ① Gate
- ② Source
- ③ Drain

TYPICAL CHARACTERISTICS (Ta=25°C)

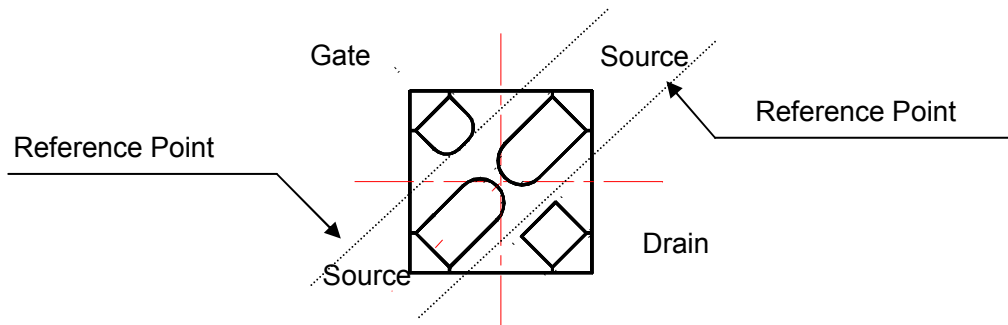


< Power GaAs FET >
MGF1954A
 Leadless ceramic package

S PARAMETERS

(Conditions : VDS=6V, ID=100mA, Ta=25deg.C)

f (GHz)	S11		S21		S12		S22		K	MAG/MSG (dB)
	Mag.	Angle	Mag.	Angle	Mag.	Angle	Mag.	Angle		
1	0.903	-52.0	8.141	142.0	0.027	61.9	0.216	-45.4	0.41	24.8
2	0.771	-96.4	6.285	111.6	0.042	40.2	0.197	-82.6	0.74	21.8
3	0.697	-122.5	4.948	94.1	0.050	31.9	0.194	-99.7	1.00	20.0
4	0.672	-145.4	4.003	78.6	0.054	26.1	0.197	-116.0	1.19	16.0
5	0.659	-162.1	3.393	65.4	0.058	21.5	0.204	-123.3	1.34	14.2
6	0.652	-176.3	2.977	53.0	0.062	19.0	0.207	-125.7	1.46	12.8
7	0.649	169.9	2.685	40.2	0.067	15.7	0.209	-127.1	1.50	11.9
8	0.645	156.5	2.499	26.8	0.073	12.7	0.205	-128.9	1.49	11.2
9	0.640	142.2	2.322	13.9	0.080	7.5	0.190	-132.9	1.50	10.4
10	0.636	126.0	2.174	0.5	0.091	1.1	0.165	-139.4	1.47	9.8
11	0.620	107.6	2.005	-14.3	0.096	-8.8	0.124	-153.6	1.60	8.7
12	0.617	88.8	1.845	-29.4	0.101	-17.7	0.082	172.2	1.72	7.7
13	0.634	70.5	1.654	-44.6	0.104	-26.8	0.085	109.8	1.83	6.8
14	0.664	53.6	1.467	-59.3	0.105	-37.6	0.151	70.8	1.93	5.9
15	0.711	38.5	1.291	-73.1	0.102	-46.5	0.235	52.1	1.98	5.3
16	0.767	26.2	1.123	-86.4	0.101	-56.1	0.322	39.7	1.90	5.0
17	0.821	14.6	0.965	-99.2	0.097	-65.4	0.408	30.2	1.79	4.8
18	0.863	5.3	0.813	-112.1	0.094	-74.2	0.474	20.6	1.68	4.6



Note:

We are ready to provide nonlinear model for ADS and MWO users. If you are interested, please contact our sales offices.

Keep safety first in your circuit designs!

- Mitsubishi Electric Corporation puts the maximum effort into making semiconductor products better and more reliable, but there is always the possibility that trouble may occur with them. Trouble with semiconductors may lead to personal injury, fire or property damage. Remember to give due consideration to safety when making your circuit designs, with appropriate measures such as (i) placement of substitutive, auxiliary circuits, (ii) use of non-flammable material or (iii) prevention against any malfunction or mishap.

Notes regarding these materials

- These materials are intended as a reference to assist our customers in the selection of the Mitsubishi semiconductor product best suited to the customer's application; they do not convey any license under any intellectual property rights, or any other rights, belonging to Mitsubishi Electric Corporation or a third party.
- Mitsubishi Electric Corporation assumes no responsibility for any damage, or infringement of any third-party's rights, originating in the use of any product data, diagrams, charts, programs, algorithms, or circuit application examples contained in these materials.
- All information contained in these materials, including product data, diagrams, charts, programs and algorithms represents information on products at the time of publication of these materials, and are subject to change by Mitsubishi Electric Corporation without notice due to product improvements or other reasons. It is therefore recommended that customers contact Mitsubishi Electric Corporation or an authorized Mitsubishi Semiconductor product distributor for the latest product information before purchasing a product listed herein.
The information described here may contain technical inaccuracies or typographical errors.
Mitsubishi Electric Corporation assumes no responsibility for any damage, liability, or other loss rising from these inaccuracies or errors.
Please also pay attention to information published by Mitsubishi Electric Corporation by various means, including the Mitsubishi Semiconductor home page (<http://www.mitsubishielectric.com/>).
- When using any or all of the information contained in these materials, including product data, diagrams, charts, programs, and algorithms, please be sure to evaluate all information as a total system before making a final decision on the applicability of the information and products. Mitsubishi Electric Corporation assumes no responsibility for any damage, liability or other loss resulting from the information contained herein.
- Mitsubishi Electric Corporation semiconductors are not designed or manufactured for use in a device or system that is used under circumstances in which human life is potentially at stake. Please contact Mitsubishi Electric Corporation or an authorized Mitsubishi Semiconductor product distributor when considering the use of a product contained herein for any specific purposes, such as apparatus or systems for transportation, vehicular, medical, aerospace, nuclear, or undersea repeater use.
- The prior written approval of Mitsubishi Electric Corporation is necessary to reprint or reproduce in whole or in part these materials.
- If these products or technologies are subject to the Japanese export control restrictions, they must be exported under a license from the Japanese government and cannot be imported into a country other than the approved destination.
Any diversion or re-export contrary to the export control laws and regulations of Japan and/or the country of destination is prohibited.
- Please contact Mitsubishi Electric Corporation or an authorized Mitsubishi Semiconductor product distributor for further details on these materials or the products contained therein.