

THE INFORMATION CONTAINED HEREIN IS CONSIDERED 'PROPRIETARY' TO BEL FUSE INC. AND SHALL NOT BE COPIED, REPRODUCED OR DISCLOSED WITHOUT THE WRITTEN APPROVAL OF BEL FUSE INC.

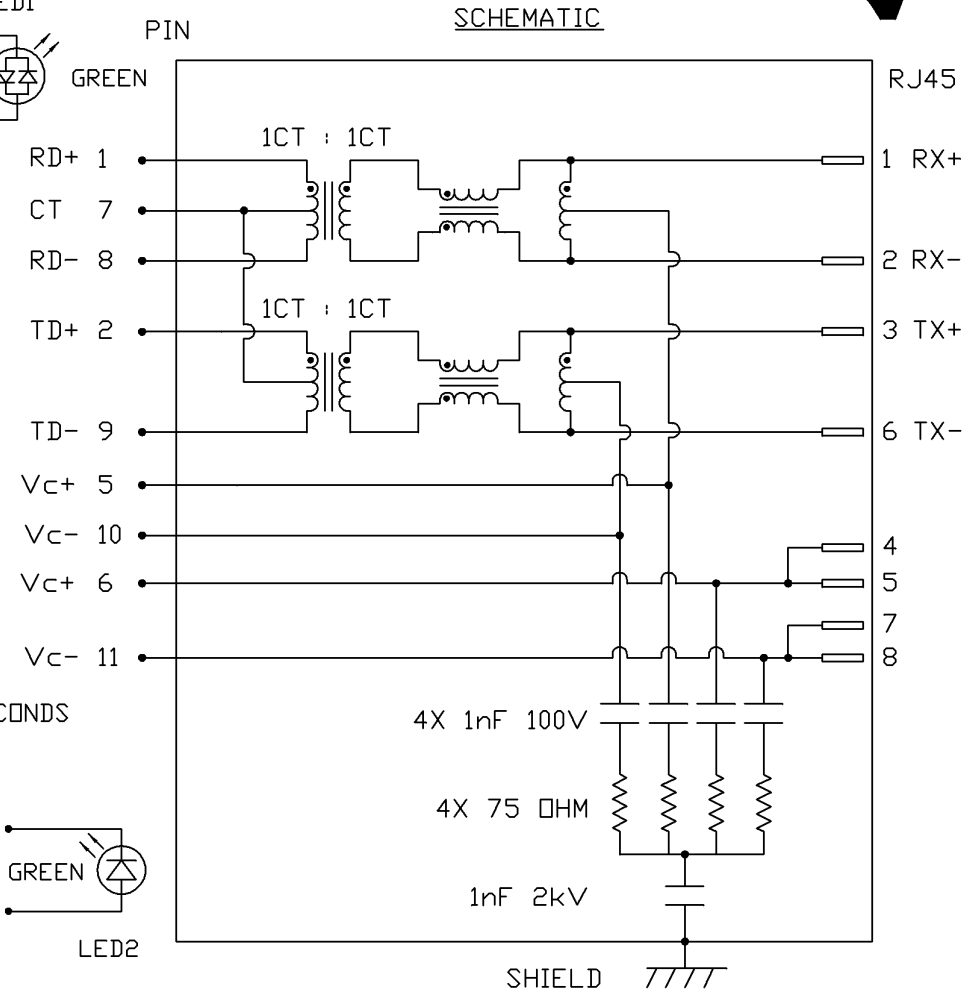
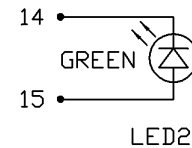
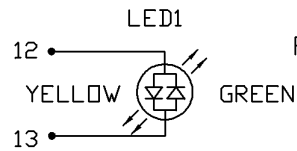
RoHS  
2002/95/EC



| LED1 POLARITY |        |        | LED2 POLARITY |        |       |
|---------------|--------|--------|---------------|--------|-------|
| PIN 12        | PIN 13 | COLOR  | PIN 14        | PIN 15 | COLOR |
| -             | +      | GREEN  | -             | +      | GREEN |
| +             | -      | YELLOW |               |        |       |

**ELECTRICAL CHARACTERISTICS @ 25°C**

|   |   |
|---|---|
| URNS RATIO  | 1CT : 1CT ±2%                           |
| QCL @ 100kHz/100mVRMS<br>8mA DC BIAS  | 350µH MIN.                              |
| INSERTION LOSS<br>100kHz TO 100MHz  | -1.5 dB MAX.                            |
| RETURN LOSS (MIN.)<br>2MHz-30MHz  | -16 dB MIN.                             |
| 60MHz-80MHz   | -10 dB MIN.                             |
| LEAKAGE INDUCTANCE<br>PRIMARY W/ SECONDARY SHORTED                            | 0.25µH MAX. @ 1MHz                      |
| D.C. RESISTANCE<br>(8-1)=(9-2)  | 1.0 OHM MAX.                            |
| (RJ1-RJ2)=(RJ3-RJ6)   | 1.40 OHM MAX.                           |
| INTERWINDING CAPACITANCE<br>PER CHANNEL (PRI. to SEC.)                        | 40 pF MAX.                              |
| CROSS TALK<br>100kHz - 100MHz   | -30 dB MIN.                             |
| BALANCED DC LINE CURRENT  | 350mA MAX. @ 57 VDC CONTINUOUS          |
|   | 500mA MAX. @ 57 VDC FOR 200 MILLSECONDS |
| HIPOT (ISOLATION VOLTAGE)   | 2250 VDC                                |
| 100% OF PRODUCTION TESTED TO COMPLY<br>WITH IEEE 802.3 ISOLATION REQUIREMENTS |   |
| LED 1   |   |
| VF (FORWARD VOLTAGE)  | IF=20mA GREEN 2.2V TYP.                 |
|   | IF=20mA YELLOW 2.1V TYP.                |
| λD (DOMINANT WAVELENGTH)  | IF=20mA GREEN 565nm TYP.                |
|   | IF=20mA YELLOW 590nm TYP.               |
| LED 2   |   |
| VF (FORWARD VOLTAGE)  | IF=20mA GREEN 2.2V TYP.                 |
| λD (DOMINANT WAVELENGTH)  | IF=20mA GREEN 565nm TYP.                |



|                |          |
|----------------|----------|
| ORIGINATED BY  | DATE     |
| CHOW WANGCHUNG | 11-28-08 |
| DRAWN BY       | DATE     |
| LEE WEIDE      | 11-28-08 |

|           |                        |
|-----------|------------------------|
| TITLE     | 10/100 MagJack®<br>PoE |
| FILE NAME | 0826-1L1T-57-F         |

|                        |              |
|------------------------|--------------|
| PART NO. / DRAWING NO. | 08261L1T57-F |
| STANDARD DIM.          | TOL. IN INCH |
| .X                     |              |
| .XX                    |              |
| .XXX                   |              |

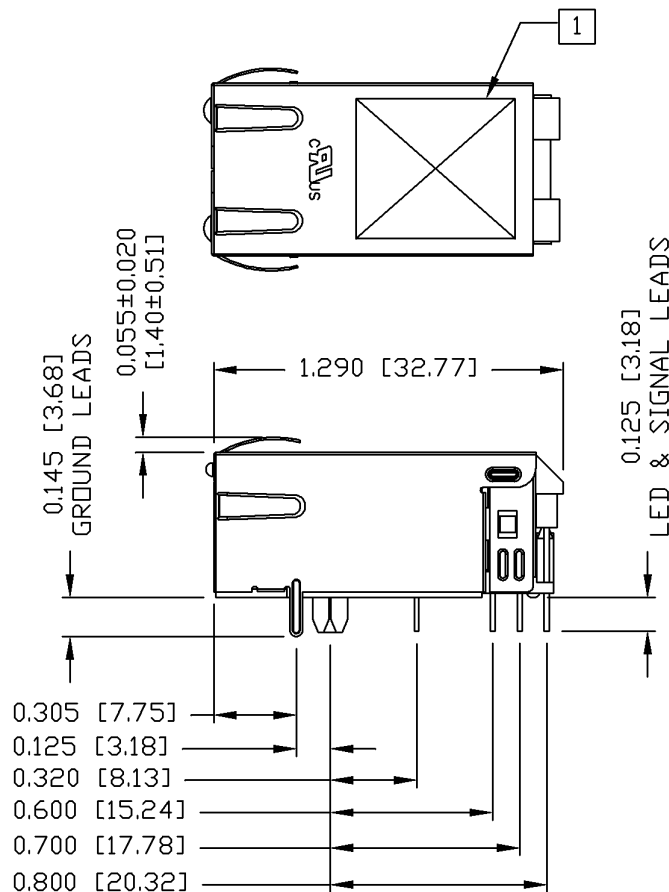
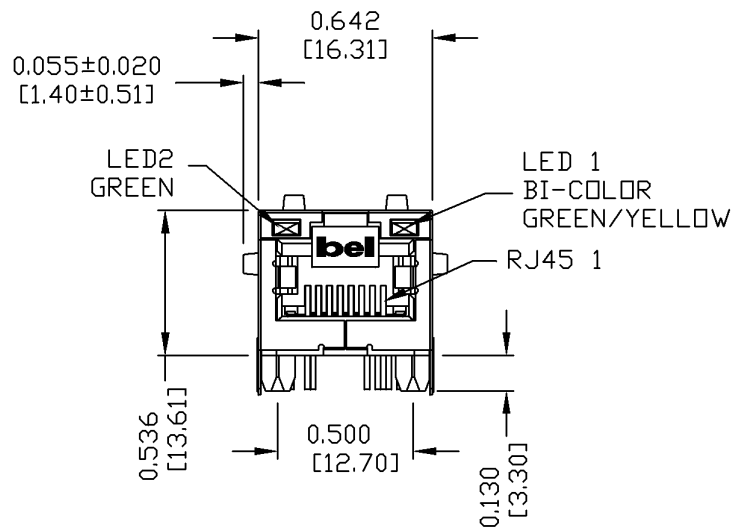
|                              |                  |          |
|------------------------------|------------------|----------|
| [ ] METRIC DIM. AS REFERENCE | UNIT : INCH [mm] | REV. : C |
| SCALE : N/A                  | SIZE : A4        | PAGE : 2 |



THE INFORMATION CONTAINED HEREIN IS CONSIDERED "PROPRIETARY" TO BEL FUSE INC. AND SHALL NOT BE COPIED, REPRODUCED OR DISCLOSED WITHOUT THE WRITTEN APPROVAL OF BEL FUSE INC.

MECHANICAL SPECIFICATION

RoHS  
2002/95/EC



NOTES:

- PLASTIC HOUSING: THERMOPLASTIC PA
- FLAMMABILITY RATING UL 94V-0
- CONTACTS: 50 MICRO-INCH HARD GOLD PLATING
- OUTPUT PINS: TIN-COATED COPPER WIRE, DIA 0.018 INCH.
- METAL SHIELD: NICKEL PLATED ON COPPER ALLOY.
- (ALL GROUND LEADS ARE SOLER DIPPED)

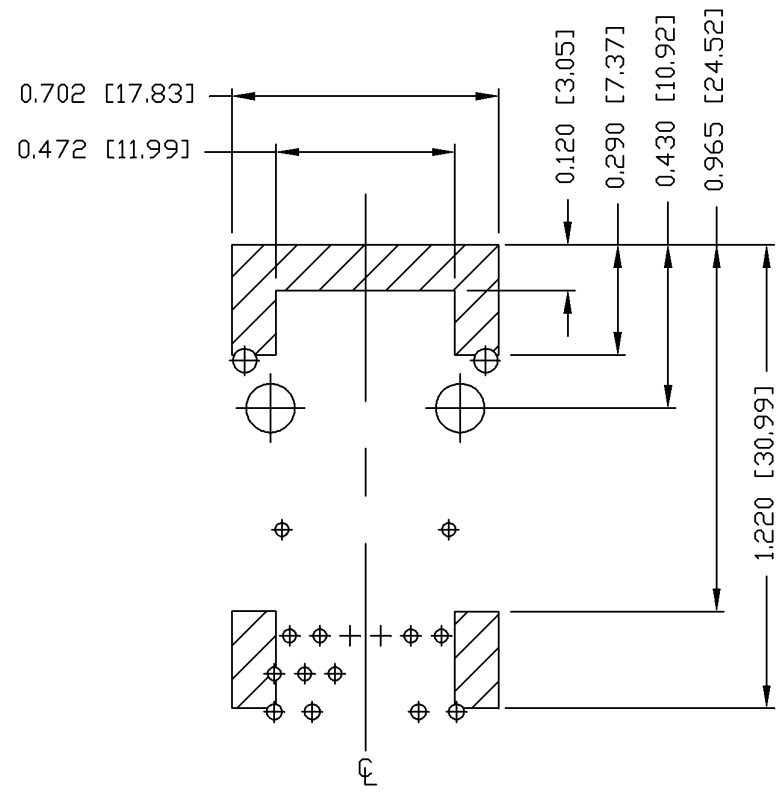
1. MARK PART WITH MFG LOGO, MFG NAME, PART NUMBER, AND DATE CODE.

RoHS COMPLIANCE, PER EU DIRECTIVE 2002/95/EC.  
JACK CAVITY CONFORMS TO FCC RULES AND REGULATIONS.

| ORIGINATED BY | DATE     | TITLE               | PART NO. / DRAWING NO. | STANDARD DIM. TOL. IN INCH | [ ] METRIC DIM. AS REFERENCE |
|---------------|----------|---------------------|------------------------|----------------------------|------------------------------|
| LIU QIN       | 11-28-08 | 10/100 MagJack® PoE | 08261L1T57-F           | .X                         | UNIT : INCH [mm] REV. : C    |
| DRAWN BY      | DATE     | 0826-1L1T-57-F      | FILE NAME              | .XX                        | SCALE : N/A SIZE : A4        |
| XIAN JIAXIN   | 11-28-08 |                     | 08261L1T57-F_C.DWG     | .XXX ±0.010                | PAGE : 3                     |



THE INFORMATION CONTAINED HEREIN IS CONSIDERED "PROPRIETARY" TO BEL FUSE INC. AND SHALL NOT BE COPIED, REPRODUCED OR DISCLOSED WITHOUT THE WRITTEN APPROVAL OF BEL FUSE INC.



NOTES

THE SHADED AREA ON THE CUSTOMER BOARD ARE RECOMMENDED TO BE CLEAR OFF ANY VIA HOLE OR COMPONENT PAD.

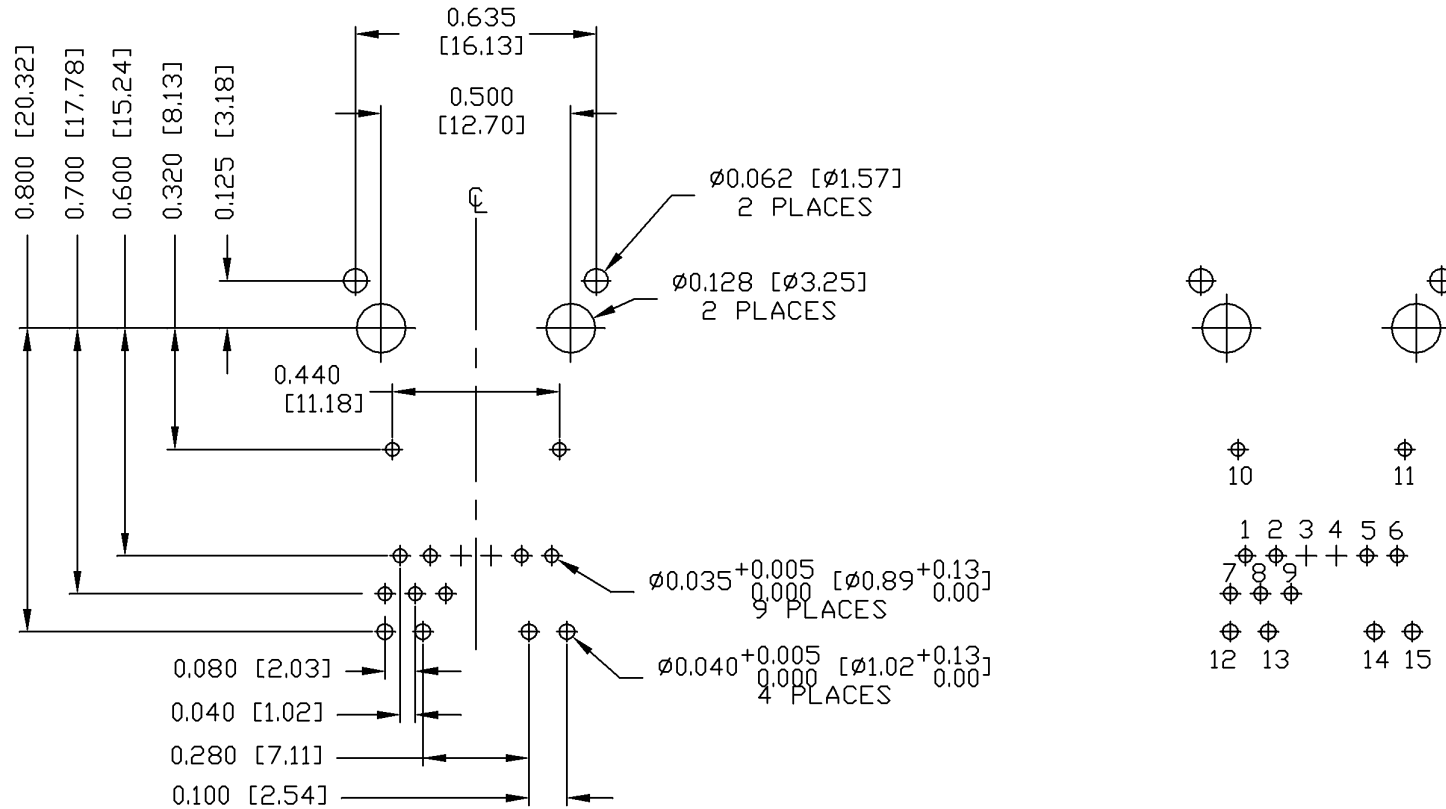
|                          |                  |   |  |                               |   |  |
|--------------------------|------------------|---|--|-------------------------------|---|--|
| ORIGINATED BY<br>LIU QIN | DATE<br>11-28-08 | TITLE<br>10/100 MagJack®<br>PoE<br>0826-1L1T-57-F | PART NO. / DRAWING NO.<br>08261L1T57-F | STANDARD DIM.<br>TOL. IN INCH | [ ] METRIC DIM. AS REFERENCE              | bel<br>COMPONENTS<br>CONNECTED<br>PLANET |
| DRAWN BY<br>XIAN JIAXIN  | DATE<br>11-28-08 |   | FILE NAME<br>08261L1T57-F_C.DWG        | .X<br>.XX<br>.XXX             | UNIT : INCH [mm]<br>SCALE : N/A<br>±0.004 |  |

THE INFORMATION CONTAINED HEREIN IS CONSIDERED "PROPRIETARY" TO BEL FUSE INC. AND SHALL NOT BE COPIED, REPRODUCED OR DISCLOSED WITHOUT THE WRITTEN APPROVAL OF BEL FUSE INC.

RoHS  
2002/95/EC



RECOMMENDED PCB FOOTPRINT  
COMPONENT SIDE VIEW

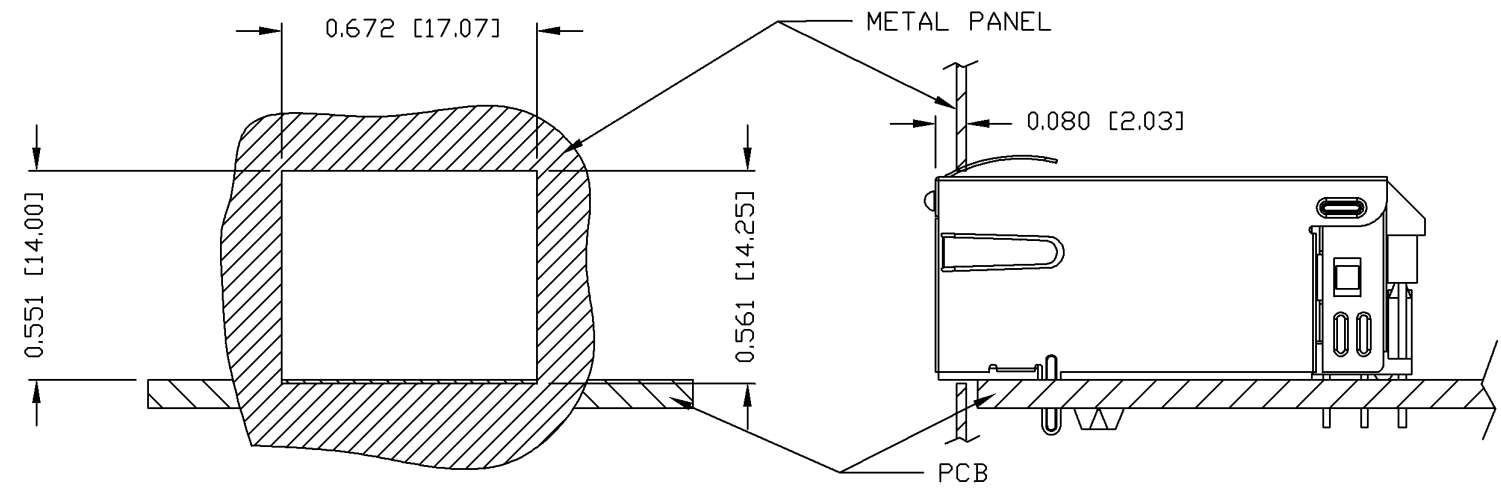


|                          |                  |   |  |                               |   |  |
|--------------------------|------------------|---|--|-------------------------------|---|--|
| ORIGINATED BY<br>LIU QIN | DATE<br>11-28-08 | TITLE<br>10/100 MagJack®<br>PoE<br>0826-1L1T-57-F | PART NO. / DRAWING NO.<br>08261L1T57-F | STANDARD DIM.<br>TOL. IN INCH | [ ] METRIC DIM. AS REFERENCE              | bel<br>COMPONENTS FOR A<br>CONNECTED<br>PLANET |
| DRAWN BY<br>XIAN JIAXIN  | DATE<br>11-28-08 |   | FILE NAME<br>08261L1T57-F_C.DWG        | .X<br>.XX<br>.XXX             | UNIT : INCH [mm]<br>SCALE : N/A<br>±0.004 |  |

THE INFORMATION CONTAINED HEREIN IS CONSIDERED "PROPRIETARY" TO BEL FUSE INC. AND SHALL NOT BE COPIED, REPRODUCED OR DISCLOSED WITHOUT THE WRITTEN APPROVAL OF BEL FUSE INC.



SUGGESTED PANEL OPENING



NOTE:

THE DISTANCE OF PANEL INSIDE SURFACE RELATIVE TO FRONT SURFACE OF PART IS ONLY A SUGGESTION. IN CASE THIS DISTANCE IS DIFFERENT, THE REQUIRED PANEL OPENING DIMENSIONS CHANGE ACCORDINGLY.

PACKING INFORMATION

PACKING TRAY : 0200-9999-F6 (TOP)

0200-9999-F7 (BOTTOM)

PACKING QUANTITY : 40 PCS FINISHED GOODS PER TRAY

10 TRAYS (400 PCS FINISHED GOODS) PER CARTON BOX

NOTE : CARDBOARDS ARE PLACED BETWEEN LAYERS OF PACKING TRAY INSIDE CARTON BOX (INCLUDE THE UPPERMOST AND LOWERMOST TRAY)

|                          |                  |   |  |                               |  |  |
|--------------------------|------------------|---|--|-------------------------------|--|--|
| ORIGINATED BY<br>LIU QIN | DATE<br>11-28-08 | TITLE<br>10/100 MagJack®<br>PoE<br>0826-1L1T-57-F | PART NO. / DRAWING NO.<br>08261L1T57-F | STANDARD DIM.<br>TOL. IN INCH | [ ] METRIC DIM. AS REFERENCE   | bel<br>COMPONENTS FOR A<br>CONNECTED<br>PLANET |
| DRAWN BY<br>XIAN JIAXIN  | DATE<br>11-28-08 |   | FILE NAME<br>08261L1T57-F_C.DWG        | .X<br>.XX<br>.XXX ±0.004      | UNIT : INCH [mm]<br>SCALE : N/A<br>REV. : C<br>SIZE : A4<br>PAGE : 6 |  |