

THE INFORMATION CONTAINED HEREIN IS CONSIDERED "PROPRIETARY" TO BEL FUSE INC. AND SHALL NOT BE COPIED, REPRODUCED OR DISCLOSED WITHOUT THE WRITTEN APPROVAL OF BEL FUSE INC.

LED1 POLARITY			LED2 POLARITY		
PIN 13	PIN 14	COLOR	PIN 15	PIN 16	COLOR
-	+	GREEN	-	+	GREEN

**ELECTRICAL CHARACTERISTICS @ 25°C**

**URNS RATIO**

TP1	1CT : 1CT ±2%
TP2	1CT : 1CT ±2%
TP3	1CT : 1CT ±2%
TP4	1CT : 1CT ±2%

**QCL @ 100kHz/100mVRMS**

8mA DC BIAS      350mH MIN.

**INS. LOSS**

0.1MHz TO 1MHz	-1.1 dB MAX
1MHz TO 65MHz	-0.5 dB MAX
65MHz TO 100MHz	-0.8 dB MAX
100MHz TO 125MHz	-1.2 dB MAX

**RET. LOSS (MIN)**

0.5MHz-40MHz	-18 dB
40MHz-100MHz	-12+20LOG(f/80MHz) dB

**CM TO CM REJ**

100kHz - 100MHz      -30 dB MIN

**CM TO DM REJ**

100kHz - 100MHz      -35 dB MIN

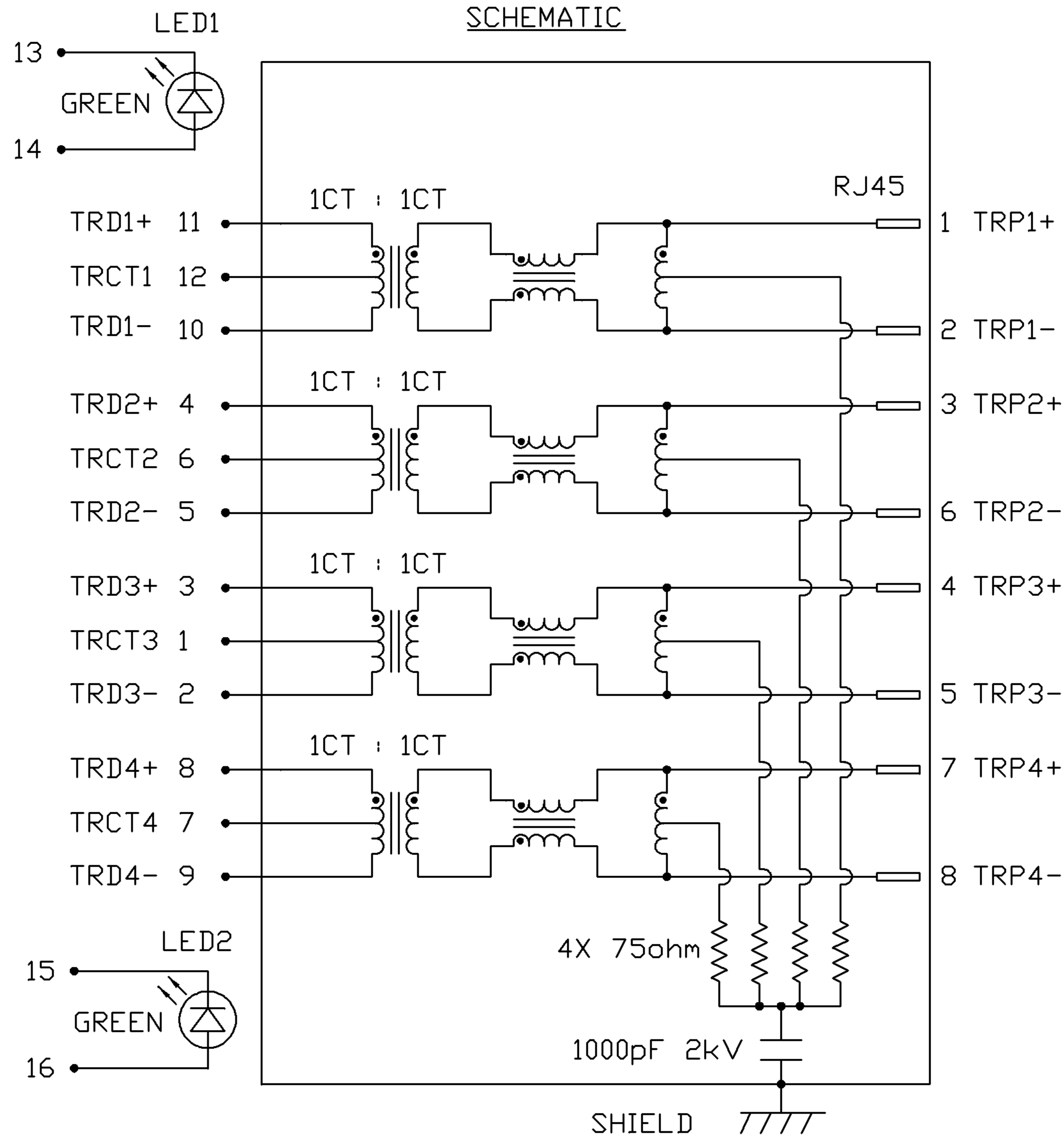
**HIPOT (Isolation Voltage):**

1500 Vrms or 2250VDC

**LED 1 & 2**

VF (FORWARD VOLTAGE)      IF=20mA GREEN 2.2V TYP.

LD (DOMINANT WAVELENGTH) IF=20mA GREEN 565nm TYP.



ORIGINATED BY      DATE  
CHOW WANCHUNG      07-31-08

DRAWN BY      DATE  
LEE WEIDE      07-31-08

TITLE  
gigabit MagJack®  
(12 cores, Tab Up)

PART NO. / DRAWING NO.  
0826-1G1T-23

FILE NAME  
0826-1G1T-23\_G.DWG

STANDARD DIM.  
TOL. IN INCH

.X  
.XX  
.XXX

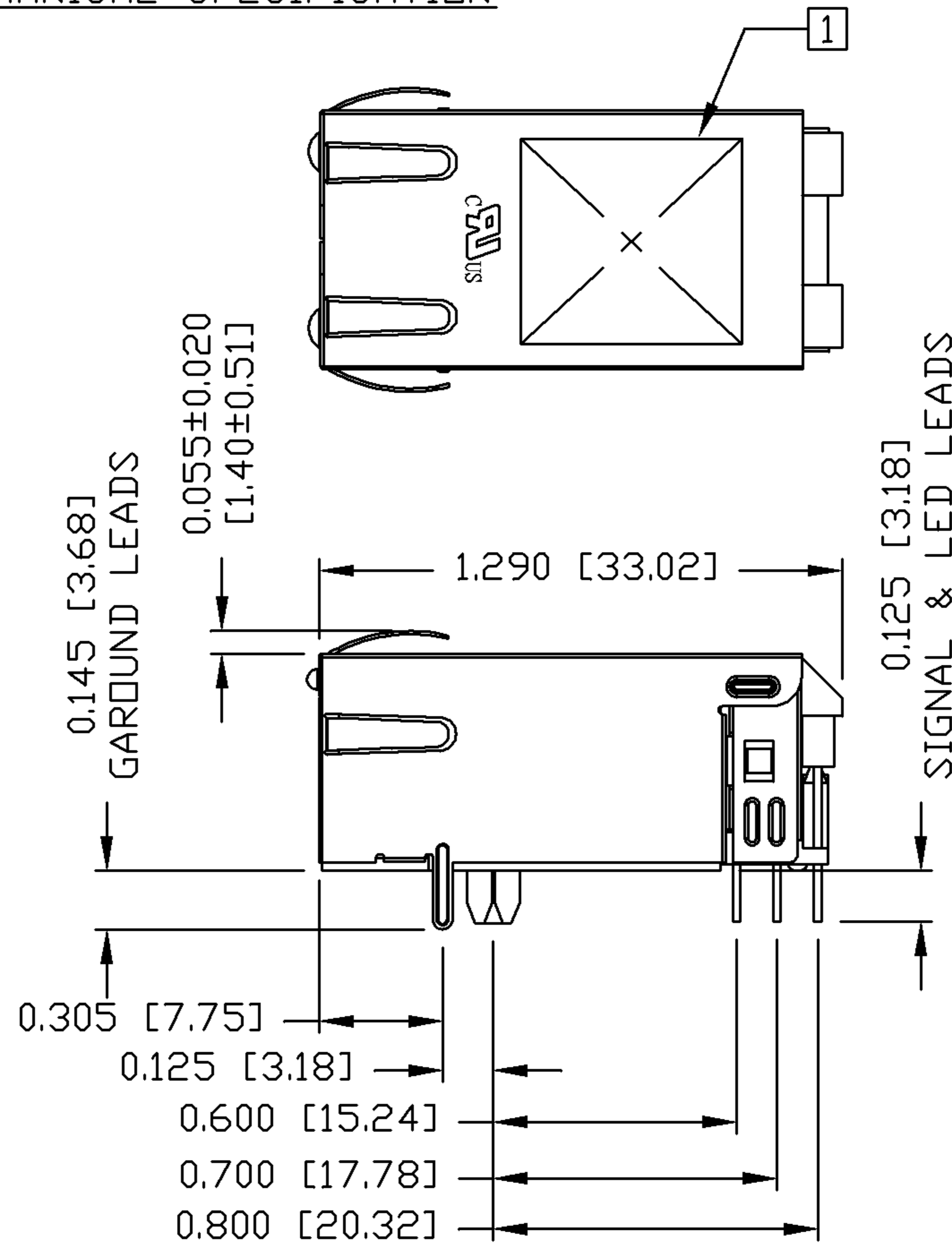
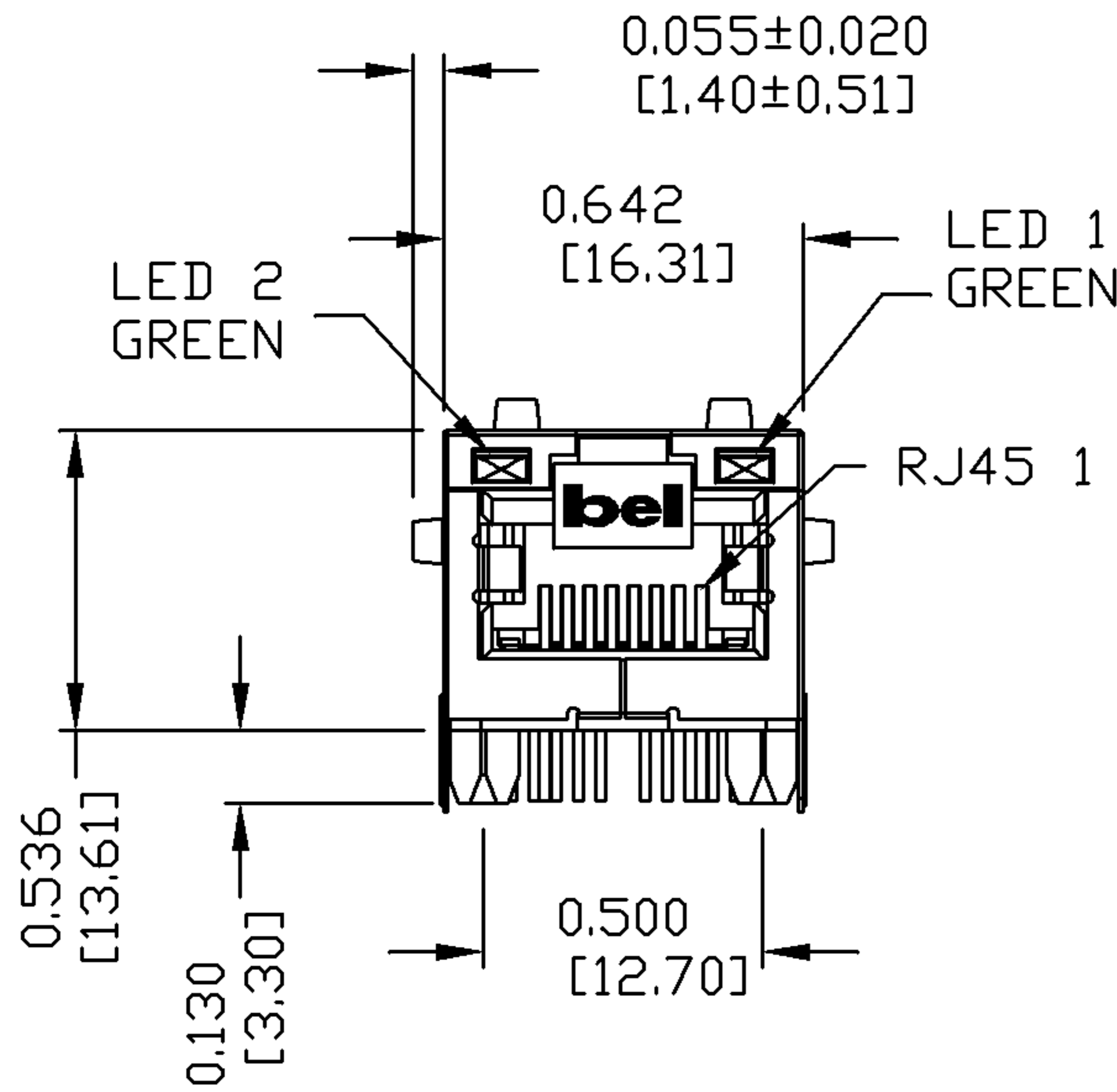
[ ] METRIC DIM. AS REFERENCE  
UNIT : INCH [mm]      REV. : G

SCALE : N/A      SIZE : A4  
PAGE : 2

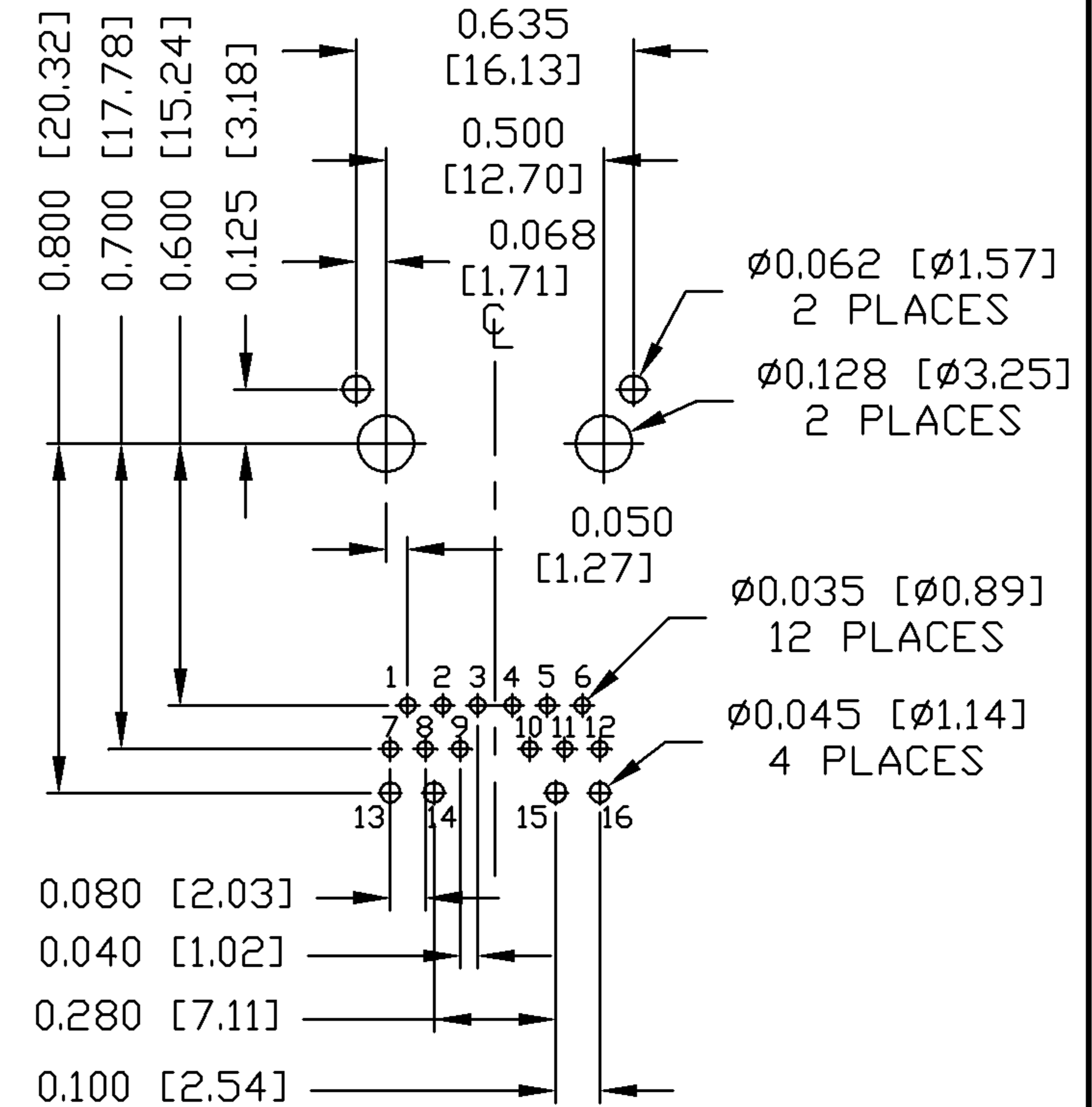


THE INFORMATION CONTAINED HEREIN IS CONSIDERED "PROPRIETARY" TO BEL FUSE INC. AND SHALL NOT BE COPIED, REPRODUCED OR DISCLOSED WITHOUT THE WRITTEN APPROVAL OF BEL FUSE INC.

MECHANICAL SPECIFICATION



RECOMMENDED PCB FOOTPRINT  
COMPONENT SIDE VIEW



NOTES:

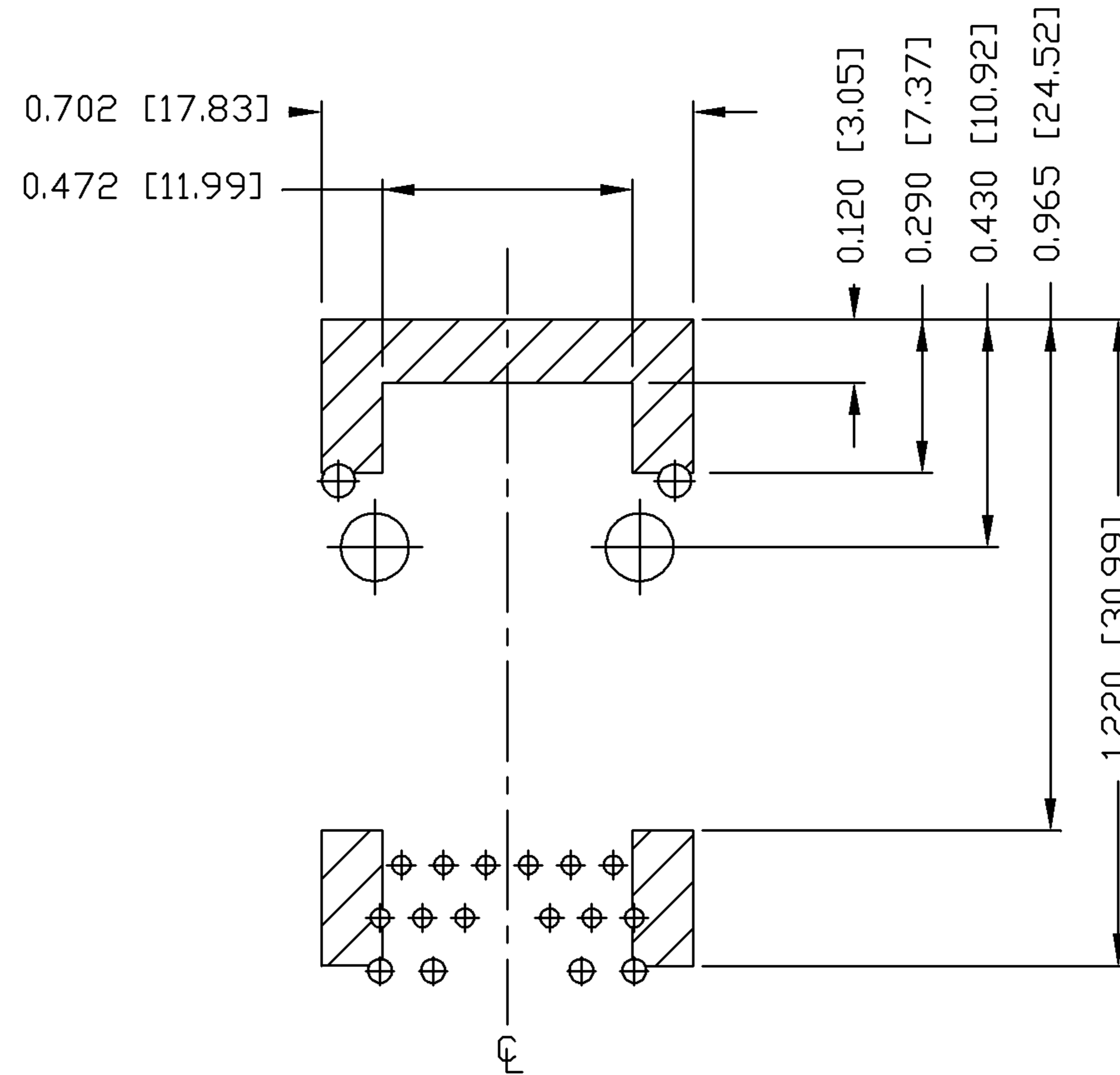
PLASTIC HOUSING: THERMOPLASTIC PA  
 FLAMMABILITY RATING UL 94V-0  
 CONTACTS: 50 MICRO-INCH HARD GOLD PLATING  
 OUTPUT PINS: TIN-COATED COPPER WIRE, DIA 0.018 INCH.  
 METAL SHIELD: NICKEL PLATED ON COPPER ALLOY.  
 (ALL GROUND LEADS ARE SOLDER DIPPED)

1. MARK PART WITH MFG LOGO, MFG NAME, PART NUMBER, AND DATE CODE.

**UL** US UL RECOGNIZED - FILE #E196366 AND E169987.  
 JACK CAVITY CONFORMS TO FCC RULES AND REGULATIONS.

ORIGINATED BY ZX HUANG	DATE 07-31-08	TITLE gigabit MagJack® (12 cores, Tab Up)	PART NO. / DRAWING NO. 0826-1G1T-23	STANDARD DIM. TOL. IN INCH	[ ] METRIC DIM. AS REFERENCE	 COMPONENTS FOR A CONNECTED PLANET
DRAWN BY BL CHEN	DATE 07-31-08		FILE NAME 0826-1G1T-23_G.DWG	.X .XX .XXX	UNIT : INCH [mm] SCALE : N/A	
				±0.010		

THE INFORMATION CONTAINED HEREIN IS CONSIDERED "PROPRIETARY" TO BEL FUSE INC. AND SHALL NOT BE COPIED, REPRODUCED OR DISCLOSED WITHOUT THE WRITTEN APPROVAL OF BEL FUSE INC.



NOTES

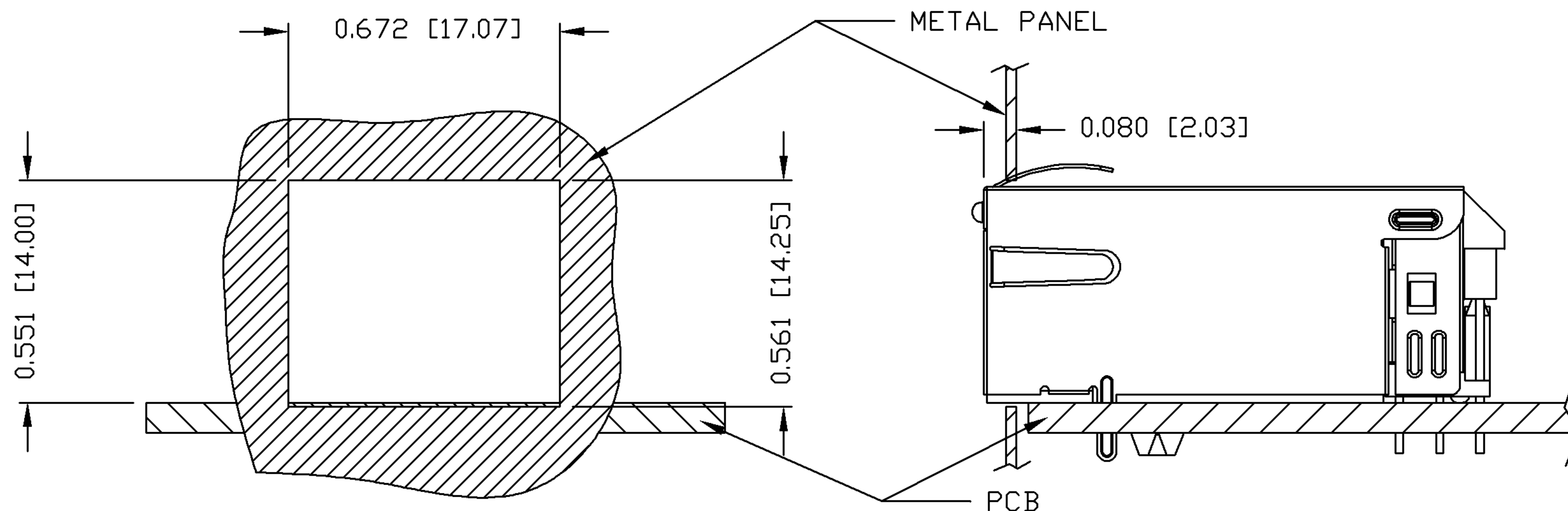
THE SHADED AREA ON THE CUSTOMER BOARD ARE RECOMMENDED TO BE CLEAR OFF ANY VIA HOLE OR COMPONENT PAD.

<b>ORIGINATED BY</b> ZX HUANG	<b>DATE</b> 07-31-08	<b>TITLE</b> gigabit MagJack® (12 cores, Tab Up)	<b>PART NO. / DRAWING NO.</b> 0826-1G1T-23	<b>STANDARD DIM. TOL. IN INCH</b>	<b>[ ] METRIC DIM. AS REFERENCE</b>	
<b>DRAWN BY</b> BL CHEN	<b>DATE</b> 07-31-08		<b>FILE NAME</b> 0826-1G1T-23_G.DWG	.X .XX .XXX	UNIT : INCH [mm] SCALE : N/A	REV. : G SIZE : A4 PAGE : 4



THE INFORMATION CONTAINED HEREIN IS CONSIDERED "PROPRIETARY" TO BEL FUSE INC. AND SHALL NOT BE COPIED, REPRODUCED OR DISCLOSED WITHOUT THE WRITTEN APPROVAL OF BEL FUSE INC.

SUGGESTED PANEL OPENING



NOTE:

THE DISTANCE OF PANEL INSIDE SURFACE RELATIVE TO FRONT SURFACE OF PART IS ONLY A SUGGESTION. IN CASE THIS DISTANCE IS DIFFERENT, THE REQUIRED PANEL OPENING DIMENSIONS CHANGE ACCORDINGLY.

PACKING INFORMATION

PACKING TRAY : 0200-9999-F6 (TOP)

0200-9999-F7 (BOTTOM)

PACKING QUANTITY : 40 PCS FINISHED GOODS PER TRAY

10 TRAYS (400 PCS FINISHED GOODS) PER CARTON BOX

NOTE : CARDBOARDS ARE PLACED BETWEEN LAYERS OF PACKING TRAY INSIDE CARTON BOX (INCLUDE THE UPPERMOST AND LOWERMOST TRAY)

ORIGINATED BY ZX HUANG	DATE 07-31-08	TITLE gigabit MagJack® (12 cores, Tab Up)	PART NO. / DRAWING NO. 0826-1G1T-23		STANDARD DIM. TOL. IN INCH		[ ] METRIC DIM. AS REFERENCE		 COMPONENTS FOR A CONNECTED PLANET
	DRAWN BY BL CHEN		DATE 07-31-08	FILE NAME 0826-1G1T-23_G.DWG	.X		UNIT : INCH [mm]	REV. : G	
				.XX		SCALE : N/A	SIZE : A4		
				.XXX	±0.004		PAGE : 5		