

THE INFORMATION CONTAINED HEREIN IS CONSIDERED "PROPRIETARY" TO BEL FUSE INC. AND SHALL NOT BE COPIED, REPRODUCED OR DISCLOSED WITHOUT THE WRITTEN APPROVAL OF BEL FUSE INC.

LED1 POLARITY			LED2 POLARITY		
PIN 13	PIN 14	COLOR	PIN 15	PIN 16	COLOR
+	-	ORANGE	+	-	ORANGE
-	+	GREEN	-	+	GREEN

**ELECTRICAL CHARACTERISTICS @ 25°C**

**URNS RATIO**

TP1	1CT : 1CT ±2%
TP2	1CT : 1CT ±2%
TP3	1CT : 1CT ±2%
TP4	1CT : 1CT ±2%

**OCL @ 100kHz/100mVRMS**

8mA DC BIAS	350µH MIN.
-------------	------------

**INS. LOSS**

0.1MHz TO 1MHz	-1.1 dB MAX
1MHz TO 65MHz	-0.5 dB MAX
65MHz TO 100MHz	-0.8 dB MAX
100MHz TO 125MHz	-1.2 dB MAX

**RET. LOSS (MIN)**

0.5MHz-40MHz	-18 dB
40MHz-100MHz	-12+20LOG(f/80MHz) dB

**CM TO CM REJ**

100kHz - 100MHz	-30 dB MIN
-----------------	------------

**CM TO DM REJ**

100kHz - 100MHz	-35 dB MIN
-----------------	------------

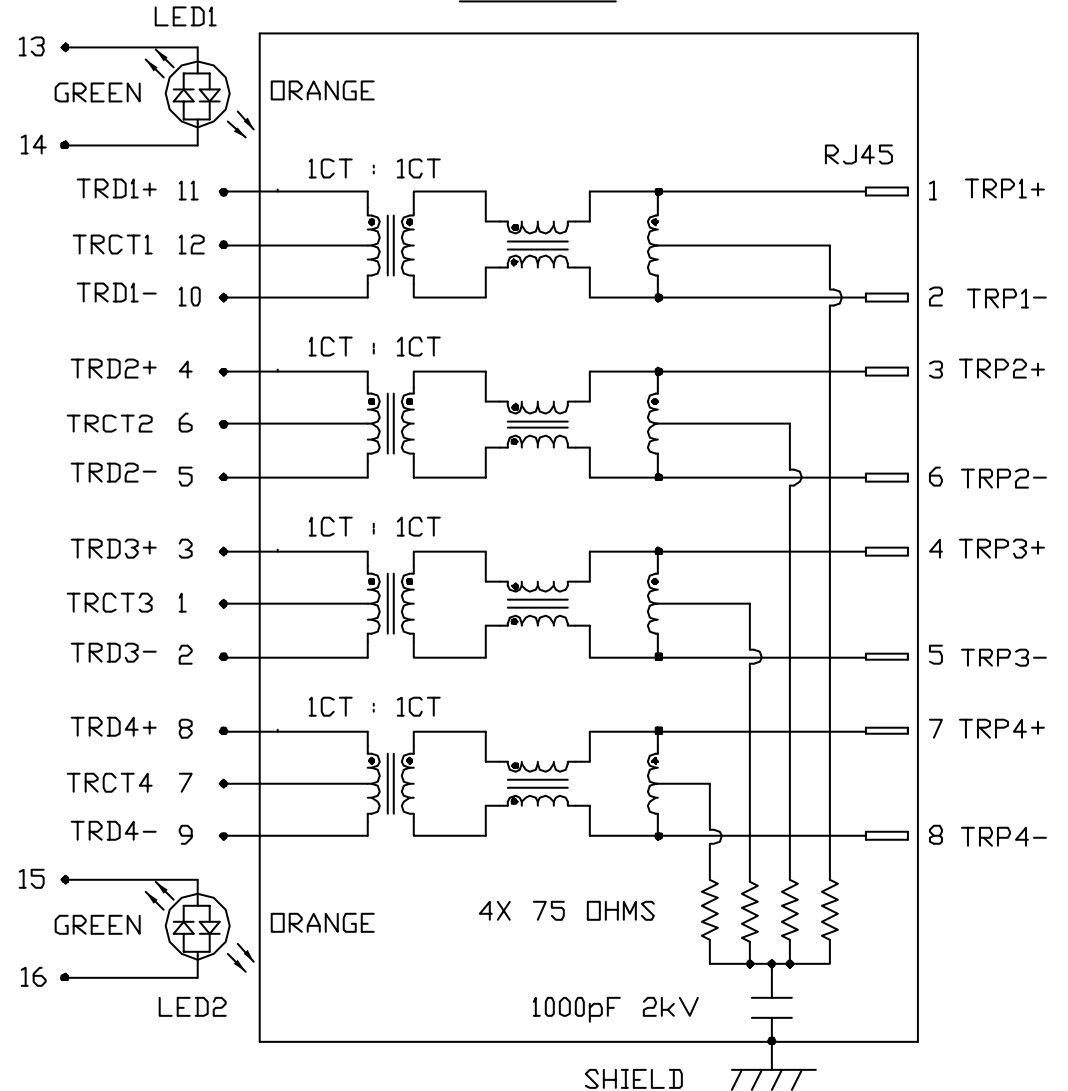
**HIPOT (Isolation Voltage):**

1500 Vrms

**LED 1 & 2**

VF (FORWARD VOLTAGE)	IF=20mA	GREEN	2.2V TYP.
		ORANGE	2.0V TYP.
λD (DOMINANT WAVELENGTH)	IF=20mA	GREEN	565nm TYP.
		ORANGE	610nm TYP.

**SCHEMATIC**



DRWN	DATE	TITLE
YAMI	03-10-04	gigabit MagJack™ (12 cores, Tap Up)
CHKD	DATE	
CHUNG	03-10-04	

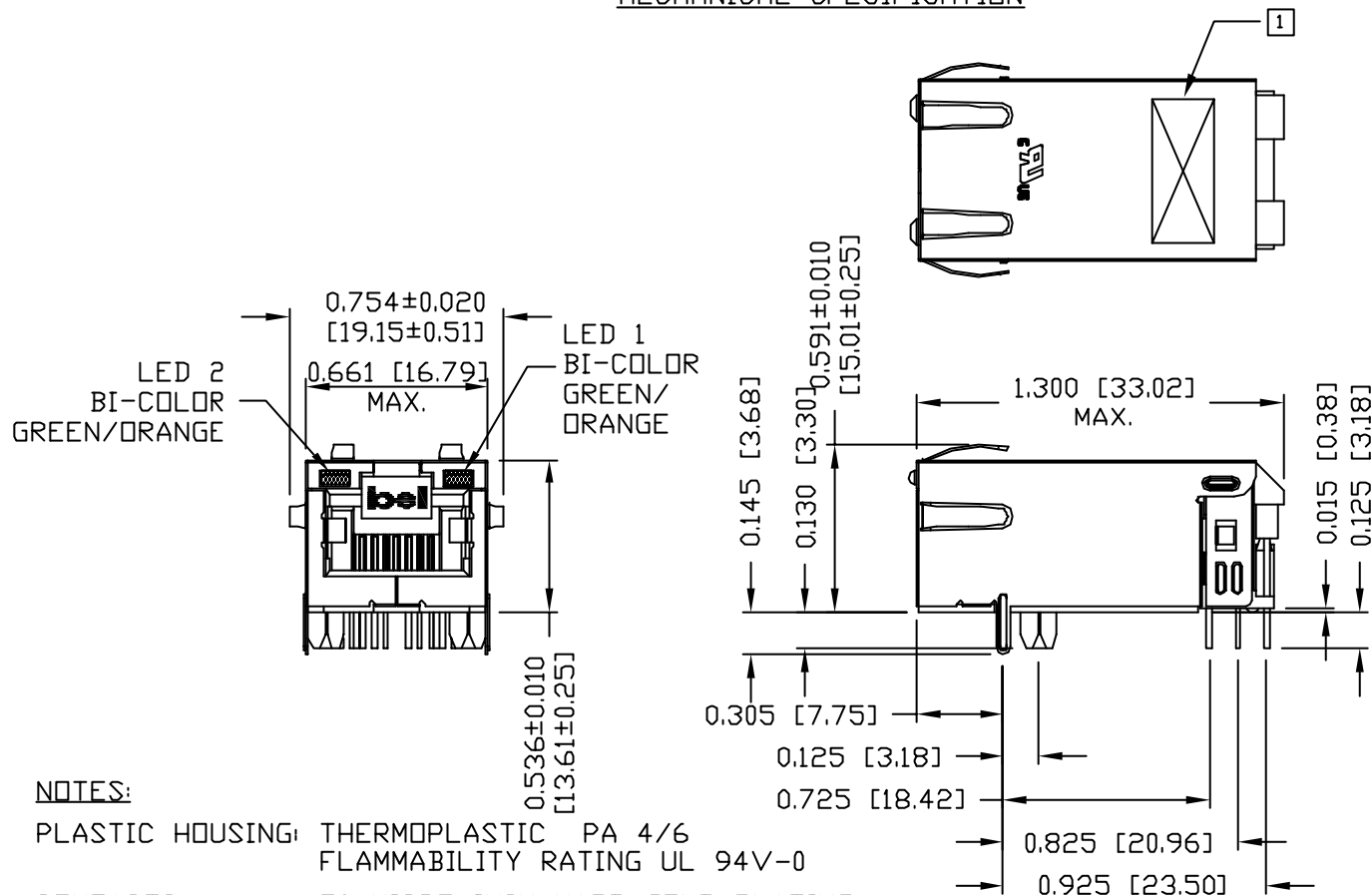
PART NO. / DRAWING NO.	FILE NAME
0826-1B1T-23	08261B1T23D.DWG

STANDARD DIM. TOL. IN INCH		[ ] METRIC DIM. AS REFERENCE	
.X	/	UNIT : INCH [mm]	REV. : D
.XX		SCALE : N/A	SIZE : A4
.XXX			PAGE : 2



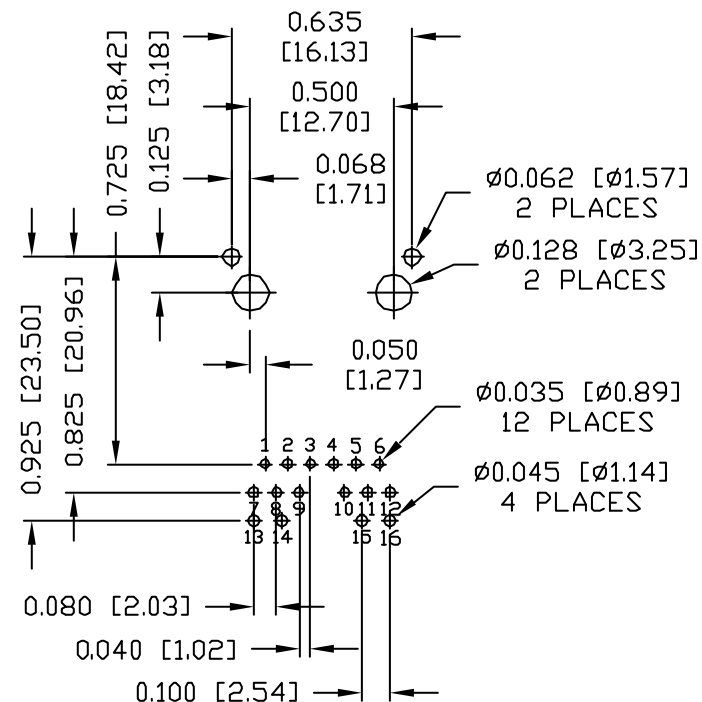
THE INFORMATION CONTAINED HEREIN IS CONSIDERED "PROPRIETARY" TO BEL FUSE INC. AND SHALL NOT BE COPIED, REPRODUCED OR DISCLOSED WITHOUT THE WRITTEN APPROVAL OF BEL FUSE INC.

MECHANICAL SPECIFICATION



RECOMMENDED PCB FOOTPRINT

COMPONENT SIDE VIEW



NOTES:

- PLASTIC HOUSING: THERMOPLASTIC PA 4/6  
FLAMMABILITY RATING UL 94V-0
- CONTACTS: 50 MICRO-INCH HARD GOLD PLATING
- OUTPUT PINS: TIN-COATED COPPER WIRE, DIA 0.018 INCH.
- SOLDERABILITY: PER MIL STD. 202, METHOD 208.
- METAL SHIELD: TIN/LEAD PLATED ON COPPER ALLOY.
- [1] MARK PART WITH MFG LOGO, MFG NAME, PART NUMBER, AND DATE CODE.

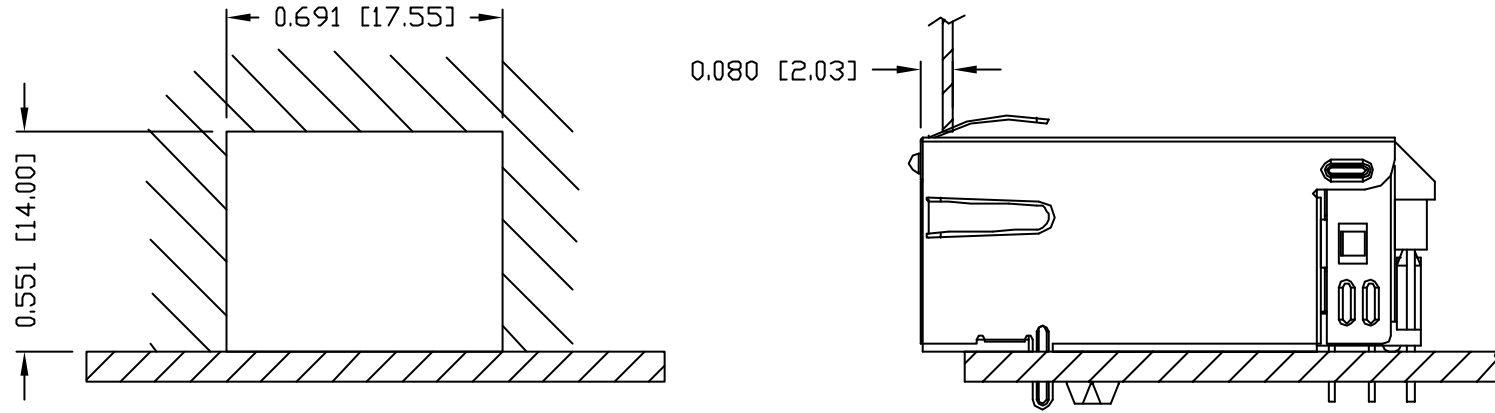
US UL RECOGNIZED - FILE #E196366 AND E169987.

DRWN	DATE	TITLE	PART NO. / DRAWING NO.	STANDARD DIM. TOL. IN INCH		[ ] METRIC DIM. AS REFERENCE		REV. : D	PAGE : 3
				.X	.XX	.XXX	UNIT : INCH [mm]		
YAMI	03-10-04	gigabit MagJack™ (12 cores, Tap Up)	0826-1B1T-23						
CHKD	DATE		FILE NAME						
BILL/KEUNG	03-10-04		08261B1T23D.DWG		±0.010				



THE INFORMATION CONTAINED HEREIN IS CONSIDERED "PROPRIETARY" TO BEL FUSE INC. AND SHALL NOT BE COPIED, REPRODUCED OR DISCLOSED WITHOUT THE WRITTEN APPROVAL OF BEL FUSE INC.

SUGGESTED PANEL OPENING



NOTE:

THE DISTANCE OF PANEL INSIDE SURFACE RELATIVE TO FRONT SURFACE OF PART IS ONLY A SUGGESTION. IN CASE THIS DISTANCE IS DIFFERENT, THE REQUIRED PANEL OPENING DIMENSIONS CHANGE ACCORDINGLY.

PACKING INFORMATION

PACKING TRAY : 0200-9999-F6 (TOP)

0200-9999-F7 (BOTTOM)

PACKING QUANTITY : 40 PCS FINISHED GOODS PER TRAY

10 TRAYS (400 PCS FINISHED GOODS) PER CARTON BOX

NOTE : CARDBOARDS ARE PLACED BETWEEN LAYERS OF PACKING TRAY INSIDE CARTON BOX  
(INCLUDE THE UPPERMOST AND LOWERMOST TRAY)

DRWN	DATE	TITLE	PART NO. / DRAWING NO.	STANDARD DIM.		[ ] METRIC DIM. AS REFERENCE		REV. : D	bel
				TOL. IN INCH		UNIT : INCH [mm]	SIZE : A4		
YAMI	03-10-04	gigabit MagJack™ (12 cores, Tap Up)	0826-1B1T-23	.X	/	SCALE : N/A	SIZE : A4	PAGE : 4	COMPONENTS CONNECTED PLANET™
CHKD	DATE		FILE NAME	.XX					
BILL/KEUNG	03-10-04		08261B1T23D.DWG	.XXX		±0.005			