

## RF Power MOSFET Transistor 10W, 2-175MHz, 28V

M/A-COM Products  
Released; RoHS Compliant

### Features

- N-Channel enhancement mode device
- DMOS structure
- Lower capacitances for broadband operation
- Common source configuration
- Low noise floor

### ABSOLUTE MAXIMUM RATINGS AT 25° C

Parameter	Symbol	Rating	Units
Drain-Source Voltage	$V_{DS}$	65	V
Gate-Source Voltage	$V_{GS}$	20	V
Drain-Source Current	$I_{DS}$	2.8	A
Power Dissipation	$P_D$	35	W
Junction Temperature	$T_J$	200	°C
Storage Temperature	$T_{STG}$	-65 to +150	°C
Thermal Resistance	$\theta_{JC}$	2	°C/W

### TYPICAL DEVICE IMPEDANCE

F (MHz)	$Z_{IN}$ ( $\Omega$ )	$Z_{LOAD}$ ( $\Omega$ )
30	20 - j11.0	23.0 + j3.0
50	24.0 - j15.0	19.0 + j5.0
100	18.0 - j18.0	14.0 + j6.0
200	12.0 - j19.0	9.0 + j5.0

$V_{DD} = 28V, I_{DQ} = 100mA, P_{OUT} = 10.0W$

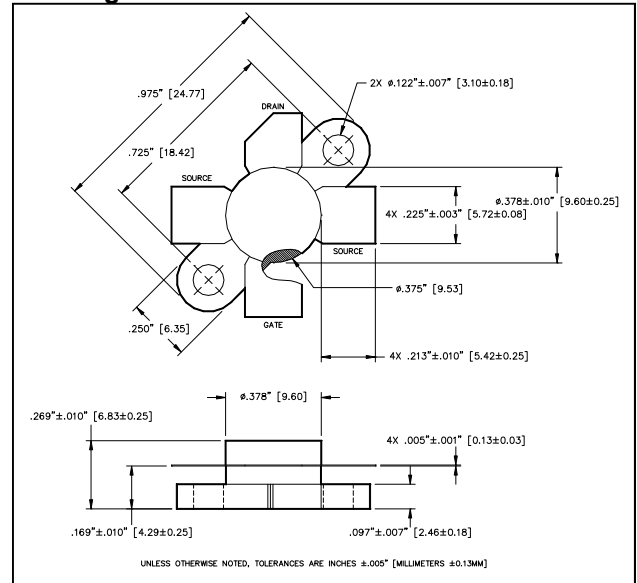
$Z_{IN}$  is the series equivalent input impedance of the device from gate to source.

$Z_{LOAD}$  is the optimum series equivalent load impedance as measured from drain to ground.

### ELECTRICAL CHARACTERISTICS AT 25°C

Parameter	Symbol	Min	Max	Units	Test Conditions
Drain-Source Breakdown Voltage	$BV_{DSS}$	65	-	V	$V_{GS} = 0.0 V, I_{DS} = 4.0 mA$
Drain-Source Leakage Current	$I_{DSS}$	-	2.0	mA	$V_{GS} = 28.0 V, V_{DS} = 0.0 V$
Gate-Source Leakage Current	$I_{GSS}$	-	2.0	$\mu A$	$V_{GS} = 20.0 V, V_{DS} = 0.0 V$
Gate Threshold Voltage	$V_{GS(TH)}$	2.0	6.0	V	$V_{DS} = 10.0 V, I_{DS} = 20 mA$
Forward Transconductance	$G_M$	160	-	S	$V_{DS} = 10.0 V, I_{DS} = 200 mA, Pulsed 80-300 \mu s$
Input Capacitance	$C_{ISS}$	-	14	pF	$V_{DS} = 28.0 V, F = 1.0 MHz$
Output Capacitance	$C_{OSS}$	-	10	pF	$V_{DS} = 28.0 V, F = 1.0 MHz$
Reverse Capacitance	$C_{RSS}$	-	4.6	pF	$V_{DS} = 28.0 V, F = 1.0 MHz$
Power Gain	$G_P$	13	-	dB	$V_{DD} = 28.0 V, I_{DQ} = 100 mA, P_{OUT} = 10 W F = 175 MHz$
Drain Efficiency	$\eta_D$	55	-	%	$V_{DD} = 28.0 V, I_{DQ} = 100 mA, P_{OUT} = 10 W F = 175 MHz$
Load Mismatch Tolerance	VSWR-T	-	20:1	-	$V_{DD} = 28.0 V, I_{DQ} = 100 mA, P_{OUT} = 10 W F = 175 MHz$

### Package Outline

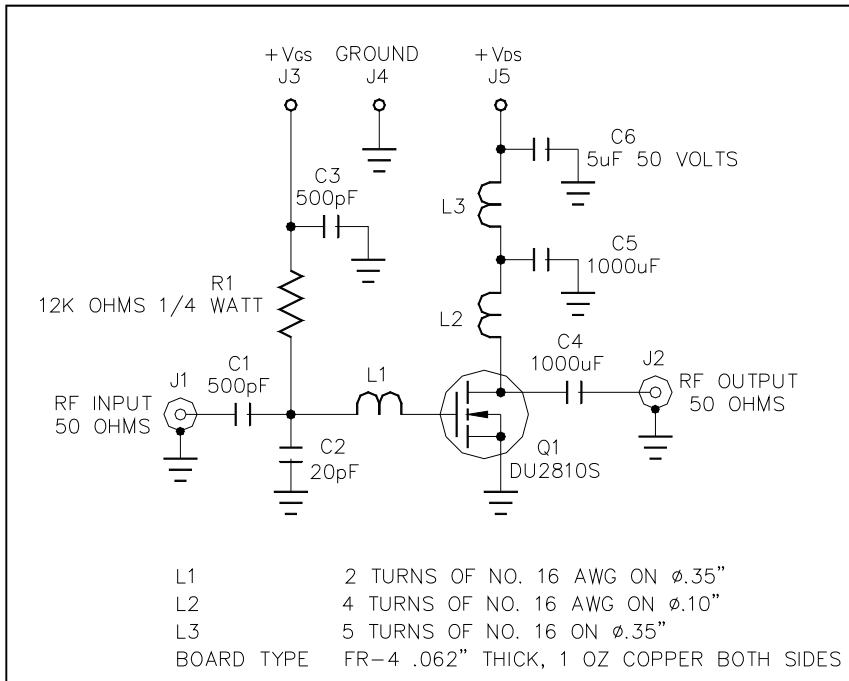


LETTER DIM	MILLIMETERS		INCHES	
	MIN	MAX	MIN	MAX
A	24.64	24.89	.970	.980
B	18.29	18.54	.720	.730
C	20.07	20.83	.790	.820
D	9.47	9.73	.373	.383
E	6.22	6.48	.245	.255
F	5.64	5.79	.222	.228
G	2.92	3.30	.115	.130
H	2.29	2.67	.090	.105
J	4.04	4.55	.159	.179
K	6.58	7.39	.259	.291
L	.10	.15	.004	.006

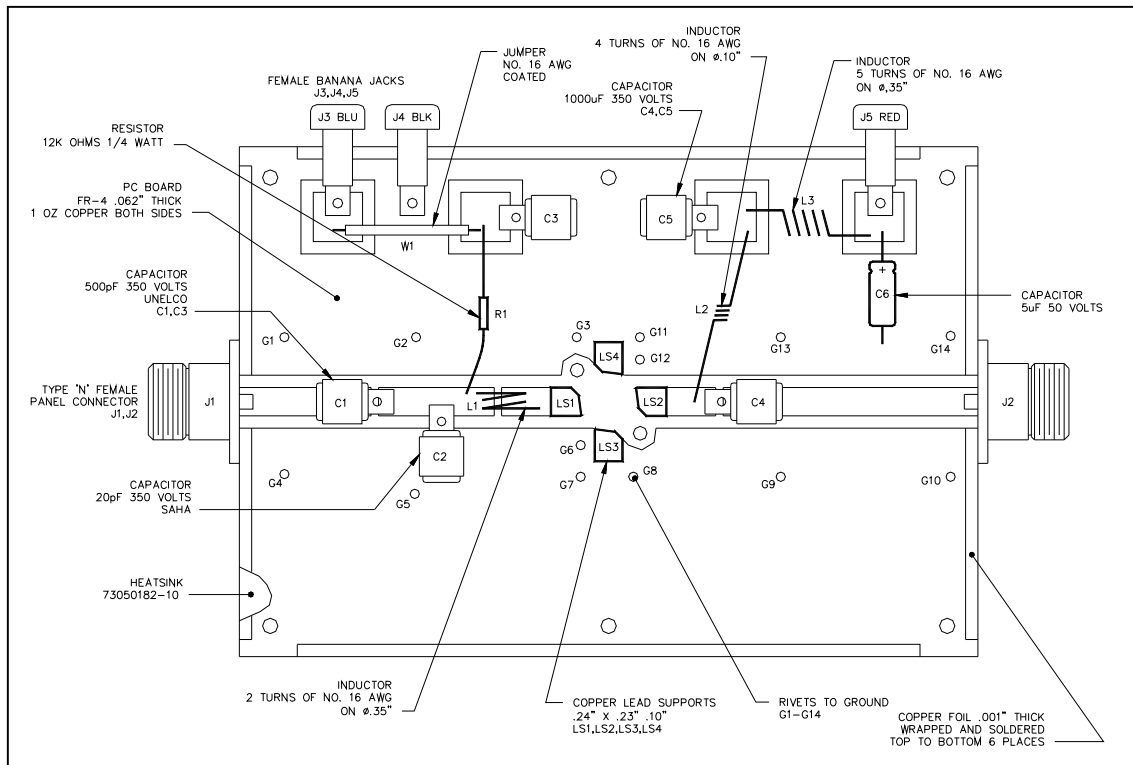
## RF Power MOSFET Transistor 10W, 2-175MHz, 28V

M/A-COM Products  
Released; RoHS Compliant

### TEST FIXTURE SCHEMATIC



### TEST FIXTURE ASSEMBLY



**ADVANCED:** Data Sheets contain information regarding a product M/A-COM Technology Solutions is considering for development. Performance is based on target specifications, simulated results, and/or prototype measurements. Commitment to develop is not guaranteed.

**PRELIMINARY:** Data Sheets contain information regarding a product M/A-COM Technology Solutions has under development. Performance is based on engineering tests. Specifications are typical. Mechanical outline has been fixed. Engineering samples and/or test data may be available. Commitment to produce in volume is not guaranteed.

• **North America** Tel: 800.366.2266 / Fax: 978.366.2266

• **Europe** Tel: 44.1908.574.200 / Fax: 44.1908.574.300

• **Asia/Pacific** Tel: 81.44.844.8296 / Fax: 81.44.844.8298

Visit [www.macontech.com](http://www.macontech.com) for additional data sheets and product information.

M/A-COM Technology Solutions Inc. and its affiliates reserve the right to make changes to the product(s) or information contained herein without notice.