

THE INFORMATION CONTAINED HEREIN IS CONSIDERED "PROPRIETARY" TO BEL FUSE INC. AND SHALL NOT BE COPIED, REPRODUCED OR DISCLOSED WITHOUT THE WRITTEN APPROVAL OF BEL FUSE INC.

| LED1 POLARITY |        |        | LED2 POLARITY |        |       |
|---------------|--------|--------|---------------|--------|-------|
| PIN 13        | PIN 14 | COLOR  | PIN 15        | PIN 16 | COLOR |
| -             | +      | YELLOW | -             | +      | GREEN |

**ELECTRICAL CHARACTERISTICS @ 25°C**

**URNS RATIO**

|     |               |
|-----|---------------|
| TP1 | 1CT : 1CT ±2% |
| TP2 | 1CT : 1CT ±2% |
| TP3 | 1CT : 1CT ±2% |
| TP4 | 1CT : 1CT ±2% |

□CL @ 100kHz/100mVRMS  
8mA DC BIAS

350mH MIN.

**INS. LOSS**

|                  |             |
|------------------|-------------|
| 0.1MHz TO 1MHz   | -1.1 dB MAX |
| 1MHz TO 65MHz    | -0.5 dB MAX |
| 65MHz TO 100MHz  | -0.8 dB MAX |
| 100MHz TO 125MHz | -1.2 dB MAX |

**RET. LOSS (MIN)**

|              |                       |
|--------------|-----------------------|
| 0.5MHz-40MHz | -18 dB                |
| 40MHz-100MHz | -12+20LOG(f/80MHz) dB |

**CM TO CM REJ**

|                 |            |
|-----------------|------------|
| 100kHz - 100MHz | -30 dB MIN |
|-----------------|------------|

**CM TO DM REJ**

|                 |            |
|-----------------|------------|
| 100kHz - 100MHz | -35 dB MIN |
|-----------------|------------|

HIPOT (Isolation Voltage): 1500 Vrms or 2250VDC  
100% OF PRODUCTION TESTED TO COMPLY WITH  
IEEE 802.3 ISOLATION REQUIREMENTS.

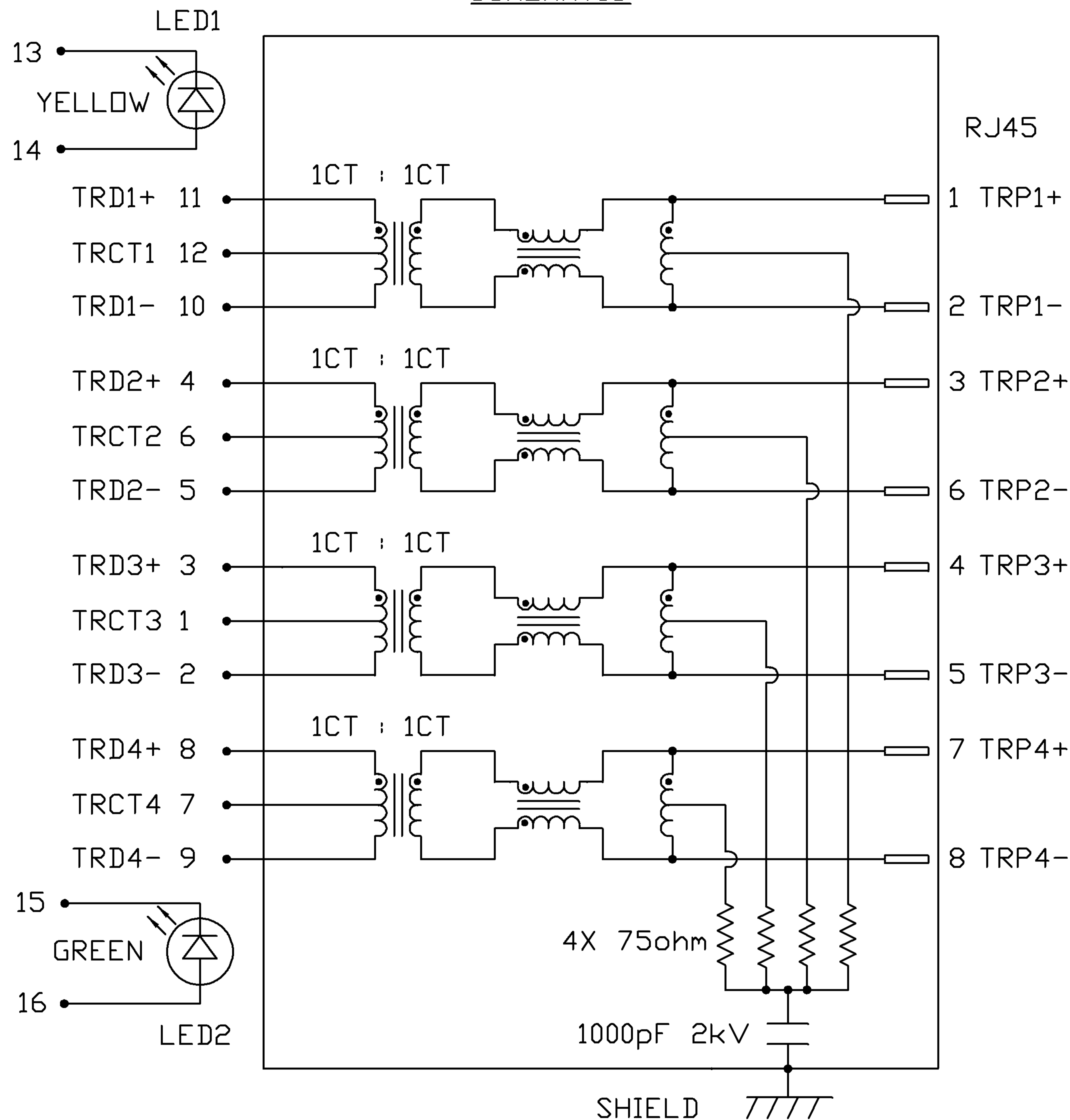
**LED 1**

VF (FORWARD VOLTAGE) IF=20mA YELLOW 2.1V TYP.  
LD (DOMINANT WAVELENGTH) IF=20mA YELLOW 590nm TYP.

**LED 2**

VF (FORWARD VOLTAGE) IF=20mA GREEN 2.2V TYP.  
LD (DOMINANT WAVELENGTH) IF=20mA GREEN 565nm TYP.

**SCHEMATIC**



|                      |             |
|----------------------|-------------|
| <b>ORIGINATED BY</b> | <b>DATE</b> |
| CHOWWANCHUNG         | 06-30-08    |
| <b>DRAWN BY</b>      | <b>DATE</b> |
| WEIDE LEE            | 06-30-08    |

|  |
|--|
| <b>TITLE</b>                           |
| gigabit MagJack®<br>(12 cores, Tab Up) |

|                               |
|-------------------------------|
| <b>PART NO. / DRAWING NO.</b> |
| 0826-1A1T-23                  |
| <b>FILE NAME</b>              |
| 0826-1A1T-23_E.DWG            |

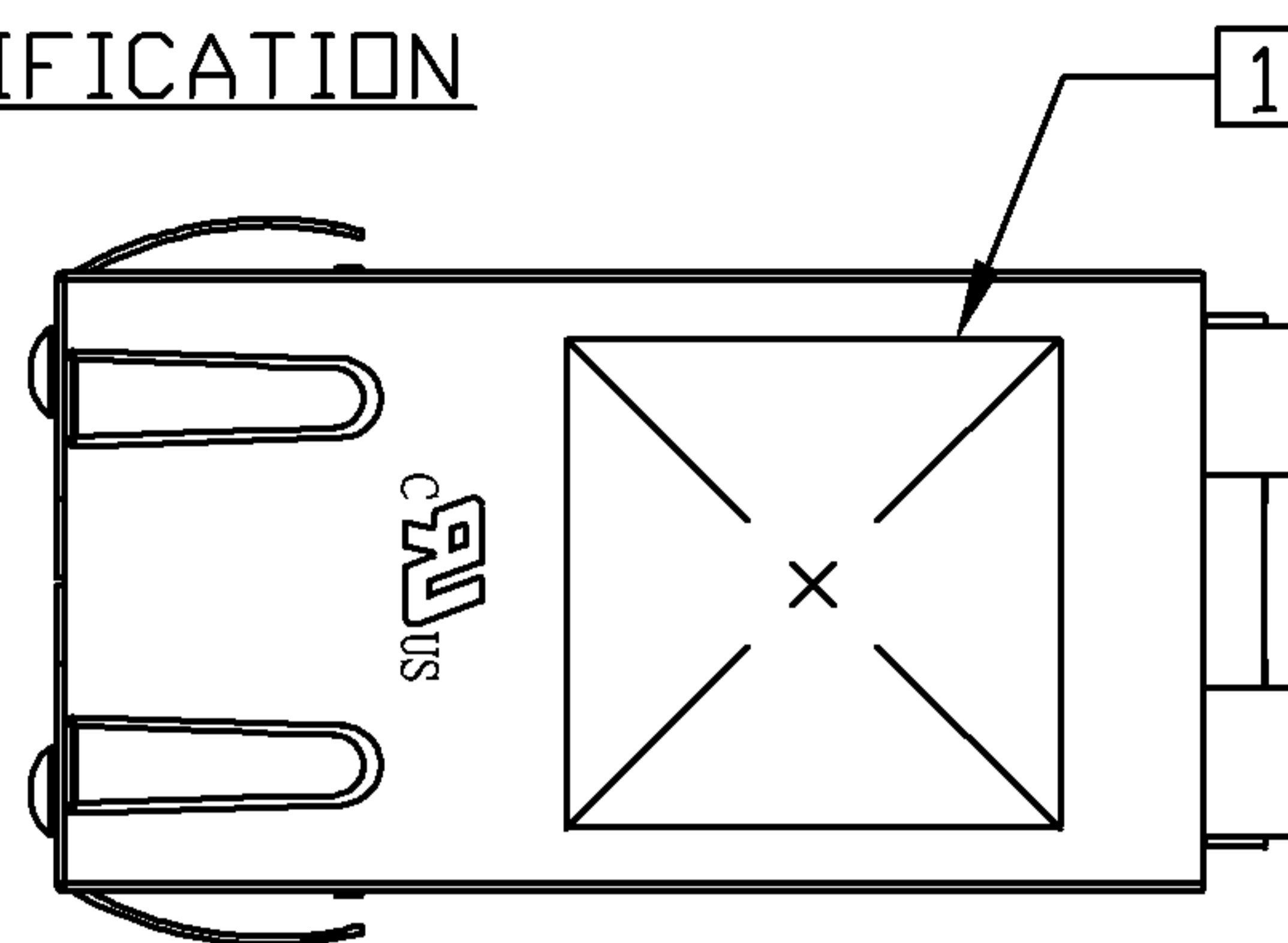
|                                   |
|-----------------------------------|
| <b>STANDARD DIM. TOL. IN INCH</b> |
| .X                                |
| .XX                               |
| .XXX                              |

|                                     |
|-------------------------------------|
| <b>[ ] METRIC DIM. AS REFERENCE</b> |
| UNIT : INCH [mm]                    |
| SCALE : N/A                         |
| REV. : E                            |
| SIZE : A4                           |
| PAGE : 2                            |

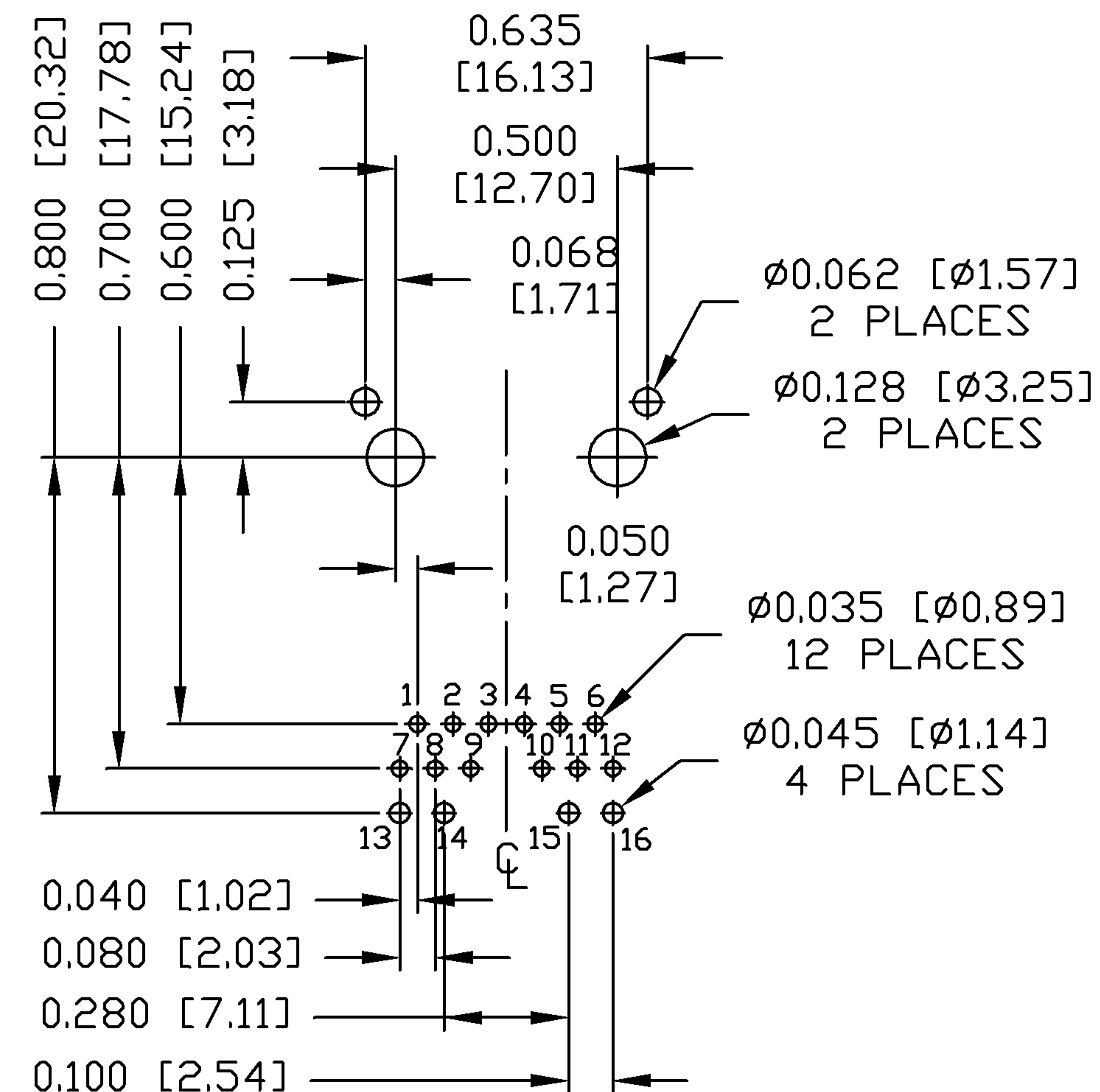
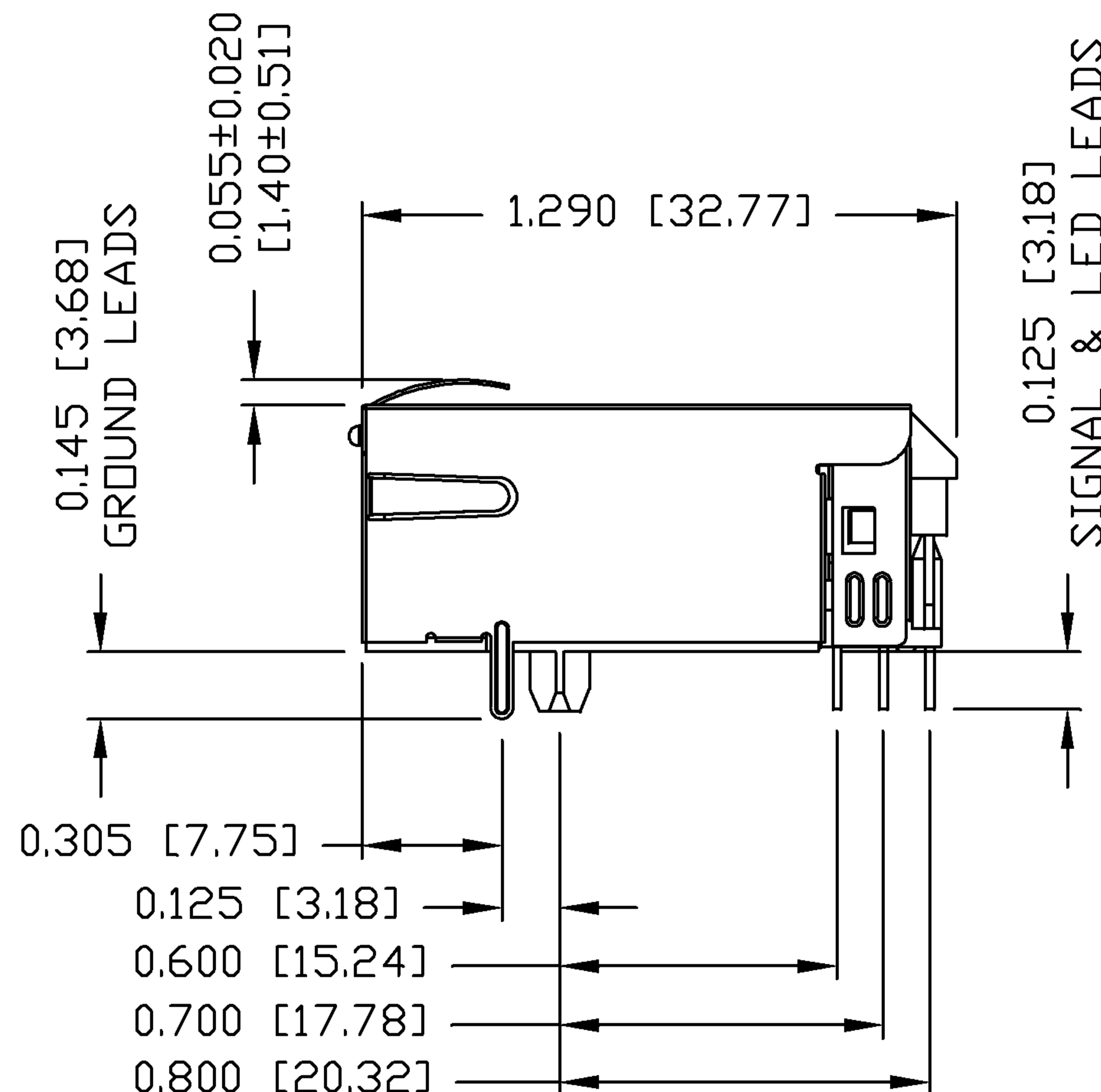
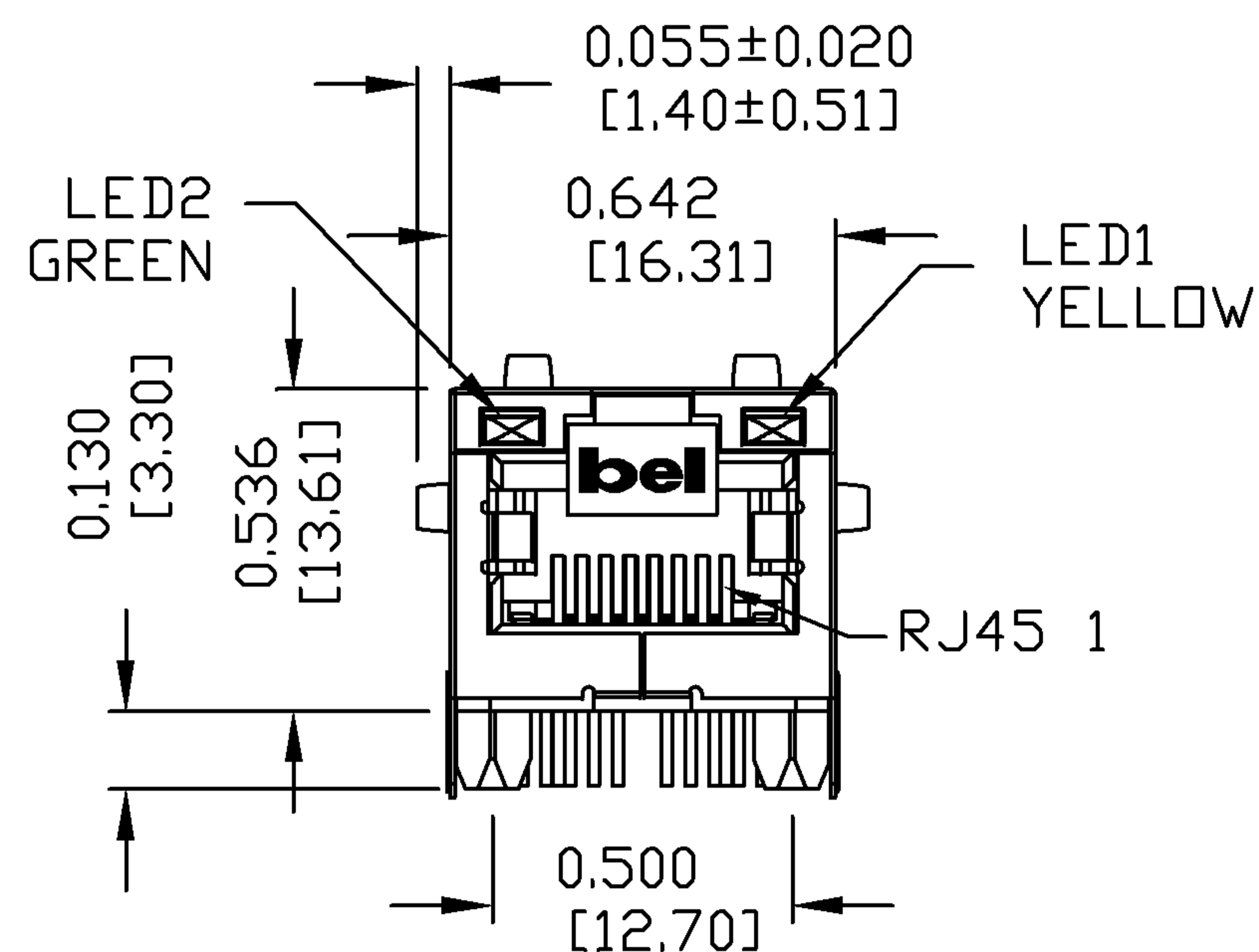


THE INFORMATION CONTAINED HEREIN IS CONSIDERED "PROPRIETARY" TO BEL FUSE INC. AND SHALL NOT BE COPIED, REPRODUCED OR DISCLOSED WITHOUT THE WRITTEN APPROVAL OF BEL FUSE INC.

MECHANICAL SPECIFICATION



RECOMMENDED PCB FOOTPRINT  
COMPONENT SIDE VIEW



NOTES:

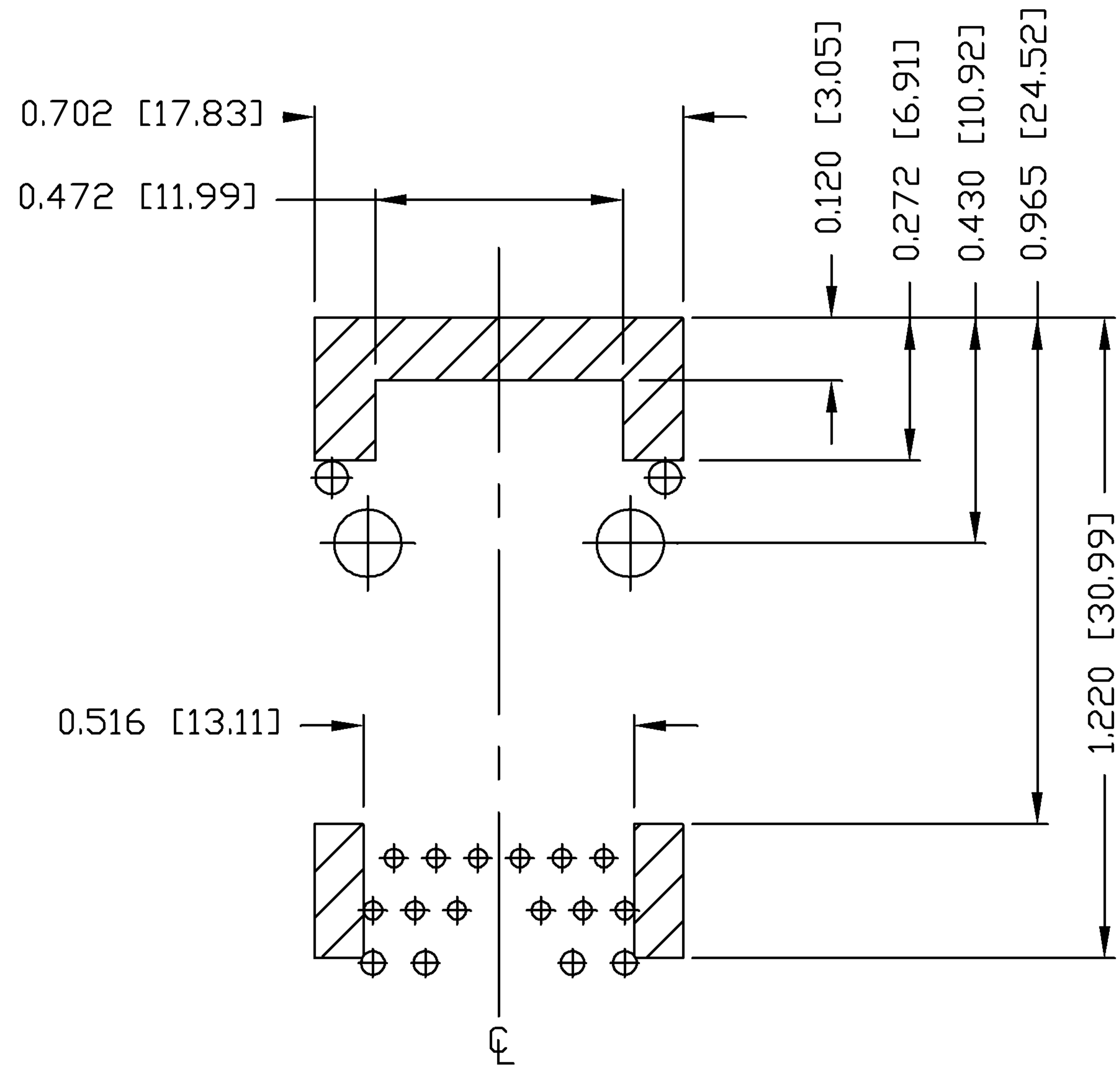
- PLASTIC HOUSING: THERMOPLASTIC PA
- FLAMMABILITY RATING UL 94V-0
- CONTACTS: 50 MICRO-INCH HARD GOLD PLATING
- OUTPUT PINS: TIN-COATED COPPER WIRE, DIA 0.018 INCH.
- METAL SHIELD: NICKEL PLATED ON COPPER ALLOY.
- (ALL GROUND LEADS ARE SOLDER DIPPED)

☐ MARK PART WITH MFG LOGO, MFG NAME, PART NUMBER, AND DATE CODE.

US UL RECOGNIZED - FILE #E196366 AND E169987.  
JACK CAVITY CONFORMS TO FCC RULES AND REGULATIONS.


|                           |                  |   |  |                               |                              |   |
|---------------------------|------------------|---|--|-------------------------------|------------------------------|---|
| ORIGINATED BY<br>ZX HUANG | DATE<br>06-30-08 | TITLE<br>gigabit MagJack®<br>(12 cores, Tab Up) | PART NO. / DRAWING NO.<br>0826-1A1T-23 | STANDARD DIM.<br>TOL. IN INCH | [ ] METRIC DIM. AS REFERENCE | <br>COMPONENTS FOR A<br>CONNECTED<br>PLANET |
| DRAWN BY<br>CHEN TING     | DATE<br>06-30-08 |   | FILE NAME<br>0826-1A1T-23_E.DWG        | .X                            | UNIT : INCH [mm]             |   |
|                           |                  |   | .XX                                    | SCALE : N/A                   | SIZE : A4                    |   |
|                           |                  |   | .XXX                                   | ±0.010                        | PAGE : 3                     |   |

THE INFORMATION CONTAINED HEREIN IS CONSIDERED "PROPRIETARY" TO BEL FUSE INC. AND SHALL NOT BE COPIED, REPRODUCED OR DISCLOSED WITHOUT THE WRITTEN APPROVAL OF BEL FUSE INC.



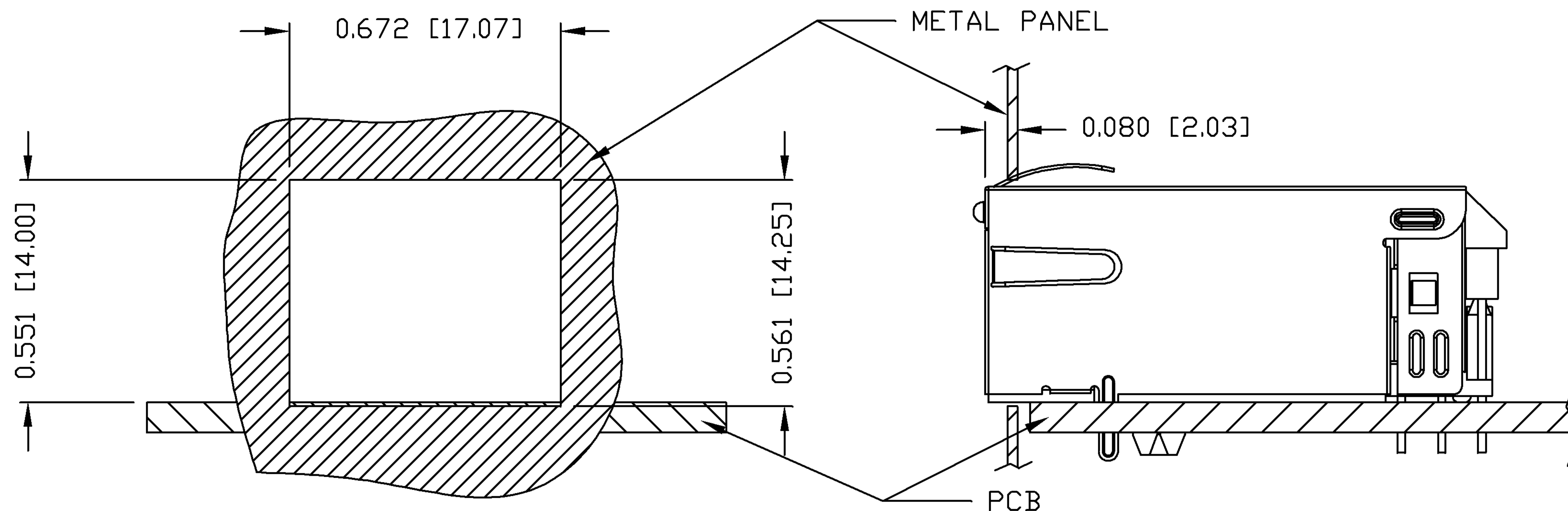
NOTES

THE SHADED AREA ON THE CUSTOMER BOARD ARE RECOMMENDED TO BE CLEAR OFF ANY VIA HOLE OR COMPONENT PAD.

|                           |                  |   |  |                               |                              |  |
|---------------------------|------------------|---|--|-------------------------------|------------------------------|--|
| ORIGINATED BY<br>ZX HUANG | DATE<br>06-30-08 | TITLE<br>gigabit MagJack®<br>(12 cores, Tab Up) | PART NO. / DRAWING NO.<br>0826-1A1T-23 | STANDARD DIM.<br>TOL. IN INCH | [ ] METRIC DIM. AS REFERENCE | <br>COMPONENTS FOR A<br>CONNECTED<br>PLANET |
| DRAWN BY<br>CHEN TING     | DATE<br>06-30-08 |   | FILE NAME<br>0826-1A1T-23_E.DWG        | .X                            | UNIT : INCH [mm]             |  |
|                           |                  |   | .XX                                    | SCALE : N/A                   | SIZE : A4                    |  |
|                           |                  |   | .XXX                                   | ±0.004                        | PAGE : 4                     |  |

THE INFORMATION CONTAINED HEREIN IS CONSIDERED "PROPRIETARY" TO BEL FUSE INC. AND SHALL NOT BE COPIED, REPRODUCED OR DISCLOSED WITHOUT THE WRITTEN APPROVAL OF BEL FUSE INC.

SUGGESTED PANEL OPENING



NOTE:

THE DISTANCE OF PANEL INSIDE SURFACE RELATIVE TO FRONT SURFACE OF PART IS ONLY A SUGGESTION. IN CASE THIS DISTANCE IS DIFFERENT, THE REQUIRED PANEL OPENING DIMENSIONS CHANGE ACCORDINGLY.

PACKING INFORMATION

PACKING TRAY : 0200-9999-F6 (TOP)

0200-9999-F7 (BOTTOM)

PACKING QUANTITY : 40 PCS FINISHED GOODS PER TRAY

10 TRAYS (400 PCS FINISHED GOODS) PER CARTON BOX

NOTE : CARDBOARDS ARE PLACED BETWEEN LAYERS OF PACKING TRAY INSIDE CARTON BOX (INCLUDE THE UPPERMOST AND LOWERMOST TRAY)

|                                  |                         |  |   |   |                                     |          |   |
|----------------------------------|-------------------------|--|---|---|-------------------------------------|----------|---|
| <b>ORIGINATED BY</b><br>ZX HUANG | <b>DATE</b><br>06-30-08 | <b>TITLE</b><br>gigabit MagJack®<br>(12 cores, Tab Up) | <b>PART NO. / DRAWING NO.</b><br>0826-1A1T-23 | <b>STANDARD DIM. TOL. IN INCH</b><br>.X<br>.XX<br>.XXX ±0.004 | <b>[ ] METRIC DIM. AS REFERENCE</b> |          | <b>bel</b><br>COMPONENTS FOR A<br>CONNECTED<br>PLANET |
| <b>DRAWN BY</b><br>CHEN TING     | <b>DATE</b><br>06-30-08 |  | <b>FILE NAME</b><br>0826-1A1T-23_E.DWG        |   | UNIT : INCH [mm]                    | REV. : E |   |
|                                  |                         |  |   | SCALE : N/A   | SIZE : A4                           |          |   |
|                                  |                         |  |   | ⊕   | PAGE : 5                            |          |   |