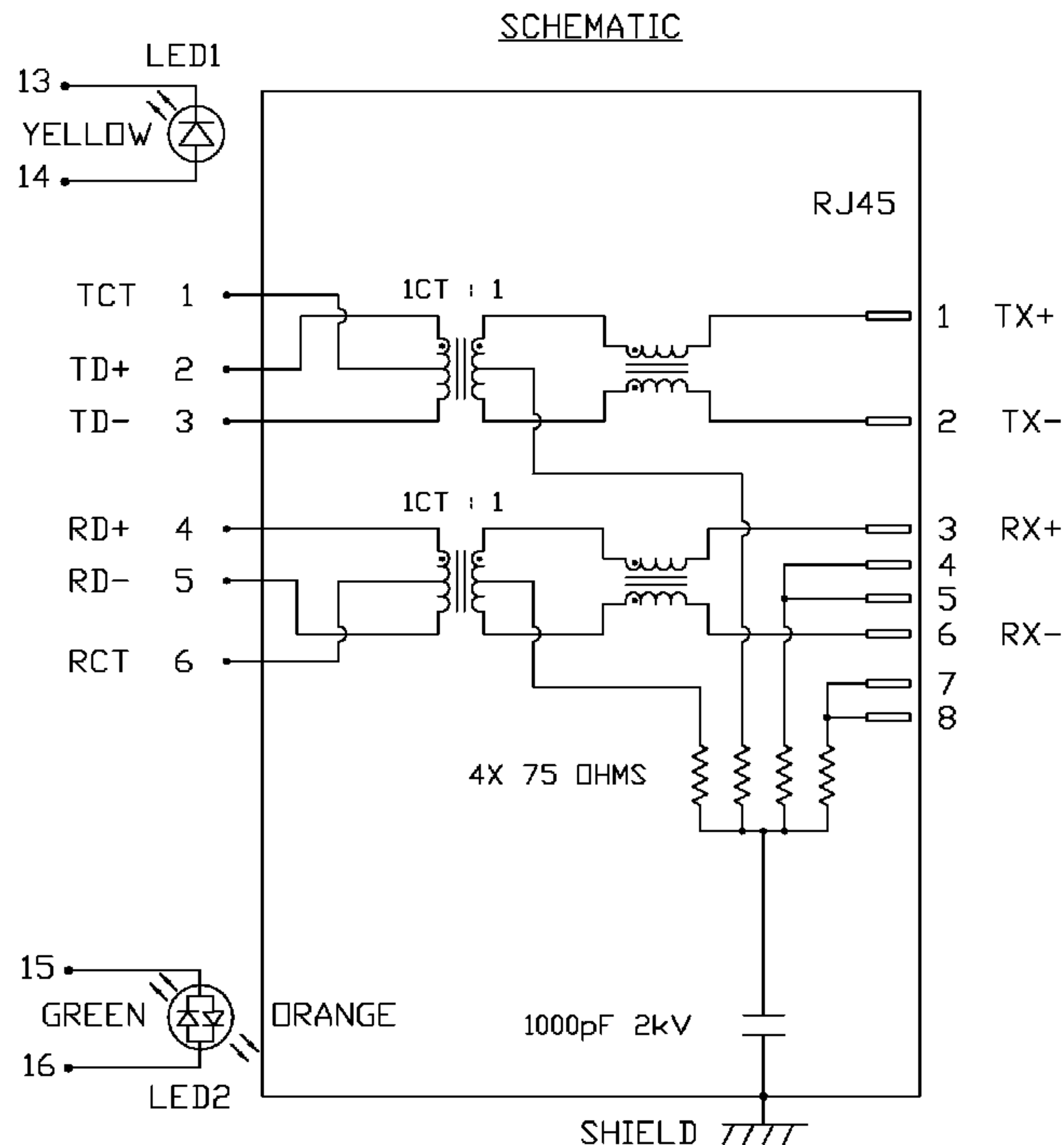


THE INFORMATION CONTAINED HEREIN IS CONSIDERED "PROPRIETARY" TO BEL FUSE INC. AND SHALL NOT BE COPIED, REPRODUCED OR DISCLOSED WITHOUT THE WRITTEN APPROVAL OF BEL FUSE INC.

LED1 POLARITY			LED2 POLARITY		
PIN 13	PIN 14	COLOR	PIN 15	PIN 16	COLOR
-	+	YELLOW	+	-	ORANGE
/	/	/	-	+	GREEN

ELECTRICAL CHARACTERISTICS @ 25°C

TURNS RATIO	
TX	1CT : 1
RX	1CT : 1
QCL @ 100kHz/100mVRMS	
8mA DC BIAS	350µH MIN.
INS. LOSS	
1MHz TO 100MHz	-1.0 dB MAX
RET. LOSS (MIN)	
1MHz-30MHz	-18 dB
30MHz-60MHz	-18+20LOG(F/30MHz) dB
60MHz-80MHz	-12 dB
CROSS TALK (TX - RX)	
500kHz-100MHz	-35 dB MIN
CM TO CM REJ	
100kHz-100MHz	-30 dB MIN
CM TO DM REJ	
100kHz-100MHz	-40 dB MIN
HIPOT (Isolation Voltage):	
	1500 Vrms or 2250VDC
OPERATING TEMPERATURE:	
	-40°C TO 85°C
LED 1	
VF (FORWARD VOLTAGE)	IF=20mA YELLOW 2.1V TYP.
λD (DOMINANT WAVELENGTH)	IF=20mA YELLOW 590nm TYP.
LED 2	
VF (FORWARD VOLTAGE)	IF=20mA GREEN 2.2V TYP.
	ORANGE 2.0V TYP.
λD (DOMINANT WAVELENGTH)	IF=20mA GREEN 565nm TYP.
	ORANGE 610nm TYP.



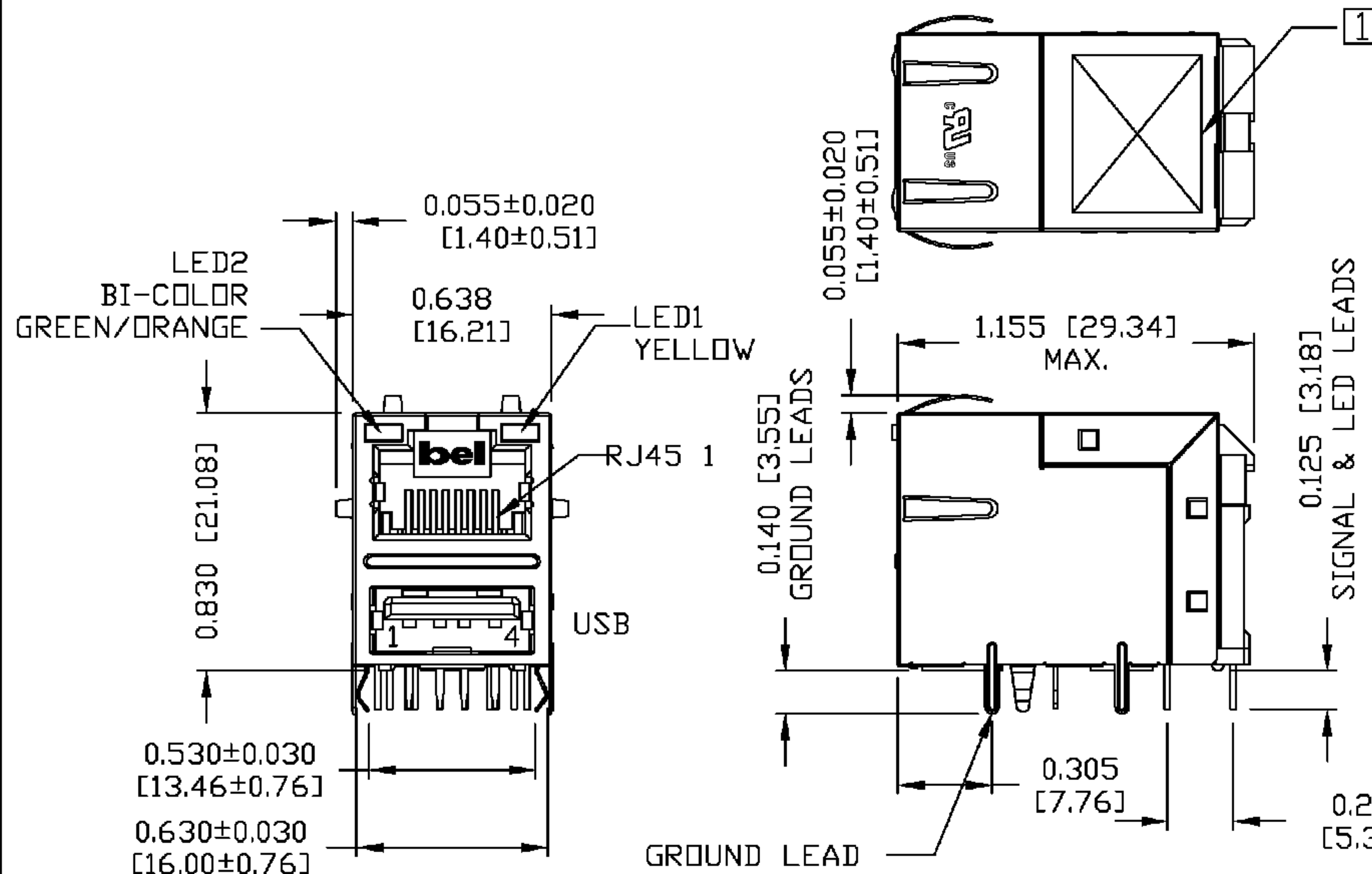
USB ELECTRICAL:

INSULATION RESISTANCE:	1000 MEGA (MIN)
CONTACT RESISTANCE:	25 MILLI (MAX)
DIELECTRIC WITHSTANDING:	750 VAC

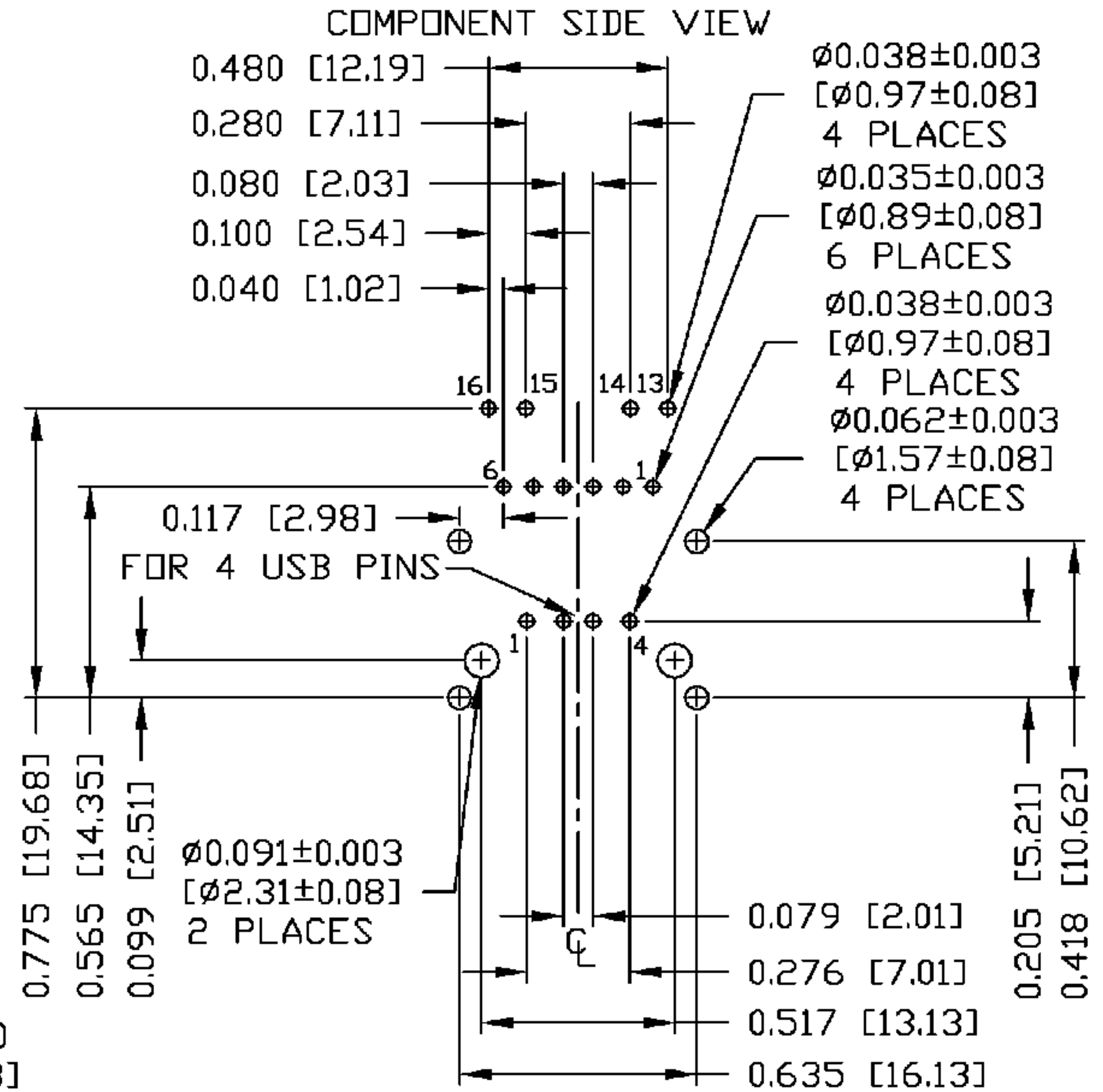
ORIGINATED BY	DATE	TITLE	PART NO. / DRAWING NO.	STANDARD DIM.		[] METRIC DIM. AS REFERENCE		bel
				TOL.	IN INCH	UNIT : INCH [mm]	REV. : E	
CHUNG	02-16-06	MagJack® Combo	0821-1X1T-36	.X	/	SCALE : N/A	SIZE : A4	COMPONENTS FOR A CONNECTED PLANET
DRAWN BY	DATE	(single USB, Ext. Temp. MDIX)	FILE NAME	.XX	/	SCALE : N/A	SIZE : A4	
DE	02-16-06		08211X1T36E.DWG	.XXX	/	SCALE : N/A	SIZE : A4	

THE INFORMATION CONTAINED HEREIN IS CONSIDERED "PROPRIETARY" TO BEL FUSE INC. AND SHALL NOT BE COPIED, REPRODUCED OR DISCLOSED WITHOUT THE WRITTEN APPROVAL OF BEL FUSE INC.

MECHANICAL SPECIFICATION



RECOMMENDED PCB FOOTPRINT



RJ45 MECHCNICAL:

PLASTIC HOUSING: THERMOPLASTIC PBT
FLAMMABILITY RATING UL 94V-0
CONTACT PLATING: 30 MICRO-INCH HARD GOLD PLATING
PINS: TIN-COATED COPPER WIRE, DIA 0.018 INCH.
METAL SHIELD: NICKEL PLATED ON COPPER ALLOY.
(ALL GROUND LEADS ARE SOLDER DIPPED)

USB MECHANICAL:

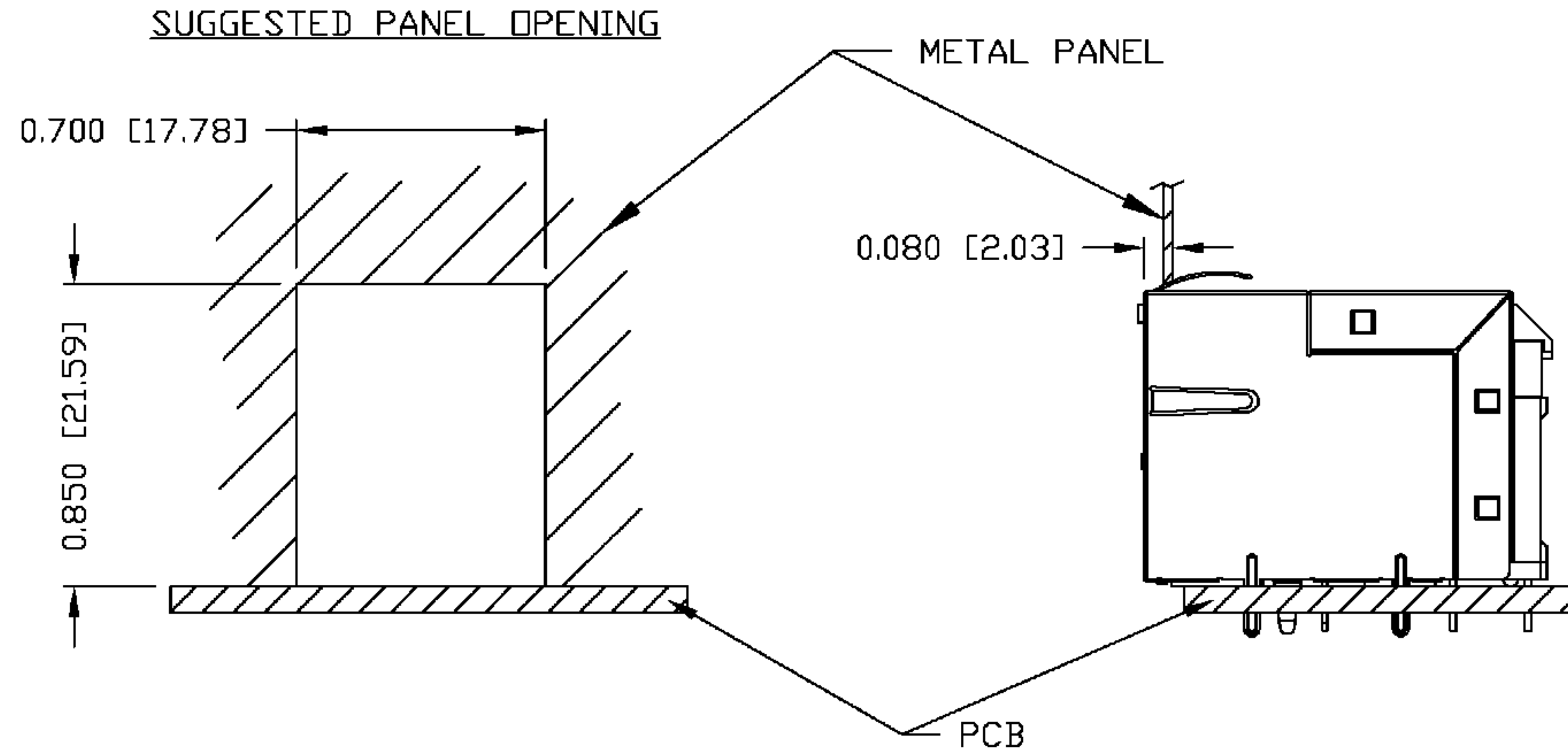
MATING FORCE: 35 NEWTONS MAXIMUM
UNMATING FORCE: 10 NEWTONS MINIMUM
CONTACT: PROSPHER BRONZE
30 MICRO-INCH MIN GOLD PLATING ON CONTACT AREA AND TIN/LEAD ON SOLDER TAIL.

[1] MARK PART WITH MFG. LOGO, MFG. NAME, PART NUMBER, AND DATE CODE.

UL RECOGNIZED - FILE #E196366 AND E169987.

ORIGINATED BY ANTON	DATE 02-16-06	TITLE MagJack® Combo (single USB, Ext. Temp. MDIX)	PART NO. / DRAWING NO. 0821-1X1T-36	STANDARD DIM. TOL. IN INCH	[] METRIC DIM. AS REFERENCE	<p>COMPONENTS FOR A CONNECTED PLANET</p>
DRAWN BY TING	DATE 02-16-06	FILE NAME 08211X1T36E.DWG	.X	UNIT : INCH [mm]	REV. : E	
			.XX	SCALE : N/A	SIZE : A4	
			.XXX ±0.010		PAGE : 3	

THE INFORMATION CONTAINED HEREIN IS CONSIDERED "PROPRIETARY" TO BEL FUSE INC. AND SHALL NOT BE COPIED, REPRODUCED OR DISCLOSED WITHOUT THE WRITTEN APPROVAL OF BEL FUSE INC.



NOTES:

THE DISTANCE OF PANEL INSIDE SURFACE RELATIVE TO FRONT SURFACE OF PART IS ONLY A SUGGESTION. IN CASE THIS DISTANCE IS DIFFERENT, THE REQUIRED PANEL OPENING DIMENSIONS CHANGE ACCORDINGLY.

PACKING INFORMATION

PACKING TRAY : 0200-0148-48 (TOP)
0200-0148-49 (BOTTOM)

PACKING QUANTITY : 60 PCS FINISHED GOODS PER TRAY
8 TRAYS (480 PCS FINISHED GOODS) PER CARTON BOX

NOTE : CARDBOARDS ARE PLACED BETWEEN LAYERS OF PACKING TRAY INSIDE CARTON BOX
(INCLUDE THE UPPERMOST AND LOWERMOST TRAY)

ORIGINATED BY ANTON	DATE 02-16-06	TITLE MagJack® Combo (single USB, Ext. Temp. MDIX)	PART NO. / DRAWING NO. 0821-1X1T-36	STANDARD DIM. TOL. IN INCH	[] METRIC DIM. AS REFERENCE	
	DATE 02-16-06		FILE NAME 08211X1T36E.DWG	.X .XX .XXX	UNIT : INCH [mm] SCALE : N/A	REV. : E SIZE : A4 PAGE : 4
				±0.004		

