

THE INFORMATION CONTAINED HEREIN IS CONSIDERED "PROPRIETARY" TO BEL FUSE INC. AND SHALL NOT BE COPIED, REPRODUCED OR DISCLOSED WITHOUT THE WRITTEN APPROVAL OF BEL FUSE INC.

| LED1 POLARITY | | | LED2 POLARITY | | |
|---------------|-------|--------|---------------|--------|--------|
| PIN 7 | PIN 8 | COLOR | PIN 9 | PIN 10 | COLOR |
| - | + | YELLOW | + | - | ORANGE |
| | | | - | + | GREEN |

RoHS
2002/95/EC



ELECTRICAL CHARACTERISTICS @ 25°C

URNS RATIO

TX 1CT : 1
RX 1CT : 1

OCL @ 100kHz/100mVRMS

8mA DC BIAS 350μH MIN.

INS. LOSS

1MHz TO 100MHz -1.0 dB MAX

RET. LOSS (MIN)

1MHz-30MHz -18 dB
30MHz-60MHz -18+20LOG(F/30MHz) dB
60MHz-80MHz -12 dB

CROSS TALK (TX - RX)

500kHz-100MHz -35 dB MIN

CM TO CM REJ

100kHz-100MHz -30 dB MIN

CM TO DM REJ

100kHz-100MHz -40 dB MIN

HIPOT (Isolation Voltage):

1500 Vrms

100% OF PRODUCTION TESTED TO COMPLY WITH IEEE 802.3 ISOLATION REQUIREMENT

LED 1

VF (FORWARD VOLTAGE) IF=20mA YELLOW 2.1V TYP.

λD (DOMINANT WAVELENGTH) IF=20mA YELLOW 590nm TYP.

LED 2

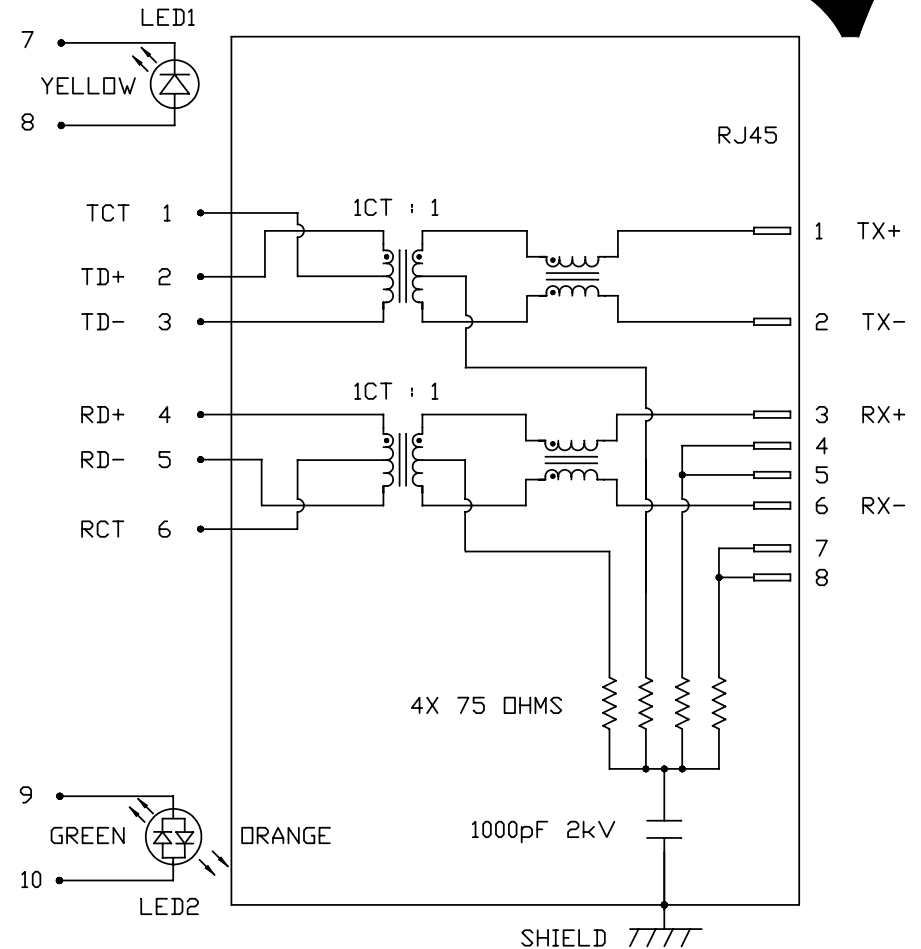
VF (FORWARD VOLTAGE) IF=20mA GREEN 2.2V TYP.

ORANGE 2.0V TYP.

λD (DOMINANT WAVELENGTH) IF=20mA GREEN 565nm TYP.

ORANGE 610nm TYP.

SCHEMATIC



USB ELECTRICAL:

INSULATION RESISTANCE: 1000 MEGA Ω (MIN)
CONTACT RESISTANCE: 25 MILLI Ω (MAX)
DIELECTRIC WITHSTANDING: 750 VAC

ORIGINATED BY DATE
CHOW WANGCHUNG 06-08-10

DRAWN BY DATE
LEE WEIDE 06-08-10

TITLE
MagJack® Combo
-10/100 AUTO MDIX
WITH SINGLE USB AND LEDS
0821-1X1T-06-F
PATENTED

PART NO. / DRAWING NO.
08211X1T06-F

FILE NAME
08211X1T06-F_B.DWG

STANDARD DIM.
TOL. IN INCH

.X
.XX
.XXX

[] METRIC DIM. AS REFERENCE

UNIT : INCH [mm]

SCALE : N/A

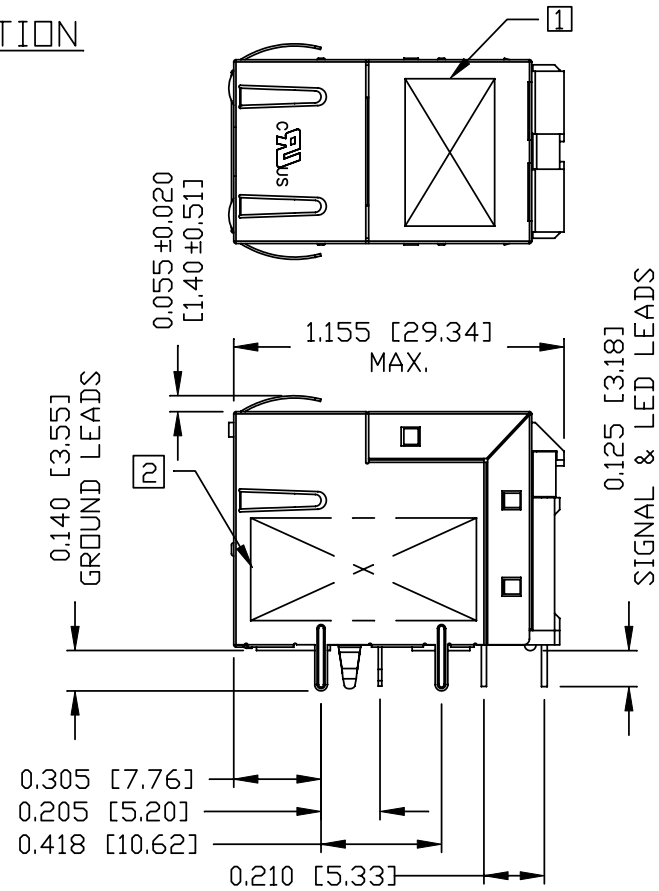
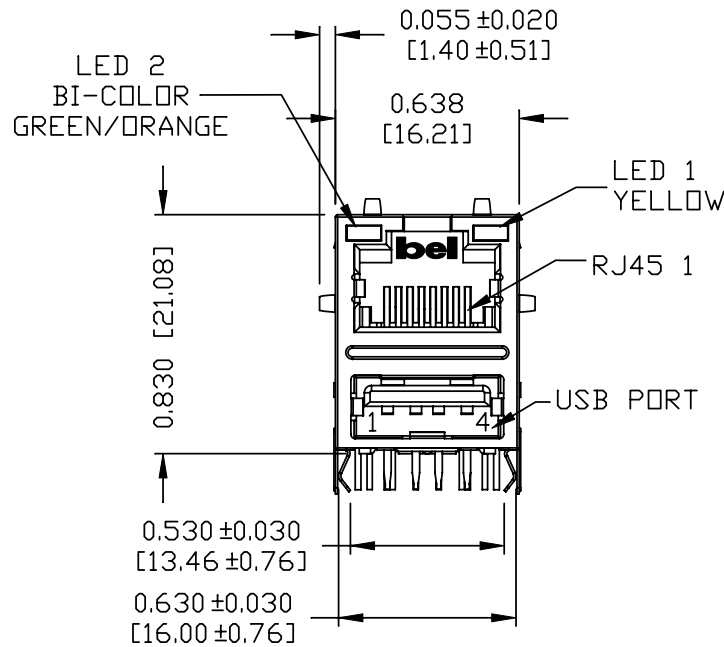
REV. : B
SIZE : A4
PAGE : 2

bel
COMPONENTS FOR A
CONNECTED
PLANET

THE INFORMATION CONTAINED HEREIN IS CONSIDERED "PROPRIETARY" TO BEL FUSE INC. AND SHALL NOT BE COPIED, REPRODUCED OR DISCLOSED WITHOUT THE WRITTEN APPROVAL OF BEL FUSE INC.

MECHANICAL SPECIFICATION

RoHS
2002/95/EC



RJ45 MECHANICAL:

- PLASTIC HOUSING: THERMOPLASTIC PBT
FLAMMABILITY RATING UL 94V-0
- CONTACT PLATING: 50 MICRO-INCH HARD GOLD PLATING
- PINS: TIN-COATED COPPER WIRE, DIA 0.018 INCH.
- METAL SHIELD: LEAD FREE-TIN OR NICKEL PLATED ON COPPER ALLOY.
- 1 MARK PART WITH MFG LOGO, MFG NAME, PART NUMBER, AND DATE CODE.
- 2 MARKING "PATENTED".

UL RECOGNIZED - FILE #E196366 AND E169987.

3. RoHS COMPLIANCE, PER EU DIRECTIVE 2002/95/EC.

USB MECHANICAL:

- MATING FORCE: 35 NEWTONS MAXIMUM
- UNMATING FORCE: 10 NEWTONS MINIMUM
- CONTACT: PROSPHER BRONZE GOLD PLATING ON CONTACT AREA AND TIN ON SOLDER TAIL.
4. JACK CAVITY CONFORMS TO FCC RULES AND REGULATIONS, PART 68 SUBPART F.
5. THE PRODUCT IS PATENTED, THE PATENT NUMBER IS U.S. PAT. 5,736,910.

| | | | | | | | |
|----------------------------|------------------|--|--|-------------------------------|------------------------------|-------------|----------|
| ORIGINATED BY CHEN BILL | DATE 06-08-10 | TITLE MagJack® Combo -10/100 AUTO MDIX WITH SINGLE USB AND LEDS 0821-1X1T-06-F PATENTED | PART NO. / DRAWING NO. 08211X1T06-F | STANDARD DIM. TOL. IN INCH | [] METRIC DIM. AS REFERENCE | | REV. : B |
| | | | | | UNIT : INCH [mm] | SCALE : N/A | |
| DRAWN BY XIAN JIAXIN | DATE 06-08-10 | FILE NAME 08211X1T06-F_B.DWG | .X | .XX | .XXX | ±0.010 | PAGE : 3 |
| | | | | | | | |

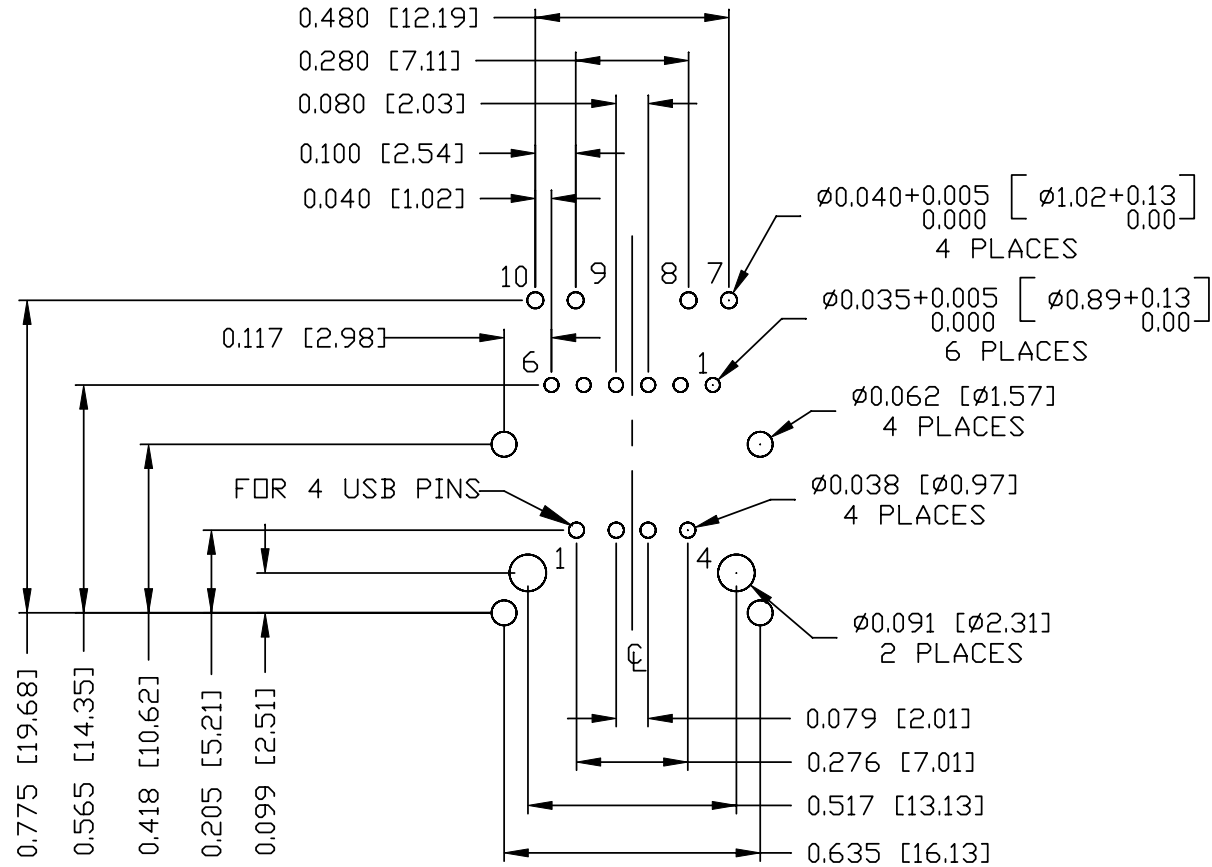


THE INFORMATION CONTAINED HEREIN IS CONSIDERED "PROPRIETARY" TO BEL FUSE INC. AND SHALL NOT BE COPIED, REPRODUCED OR DISCLOSED WITHOUT THE WRITTEN APPROVAL OF BEL FUSE INC.

RoHS
2002/95/EC



RECOMMENDED PCB FOOTPRINT
COMPONENT SIDE VIEW



| | | | | | | | | |
|----------------------------|------------------|--|--|--|-------------------------------|-------------|------------------------------|----------|
| ORIGINATED BY CHEN BILL | DATE 06-08-10 | TITLE MagJack® Combo -10/100 AUTO MDIX WITH SINGLE USB AND LEDS 0821-1X1T-06-F PATENTED | PART NO. / DRAWING NO. 08211X1T06-F | | STANDARD DIM. TOL. IN INCH | | [] METRIC DIM. AS REFERENCE | |
| | | | FILE NAME 08211X1T06-F_B.DWG | | .X .XX .XXX | ± 0.004 | UNIT : INCH [mm] | REV. : B |
| DRAWN BY XIAN JIAXIN | DATE 06-08-10 | | | | | SCALE : N/A | SIZE : A4 | PAGE : 4 |

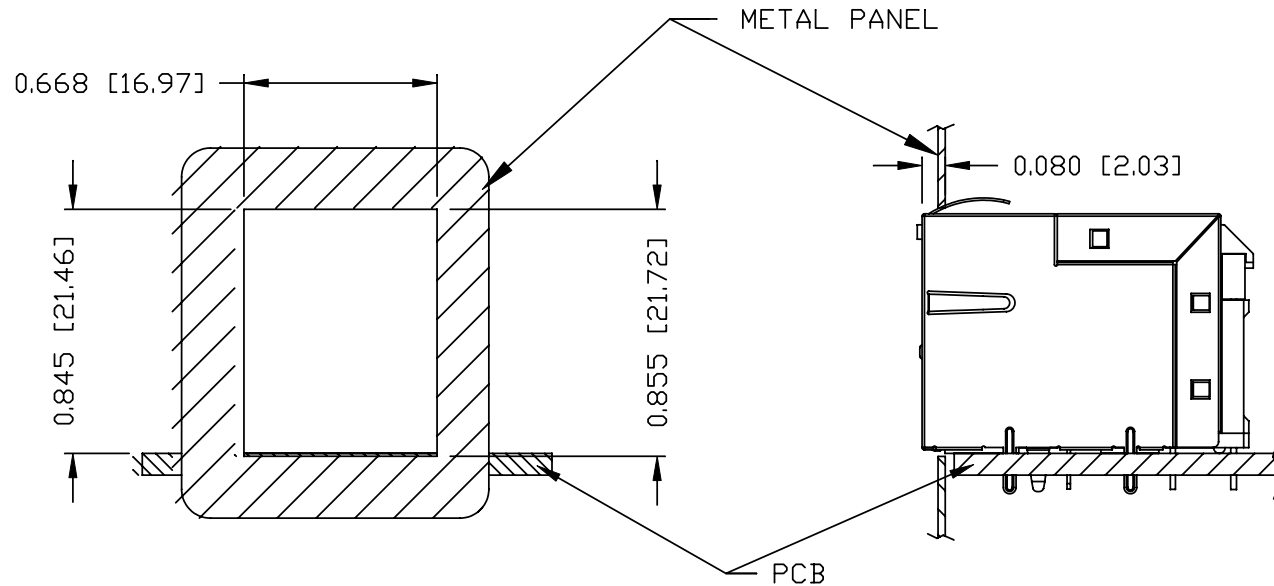


THE INFORMATION CONTAINED HEREIN IS CONSIDERED "PROPRIETARY" TO BEL FUSE INC. AND SHALL NOT BE COPIED, REPRODUCED OR DISCLOSED WITHOUT THE WRITTEN APPROVAL OF BEL FUSE INC.

RoHS
2002/95/EC



SUGGESTED PANEL OPENING



NOTES:

THE DISTANCE OF PANEL INSIDE SURFACE RELATIVE TO FRONT SURFACE OF PART IS ONLY A SUGGESTION. IN CASE THIS DISTANCE IS DIFFERENT, THE REQUIRED PANEL OPENING DIMENSIONS CHANGE ACCORDINGLY.

PACKING INFORMATION

PACKING TRAY : 0200-0148-48 (TOP)
0200-0148-49 (BOTTOM)

PACKING QUANTITY : 60 PCS FINISHED GOODS PER TRAY
8 TRAYS (480 PCS FINISHED GOODS) PER CARTON BOX

NOTE : CARDBOARDS ARE PLACED BETWEEN LAYERS OF PACKING TRAY INSIDE CARTON BOX
(INCLUDE THE UPPERMOST AND LOWERMOST TRAY)

| | | | | | | | | | |
|----------------------------|------------------|--|--|-------------------------------|--------|------------------------------|-----------|----------|--|
| ORIGINATED BY CHEN BILL | DATE 06-08-10 | TITLE MagJack® Combo -10/100 AUTO MDIX WITH SINGLE USB AND LEDS 0821-1X1T-06-F PATENTED | PART NO. / DRAWING NO. 08211X1T06-F | STANDARD DIM. TOL. IN INCH | | [] METRIC DIM. AS REFERENCE | | REV. : B | bel COMPONENTS FOR A CONNECTED PLANET |
| | | | | .X | | UNIT : INCH [mm] | SIZE : A4 | | |
| DRAWN BY XIAN JIAXIN | DATE 06-08-10 | | FILE NAME 08211X1T06-F_B.DWG | .XX | | SCALE : N/A | | PAGE : 5 | |
| | | | | .XXX | ±0.004 | | | | |