

THE INFORMATION CONTAINED HEREIN IS CONSIDERED "PROPRIETARY" TO BEL FUSE INC. AND SHALL NOT BE COPIED, REPRODUCED OR DISCLOSED WITHOUT THE WRITTEN APPROVAL OF BEL FUSE INC.

LED1 POLARITY			LED2 POLARITY		
PIN 13	PIN 14	COLOR	PIN 15	PIN 16	COLOR
-	+	GREEN	-	+	YELLOW

**ELECTRICAL CHARACTERISTICS @ 25°C**

**TURNS RATIO**

TP1	1CT : 1CT ±2%
TP2	1CT : 1CT ±2%
TP3	1CT : 1CT ±2%
TP4	1CT : 1CT ±2%

**DCL @ 100kHz/100mVRMS**

8mA DC BIAS 350µH MIN.

**INS. LOSS**

0.1MHz TO 1MHz	-1.1 dB MAX
1MHz TO 65MHz	-0.5 dB MAX
65MHz TO 100MHz	-0.8 dB MAX
100MHz TO 125MHz	-1.2 dB MAX

**RET. LOSS (MIN)**

0.5MHz-40MHz	-18 dB
40MHz-100MHz	-12+20LOG(f/80MHz) dB

**CROSS TALK**

100kHz - 100MHz -33+20LOG(f/100MHz)dB MIN

**CM TO CM REJ**

100kHz - 100MHz -30 dB MIN

**CM TO DM REJ**

100kHz - 100MHz -35 dB MIN

HIPOT (Isolation Voltage): 1500 Vrms or 2250 VDC

**LED 1**

VF (FORWARD VOLTAGE) IF=20mA GREEN 2.2V TYP.

λD (DOMINANT WAVELENGTH) IF=20mA GREEN 565nm TYP.

**LED 2**

VF (FORWARD VOLTAGE) IF=20mA YELLOW 2.1V TYP.

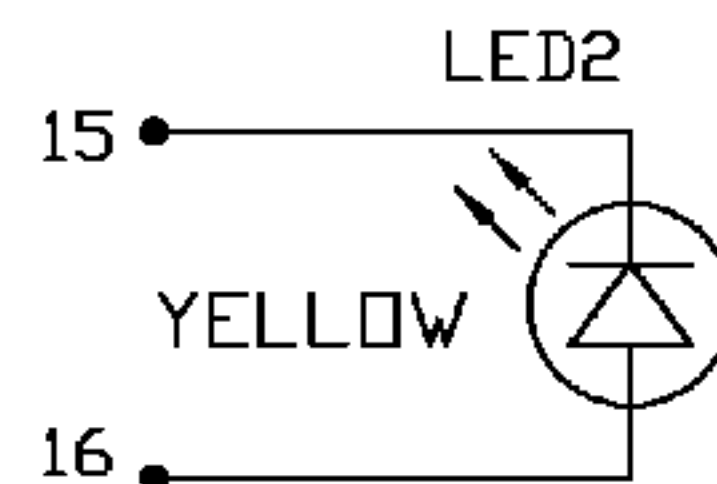
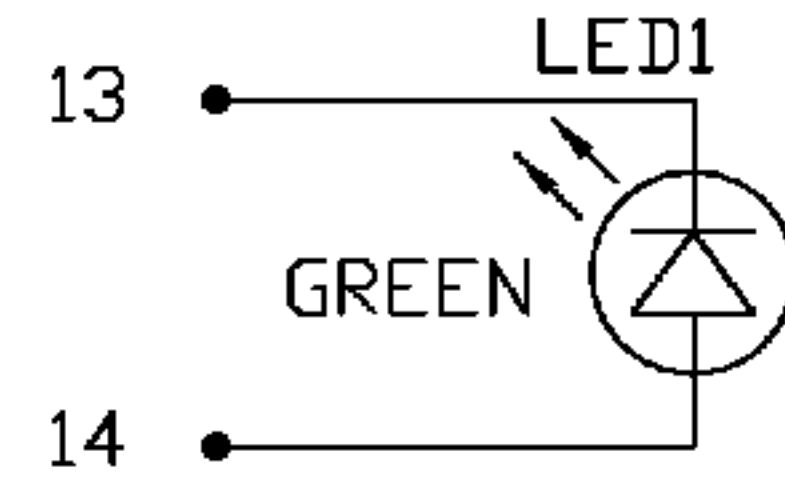
λD (DOMINANT WAVELENGTH) IF=20mA YELLOW 590nm TYP.

**USB ELECTRICAL:**

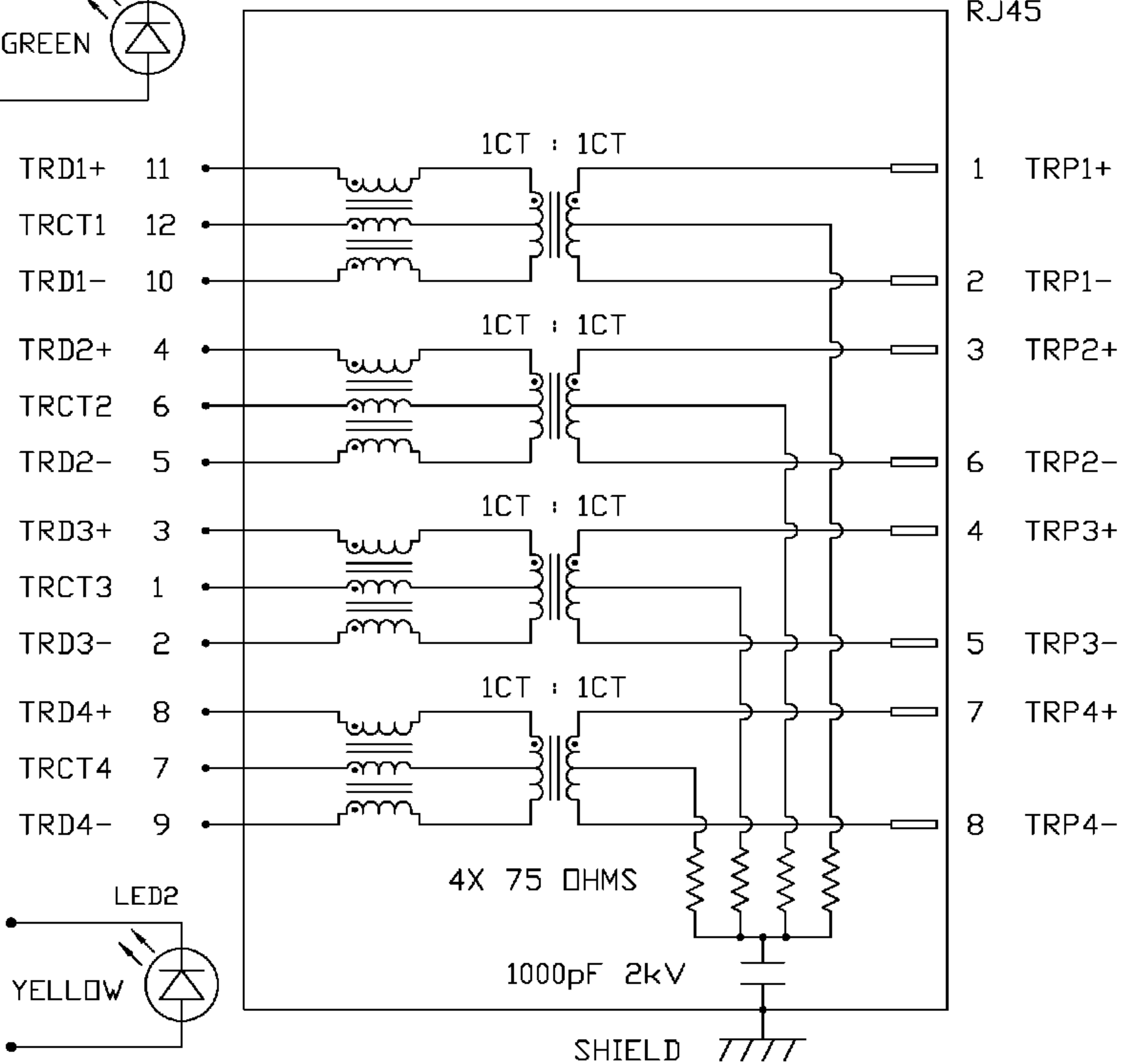
INSULATION RESISTANCE: 1000 MEGA (MIN)

CONTACT RESISTANCE: 25 MILLI (MAX)

DIELECTRIC WITHSTANDING: 750 VAC



**SCHEMATIC**

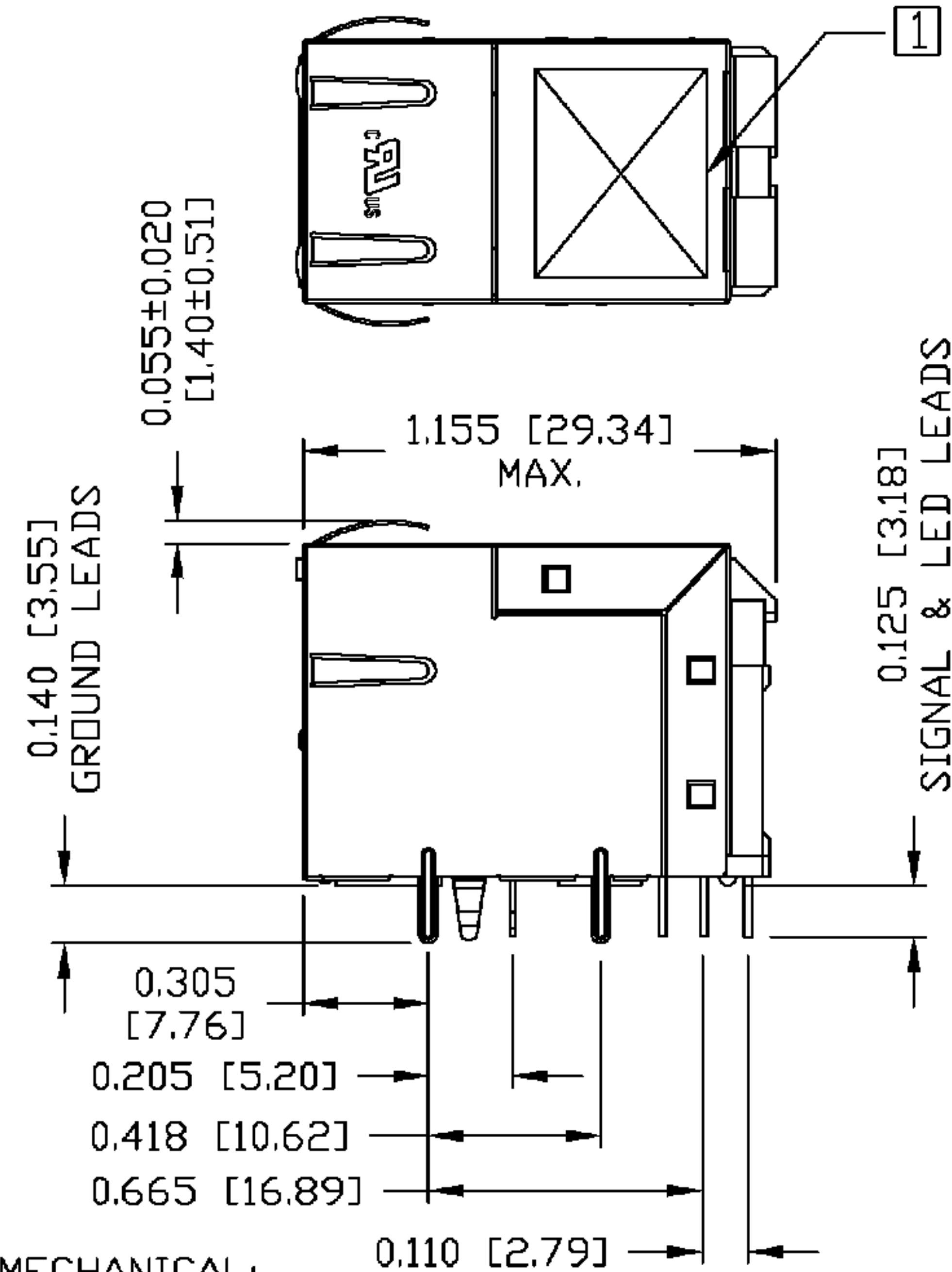
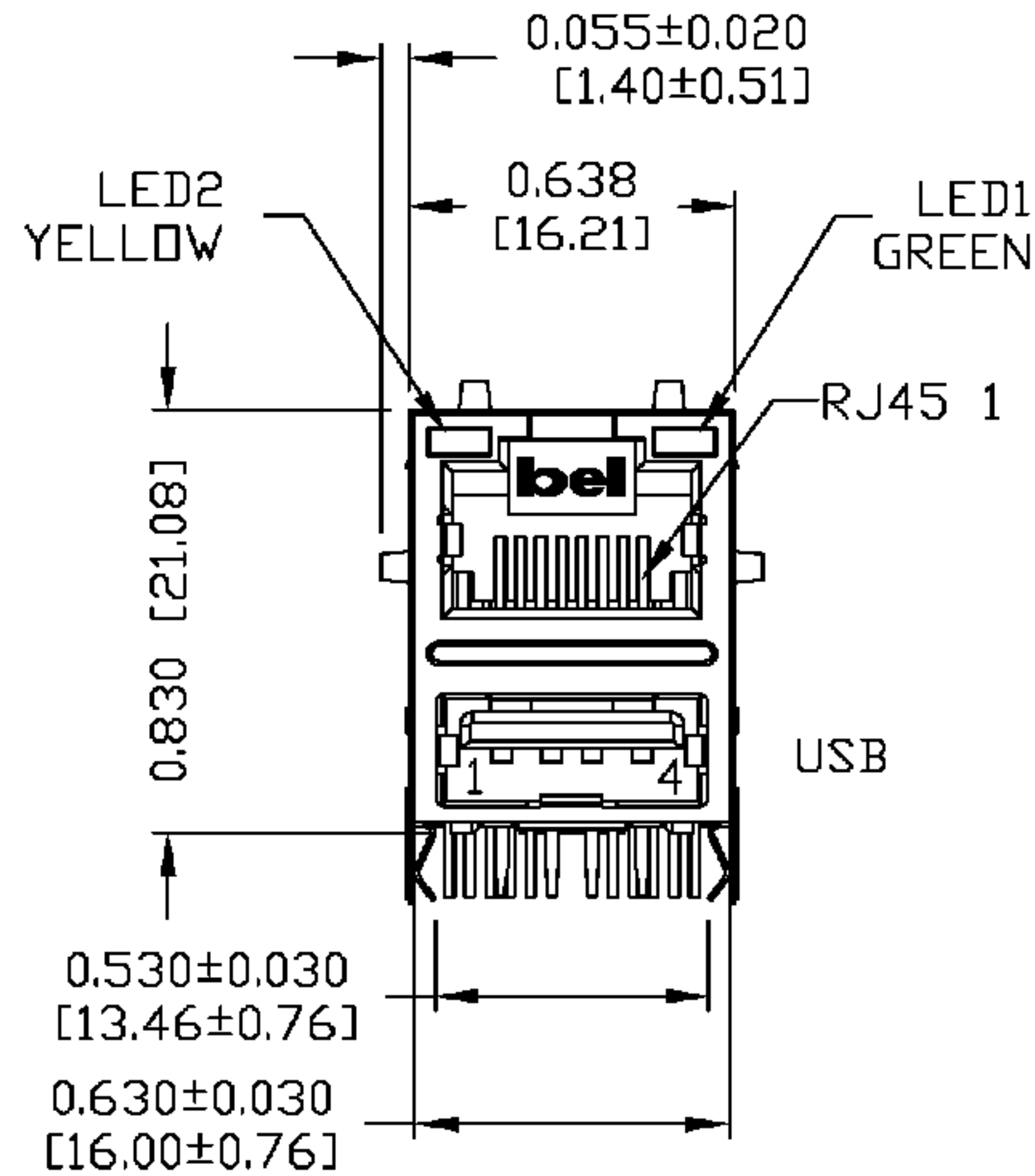


ORIGINATED BY	DATE	TITLE	PART NO. / DRAWING NO.	STANDARD DIM. TOL. IN INCH	[ ] METRIC DIM. AS REFERENCE
CHUNG	09-21-06	gigabit MagJack® Combo (single USB, 8 cores)	0821-1D1T-43	.X	UNIT : INCH [mm] REV. : A
DRAWN BY	DATE		FILE NAME	.XX	SCALE : N/A SIZE : A4
DE	09-21-06		08211D1T43A.DWG	.XXX	PAGE : 2



THE INFORMATION CONTAINED HEREIN IS CONSIDERED "PROPRIETARY" TO BEL FUSE INC. AND SHALL NOT BE COPIED, REPRODUCED OR DISCLOSED WITHOUT THE WRITTEN APPROVAL OF BEL FUSE INC.

MECHANICAL SPECIFICATION



RJ45 MECHCNICAL:


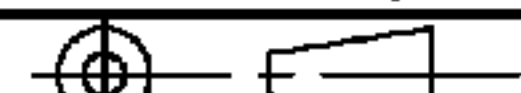
PLASTIC HOUSING: THERMOPLASTIC PBT  
 FLAMMABILITY RATING UL 94V-0  
 CONTACT PLATING: 30 MICRO-INCH HARD GOLD PLATING  
 PINS: TIN-COATED COPPER WIRE, DIA 0.018 INCH.  
 METAL SHIELD: NICKEL PLATED ON COPPER ALLOY.  
 (ALL GROUND LEADS ARE SOLDER DIPPED)  
 JACK CAVITY CONFORMS TO FCC RULES AND REGULATIONS.

USB MECHANICAL:

MATING FORCE: 35 NEWTONS MAXIMUM  
 UNMATING FORCE: 10 NEWTONS MINIMUM  
 CONTACT: PROSPHER BRONZE,  
 30 MICRO-INCH GOLD PLATING ON CONTACT AREA  
 AND LEAD-FREE TIN ON SOLDER TAIL.

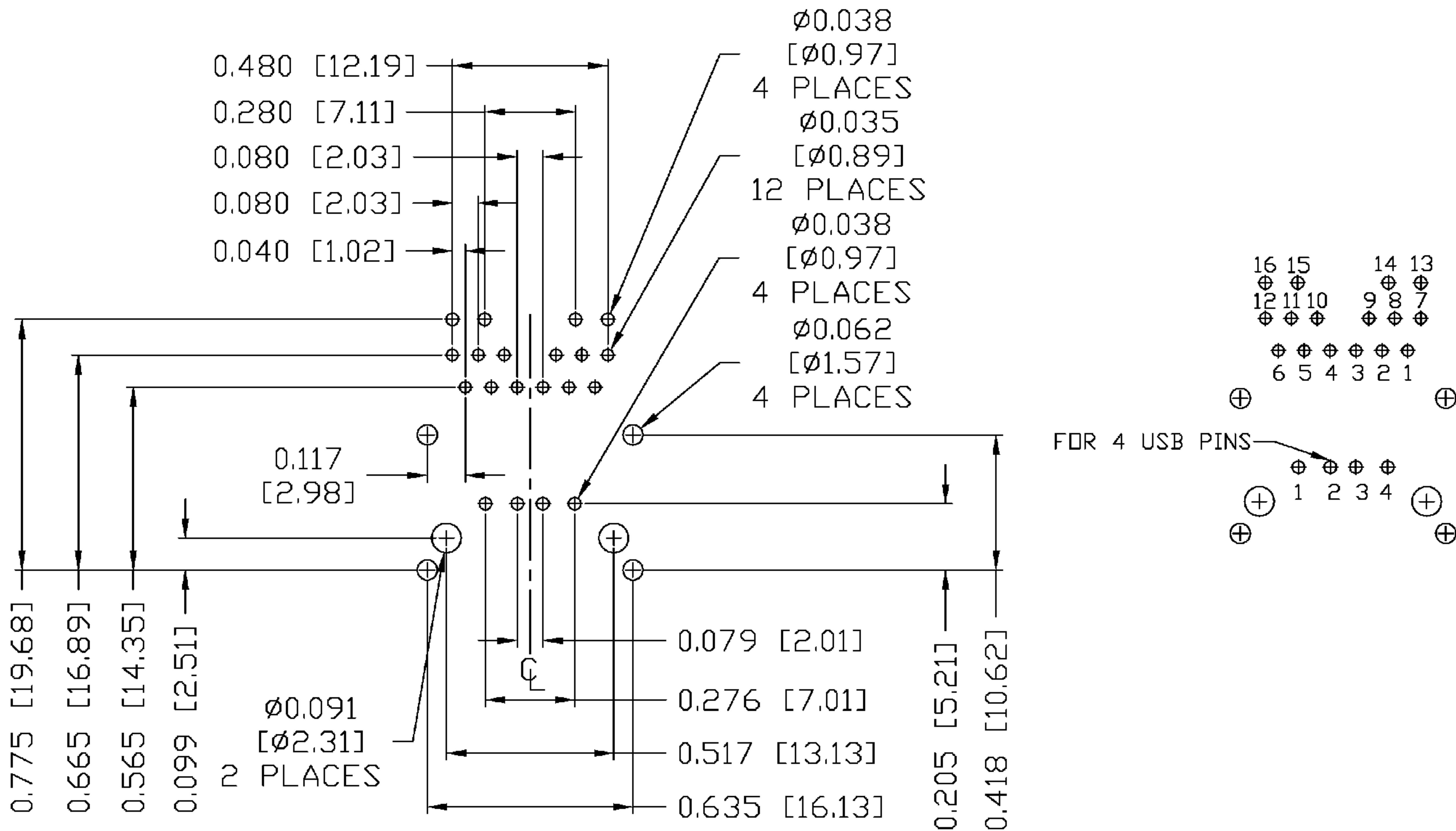
1] MARK PART WITH MFG. LOGO, MFG. NAME, PART NUMBER, AND DATE CODE.

 UL RECOGNIZED - FILE #E196366 AND E169987.

ORIGINATED BY	DATE	TITLE	PART NO. / DRAWING NO.	STANDARD DIM. TOL. IN INCH	[ ] METRIC DIM. AS REFERENCE	 COMPONENTS FOR A CONNECTED PLANET	
QIN	09-21-06	gigabit MagJack® Combo (single USB, 8 cores)	0821-1D1T-43	.X	UNIT : INCH [mm]		REV. : A
DRAWN BY	DATE		FILE NAME	.XX	SCALE : N/A		SIZE : A4
TING	09-21-06	08211D1T43A.DWG	.XXX	±0.010	 PAGE : 3		

THE INFORMATION CONTAINED HEREIN IS CONSIDERED "PROPRIETARY" TO BEL FUSE INC. AND SHALL NOT BE COPIED, REPRODUCED OR DISCLOSED WITHOUT THE WRITTEN APPROVAL OF BEL FUSE INC.

RECOMMENDED PCB FOOTPRINT  
COMPONENT SIDE VIEW

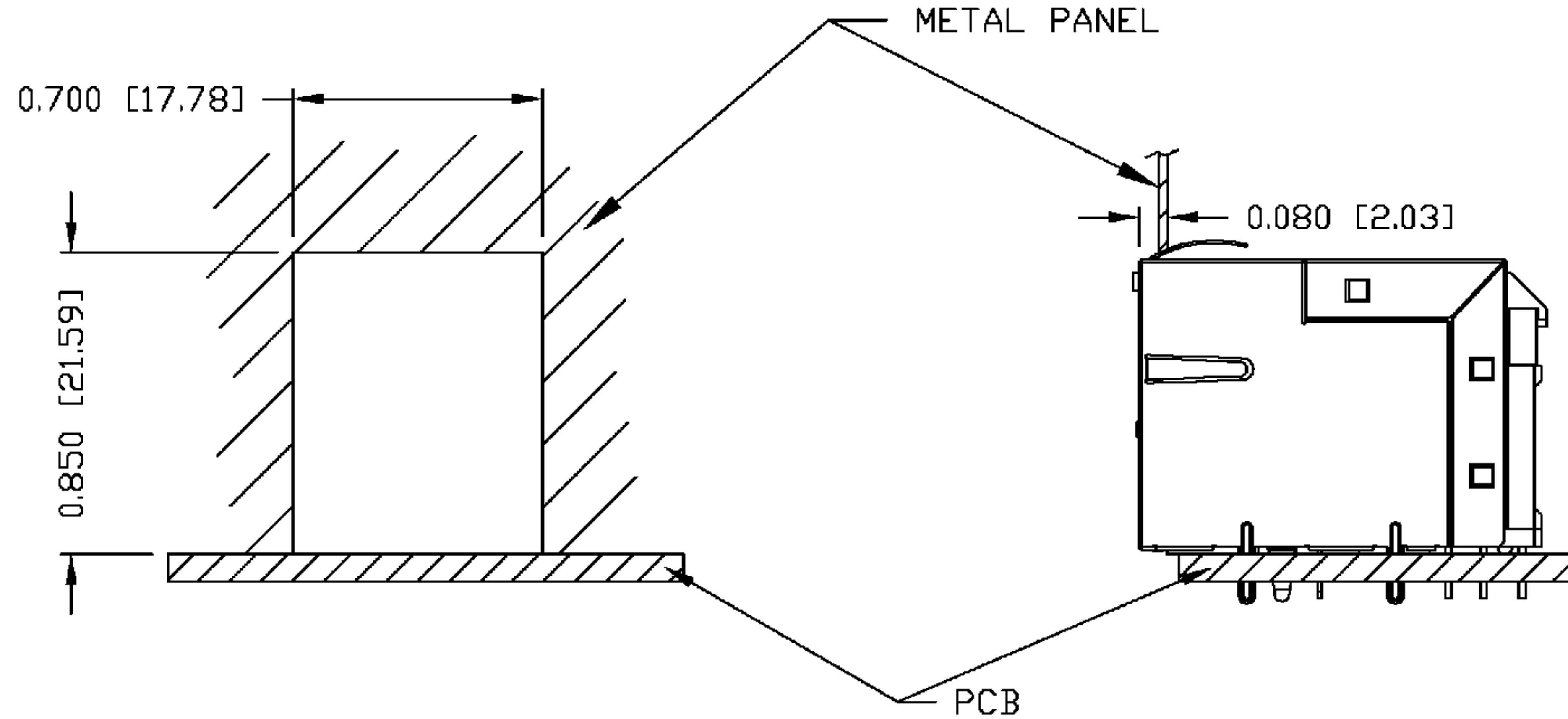


ORIGINATED BY QIN	DATE 09-21-06	TITLE gigabit MagJack® Combo (single USB, 8 cores)	PART NO. / DRAWING NO. 0821-1D1T-43	STANDARD DIM. TOL. IN INCH	[ ] METRIC DIM. AS REFERENCE	
DRAWN BY TING	DATE 09-21-06		FILE NAME 08211D1T43A.DWG	.X .XX .XXX	UNIT : INCH [mm] SCALE : N/A	REV. : A SIZE : A4 PAGE : 4



THE INFORMATION CONTAINED HEREIN IS CONSIDERED "PROPRIETARY" TO BEL FUSE INC. AND SHALL NOT BE COPIED, REPRODUCED OR DISCLOSED WITHOUT THE WRITTEN APPROVAL OF BEL FUSE INC.

SUGGESTED PANEL OPENING



NOTES:


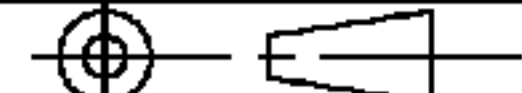
THE DISTANCE OF PANEL INSIDE SURFACE RELATIVE TO FRONT SURFACE OF PART IS ONLY A SUGGESTION. IN CASE THIS DISTANCE IS DIFFERENT, THE REQUIRED PANEL OPENING DIMENSIONS CHANGE ACCORDINGLY.

PACKING INFORMATION

PACKING TRAY : 0200-0148-48 (TOP)  
0200-0148-49 (BOTTOM)

PACKING QUANTITY : 60 PCS FINISHED GOODS PER TRAY  
8 TRAYS (480 PCS FINISHED GOODS) PER CARTON BOX

NOTE : CARDBOARDS ARE PLACED BETWEEN LAYERS OF PACKING TRAY INSIDE CARTON BOX  
(INCLUDE THE UPPERMOST AND LOWERMOST TRAY)

ORIGINATED BY QIN	DATE 09-21-06	TITLE gigabit MagJack® Combo (single USB, 8 cores)	PART NO. / DRAWING NO. 0821-1D1T-43	STANDARD DIM. TOL. IN INCH		[ ] METRIC DIM. AS REFERENCE		 COMPONENTS FOR A CONNECTED PLANET
	DRAWN BY TING			DATE 09-21-06	FILE NAME 08211D1T43A.DWG	.X		
				.XX		SCALE : N/A	SIZE : A4	
				.XXX	±0.004		PAGE : 5	