

THE INFORMATION CONTAINED HEREIN IS CONSIDERED "PROPRIETARY" TO BEL FUSE INC. AND SHALL NOT BE COPIED, REPRODUCED OR DISCLOSED WITHOUT THE WRITTEN APPROVAL OF BEL FUSE INC.

RoHS
2002/95/EC



ELECTRICAL CHARACTERISTICS @ 25°C

URNS RATIO

TP1	1CT : 1CT ±2%
TP2	1CT : 1CT ±2%
TP3	1CT : 1CT ±2%
TP4	1CT : 1CT ±2%

QCL @ 100kHz/100mVRMS

8mA DC BIAS 350µH MIN.

INS. LOSS

0.1MHz TO 1MHz	-1.1 dB MAX
1MHz TO 65MHz	-0.5 dB MAX
65MHz TO 100MHz	-0.8 dB MAX
100MHz TO 125MHz	-1.2 dB MAX

RET. LOSS (MIN)

0.5MHz-40MHz	-18 dB
40MHz-100MHz	-12+20LOG(f/80MHz) dB

CROSS TALK

100kHz - 100MHz -33+20LOG(f/100MHz)dB MIN

CM TO CM REJ

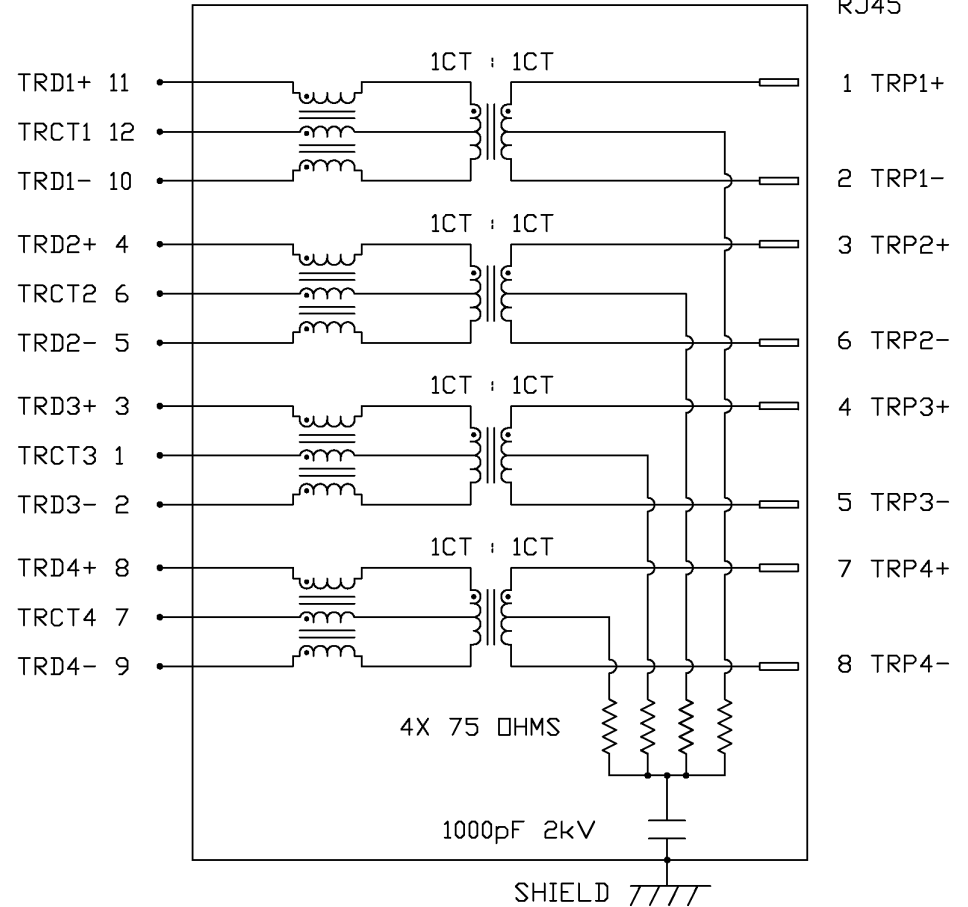
100kHz - 100MHz -30 dB MIN

CM TO DM REJ

100kHz - 100MHz -35 dB MIN

HIPOT (Isolation Voltage): 1500 Vrms or 2250VDC

SCHEMATIC

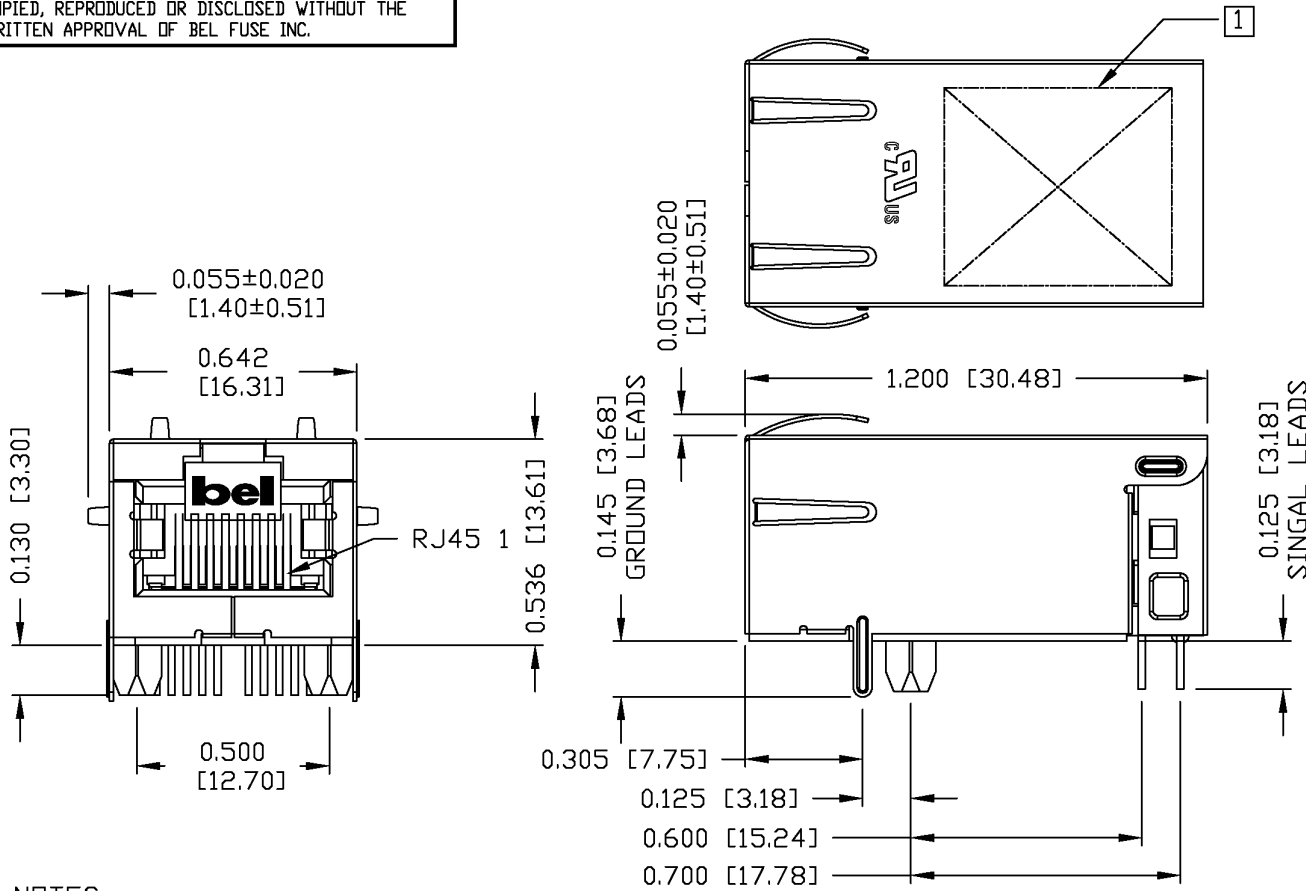


RJ45

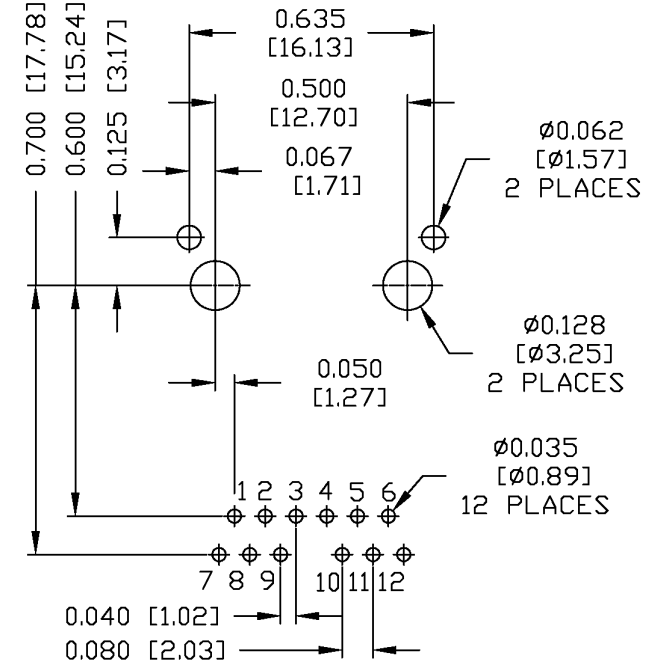
ORIGINATED BY CHUNG	DATE 08-17-06	TITLE gigabit MagJack® (8 Cores, Tab Up, w/o LED) 0816-1X1T-43-F	PART NO. / DRAWING NO. 08161X1T43-F		STANDARD DIM. TOL. IN INCH		[] METRIC DIM. AS REFERENCE		bel COMPONENTS FOR A CONNECTED PLANET
	DRAWN BY DE		DATE 08-17-06	FILE NAME 08161X1T43-FA.DWG	.X .XX .XXX	UNIT : INCH [mm] SCALE : N/A	REV. : A SIZE : A4 PAGE : 2		

THE INFORMATION CONTAINED HEREIN IS CONSIDERED "PROPRIETARY" TO BEL FUSE INC. AND SHALL NOT BE COPIED, REPRODUCED OR DISCLOSED WITHOUT THE WRITTEN APPROVAL OF BEL FUSE INC.

MECHANICAL SPECIFICATION



RECOMMENDED PCB FOOTPRINT COMPONENT SIDE VIEW



NOTES:
 PLASTIC HOUSING: THERMOPLASTIC PA 4/6
 FLAMMABILITY RATING UL 94V-0
 CONTACTS: 50 MICRO-INCH HARD GOLD PLATING
 OUTPUT PINS: TIN-COATED COPPER WIRE, DIA 0.018 INCH.
 METAL SHIELD: NICKEL PLATED ON COPPER ALLOY.
 (ALL GROUND LEADS ARE SOLDER DIPPED)

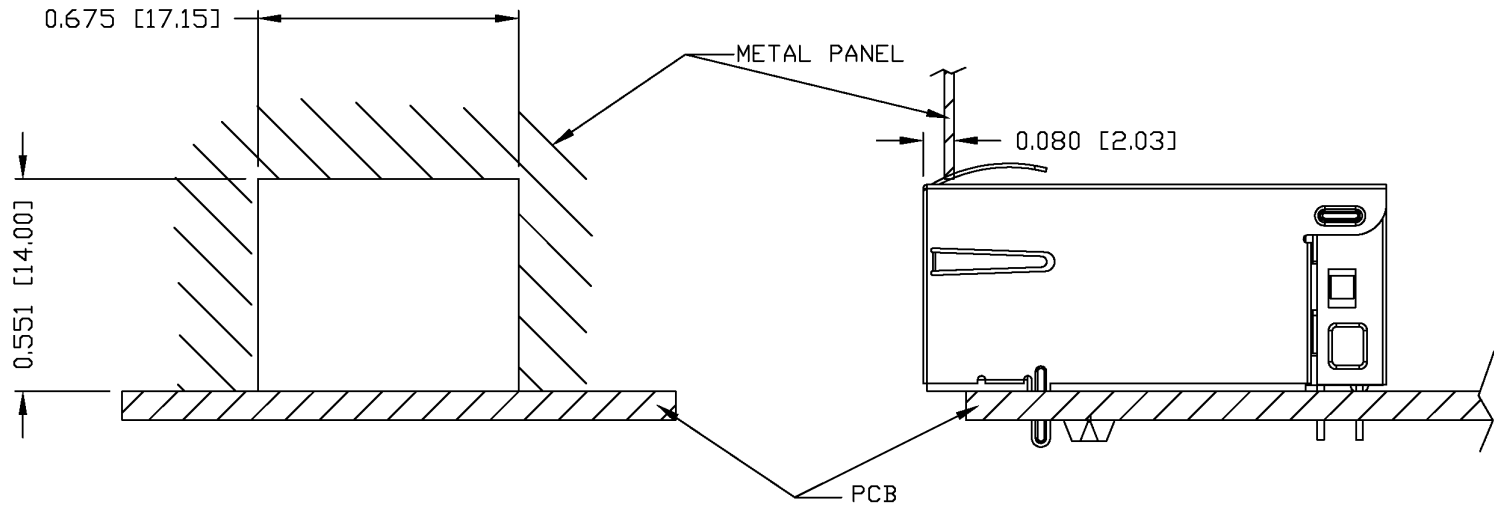
1. MARK PART WITH MFG LOGO, MFG NAME, PART NUMBER, AND DATE CODE.
 UL US UL RECOGNIZED - FILE #E196366 AND E169987.
 RoHS COMPLIANCE, PER EU DIRECTIVE 2002/95/EC.
 JACK CAVITY CONFORMS TO FCC RULES AND REGULATIONS.

ORIGINATED BY QIN	DATE 08-17-06	TITLE gigabit MagJack® (8 Cores, Tab Up, w/o LED) 0816-1X1T-43-F	PART NO. / DRAWING NO. 08161X1T43-F	STANDARD DIM. TOL. IN INCH	[] METRIC DIM. AS REFERENCE	 COMPONENTS FOR A CONNECTED PLANET
DRAWN BY TING	DATE 08-17-06		FILE NAME 08161X1T43-FA.DWG	.X .XX .XXX	UNIT : INCH [mm] SCALE : N/A	
				±0.010		

THE INFORMATION CONTAINED HEREIN IS CONSIDERED "PROPRIETARY" TO BEL FUSE INC. AND SHALL NOT BE COPIED, REPRODUCED OR DISCLOSED WITHOUT THE WRITTEN APPROVAL OF BEL FUSE INC.



SUGGESTED PANEL OPENING



NOTE:

THE DISTANCE OF PANEL INSIDE SURFACE RELATIVE TO FRONT SURFACE OF PART IS ONLY A SUGGESTION. IN CASE THIS DISTANCE IS DIFFERENT, THE REQUIRED PANEL OPENING DIMENSIONS CHANGE ACCORDINGLY.

PACKING INFORMATION

PACKING TRAY : 0200-9999-F1(TOP)
0200-9999-F2 (BOTTOM)

PACKING QUANTITY : 40 PCS FINISHED GOODS PER TRAY
10 TRAYS (400 PCS FINISHED GOODS) PER CARTON BOX

NOTE : CARDBOARDS ARE PLACED BETWEEN LAYERS OF PACKING TRAY INSIDE CARTON BOX
(INCLUDE THE UPPERMOST AND LOWERMOST TRAY)

ORIGINATED BY QIN	DATE 08-17-06	TITLE gigabit MagJack® (8 Cores, Tab Up, w/o LED)	PART NO. / DRAWING NO. 08161X1T43-F		STANDARD DIM. TOL. IN INCH		[] METRIC DIM. AS REFERENCE		 COMPONENTS FOR A CONNECTED PLANET
			FILE NAME 08161X1T43-FA.DWG		.X		UNIT : INCH [mm]	REV. : A	
DRAWN BY TING	DATE 08-17-06			.XX		SCALE : N/A	SIZE : A4		
				.XXX	±0.004		PAGE : 4		

DC002(2)032305

This document is electronically generated. This is a controlled copy if used internally