

THE INFORMATION CONTAINED HEREIN IS CONSIDERED "PROPRIETARY" TO BEL FUSE INC. AND SHALL NOT BE COPIED, REPRODUCED OR DISCLOSED WITHOUT THE WRITTEN APPROVAL OF BEL FUSE INC.

ELECTRICAL CHARACTERISTICS @ 25°C

URNS RATIO

| | |
|-----|---------------|
| TP1 | 1CT : 1CT ±2% |
| TP2 | 1CT : 1CT ±2% |
| TP3 | 1CT : 1CT ±2% |
| TP4 | 1CT : 1CT ±2% |

DCL @ 100kHz/100mVRMS

8mA DC BIAS 350µH MIN.

INS. LOSS

| | |
|------------------|-------------|
| 0.1MHz TO 1MHz | -1.1 dB MAX |
| 1MHz TO 65MHz | -0.5 dB MAX |
| 65MHz TO 100MHz | -0.8 dB MAX |
| 100MHz TO 125MHz | -1.2 dB MAX |

RET. LOSS (MIN)

| | |
|--------------|-----------------------|
| 0.5MHz-40MHz | -18 dB |
| 40MHz-100MHz | -12+20LOG(F/80MHz) dB |

CM TO CM REJ

100kHz - 100MHz -30 dB MIN

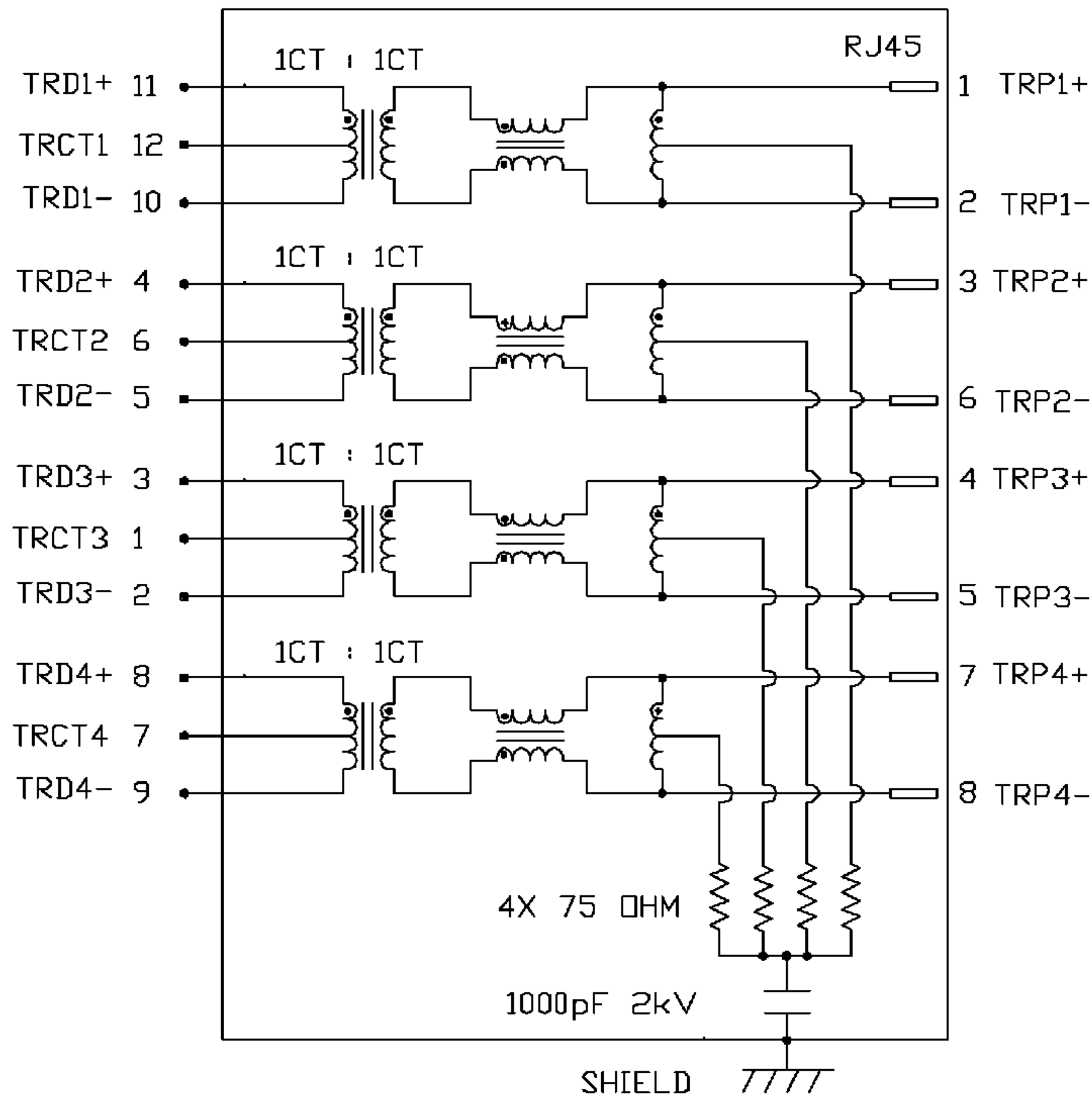
CM TO DM REJ

100kHz - 100MHz -35 dB MIN

HIPOT (Isolation Voltage)

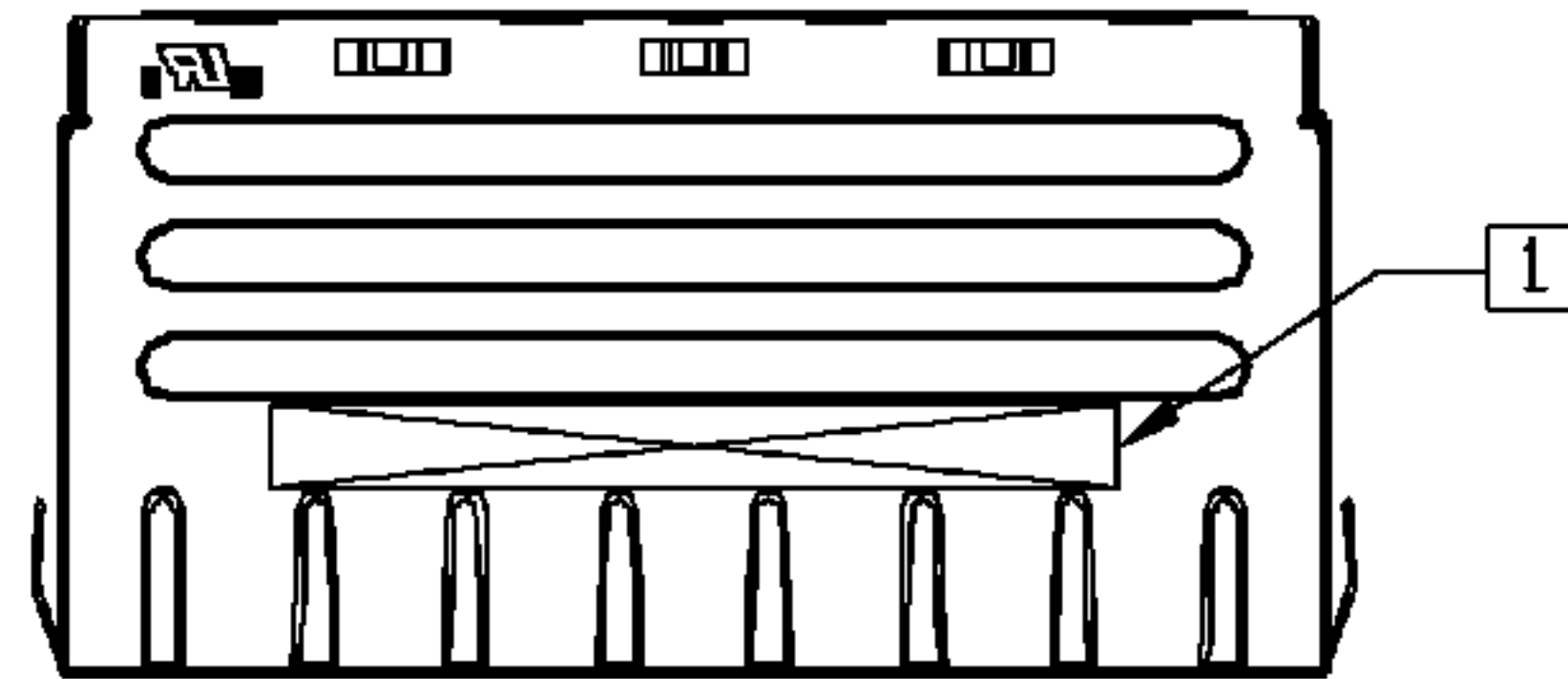
1500 Vrms

SCHEMATIC



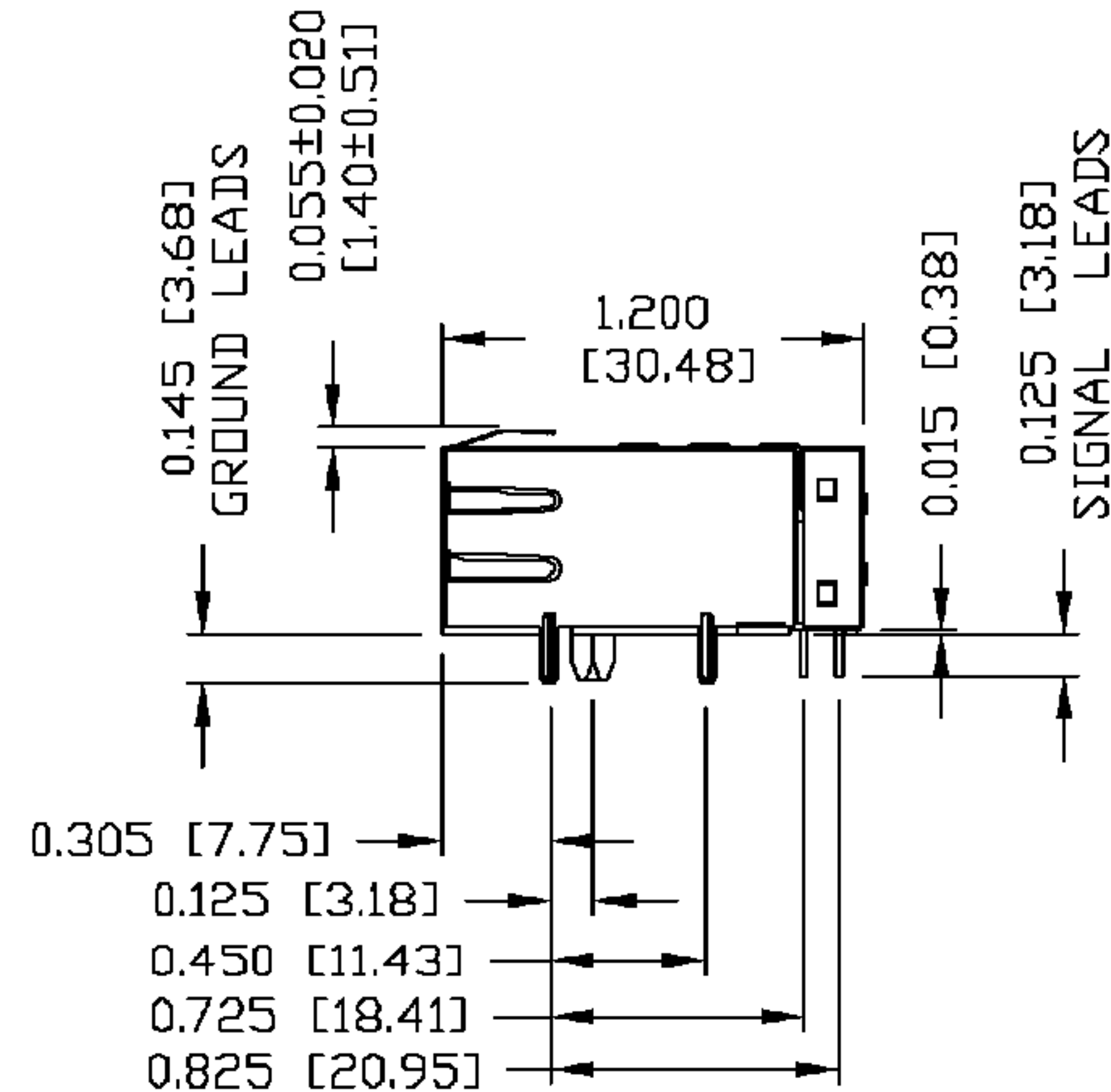
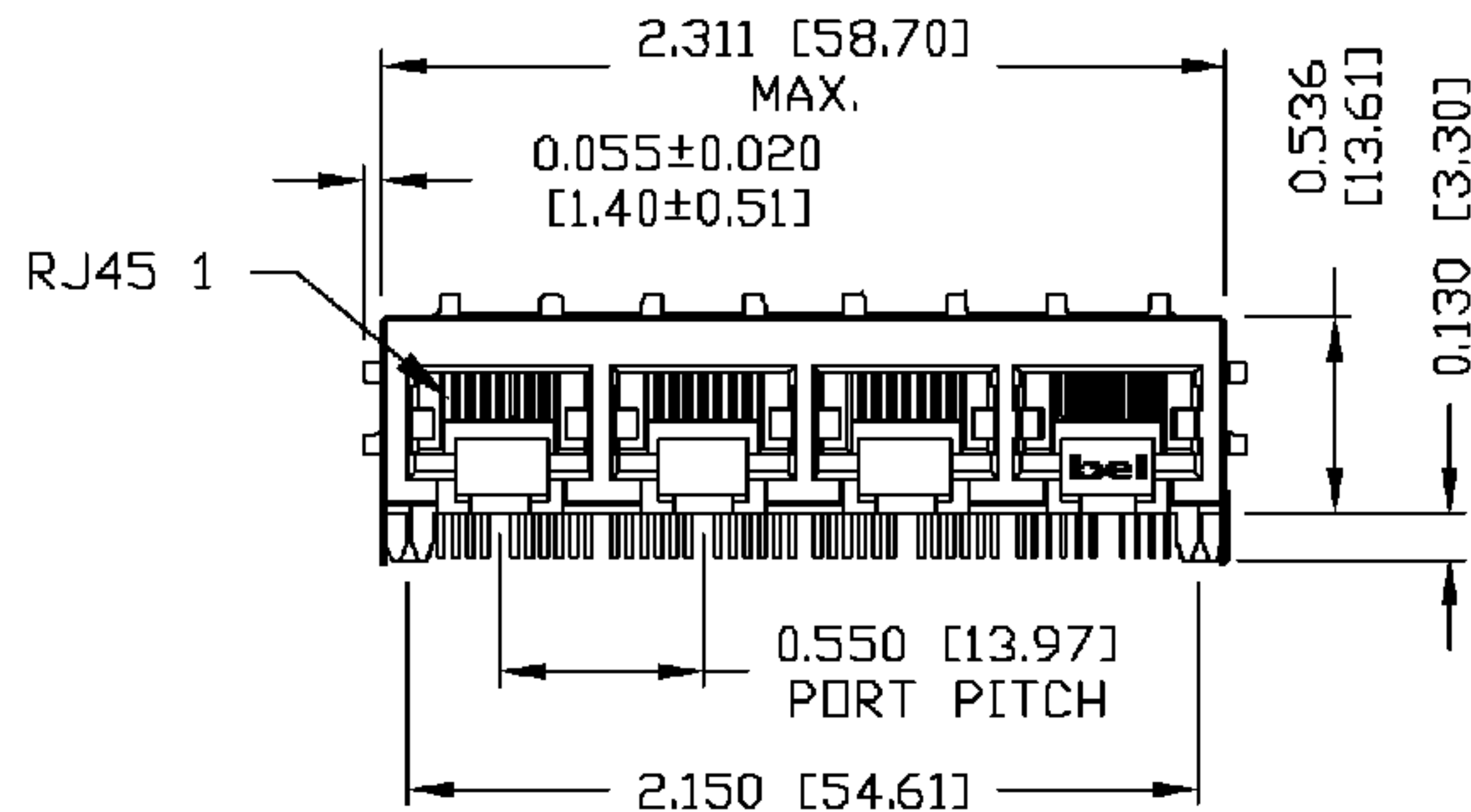
| | | | | | | |
|------------------------|------------------|-------------------------------|----------------------------------------|-------------------------------|------------------------------|---------------------------------------------|
| ORIGINATED BY CHUNG | DATE 11-01-05 | TITLE gigabit MagJack® 1X4 | PART NO. / DRAWING NO. 0813-1X4T-23 | STANDARD DIM. TOL. IN INCH | [] METRIC DIM. AS REFERENCE | COMPONENTS FOR A CONNECTED PLANET |
| DRAWN BY DE | DATE 11-01-05 | | FILE NAME 08131X4T23D.DWG | .X | UNIT : INCH [mm] | |
| | | | .XX | SCALE : N/A | SIZE : A4 | |
| | | | .XXX | | PAGE : 2 | |

THE INFORMATION CONTAINED HEREIN IS CONSIDERED "PROPRIETARY" TO BEL FUSE INC. AND SHALL NOT BE COPIED, REPRODUCED OR DISCLOSED WITHOUT THE WRITTEN APPROVAL OF BEL FUSE INC.



NOTES:

- PLASTIC HOUSING: THERMOPLASTIC PBT
FLAMMABILITY RATING UL 94V-0
 - CONTACTS PLATING: 50 MICRO-INCH HARD GOLD PLATING
 - PINS: TIN-COATED COPPER WIRE, DIA 0.018 INCH.
 - METAL SHIELD: NICKEL PLATED PHOSPHOR BRONZE, 0.010 THICK.
(ALL GROUND LEADS ARE SOLDER DIPPED)
 - [1] MARK PART WITH MFG. LOGO; MFG. NAME; PART NUMBER; DATE CODE.
- UL** US UL RECOGNIZED - FILE #E196366 AND E169987.



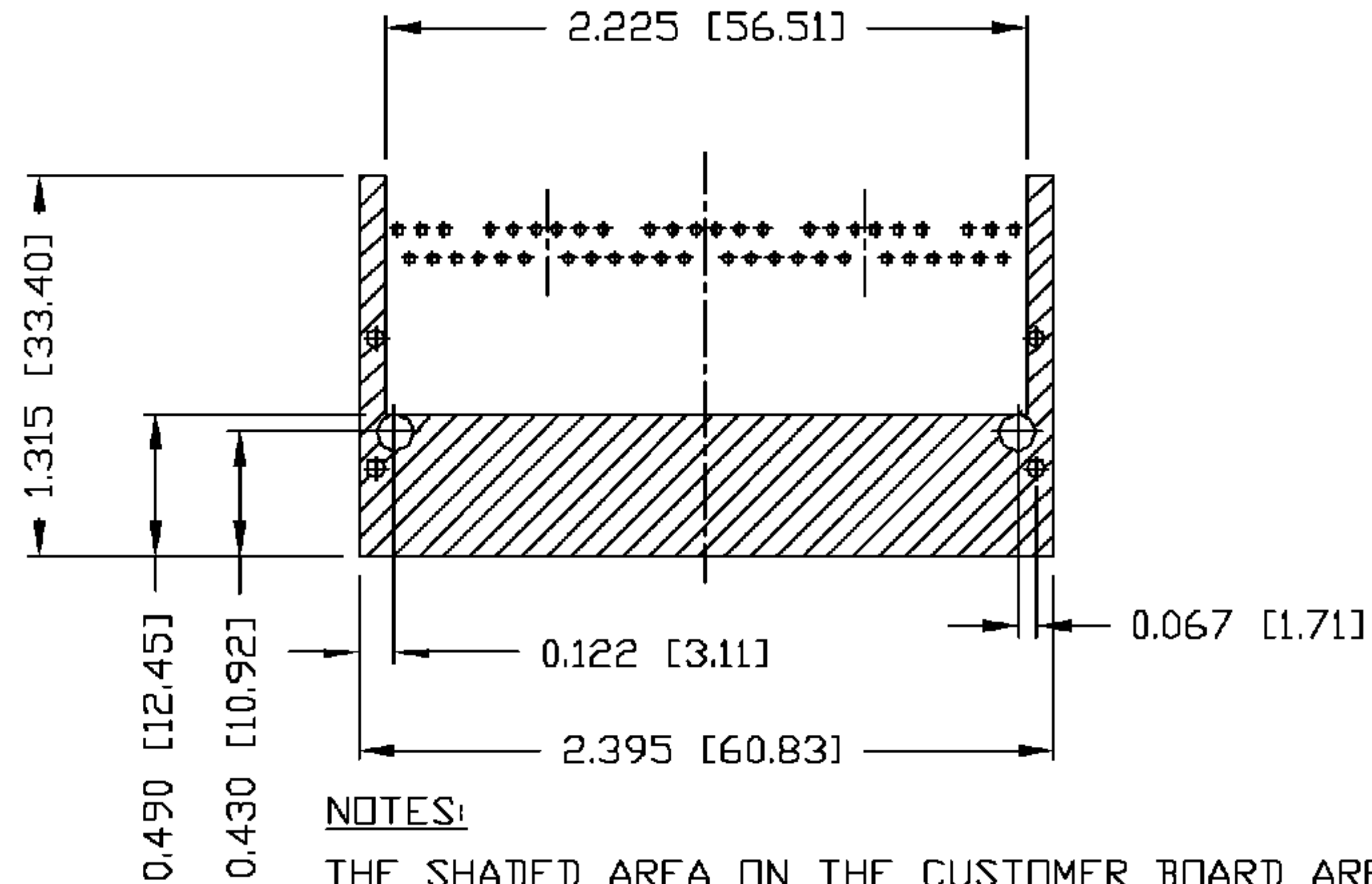
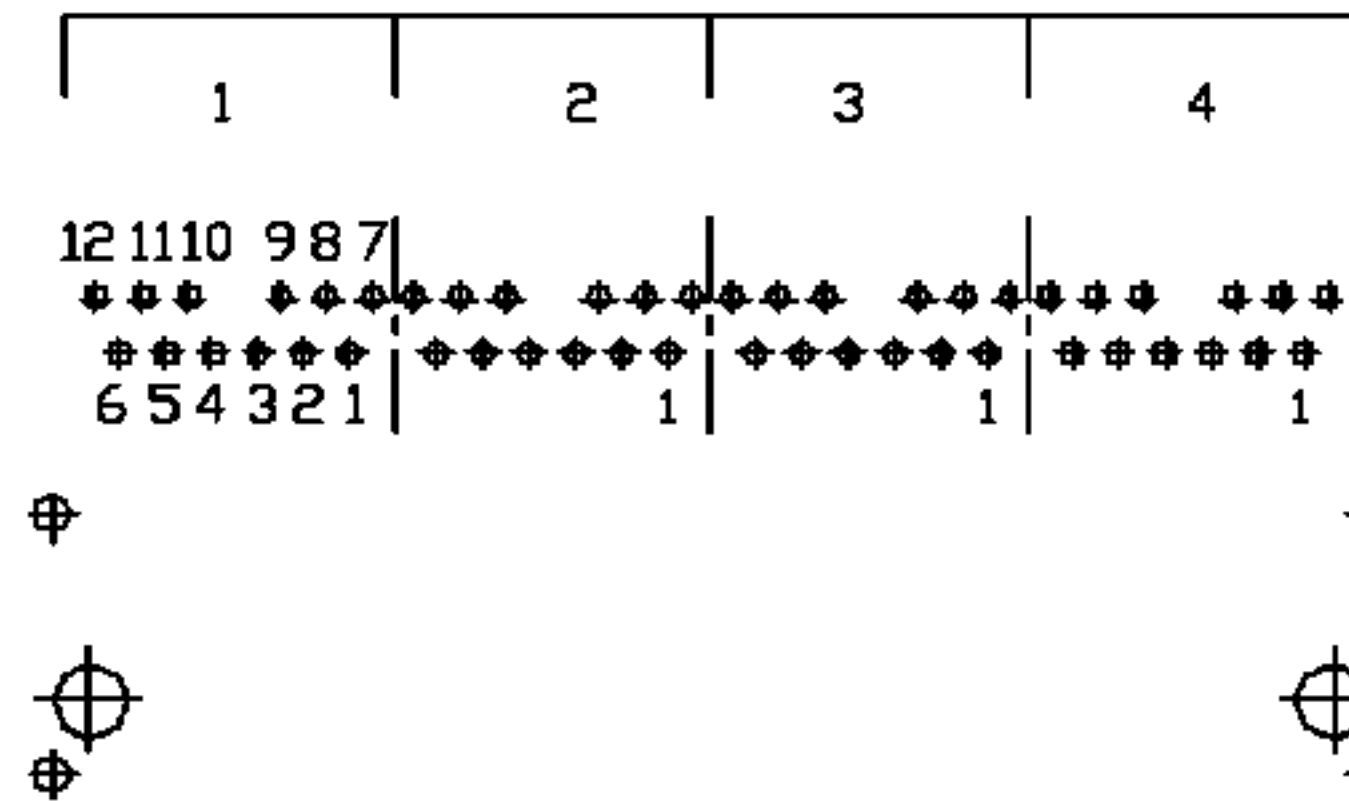
| | | | | | | |
|-----------------------|------------------|-------------------------------|----------------------------------------|-------------------------------|---------------------------------|---------------------------------------------|
| ORIGINATED BY BILL | DATE 11-01-05 | TITLE gigabit MagJack® 1X4 | PART NO. / DRAWING NO. 0813-1X4T-23 | STANDARD DIM. TOL. IN INCH | [] METRIC DIM. AS REFERENCE | COMPONENTS FOR A CONNECTED PLANET |
| DRAWN BY QIN | DATE 11-01-05 | | FILE NAME 08131X4T23D.DWG | .X .XX .XXX | UNIT : INCH [mm] SCALE : N/A | |

THE INFORMATION CONTAINED HEREIN IS CONSIDERED "PROPRIETARY" TO BEL FUSE INC. AND SHALL NOT BE COPIED, REPRODUCED OR DISCLOSED WITHOUT THE WRITTEN APPROVAL OF BEL FUSE INC.

PIN-OUT INFORMATION
(COMPONENT SIDE VIEW)

| | |
|----|-------|
| 12 | TRCT1 |
| 11 | TRD1+ |
| 10 | TRD1- |
| 9 | TRD4- |
| 8 | TRD4+ |
| 7 | TRCT4 |
| 6 | TRCT2 |
| 5 | TRD2- |
| 4 | TRD2+ |
| 3 | TRD3+ |
| 2 | TRD3- |
| 1 | TRCT3 |

PIN AND PORT ASSIGNMENT
(COMPONENT SIDE VIEW)

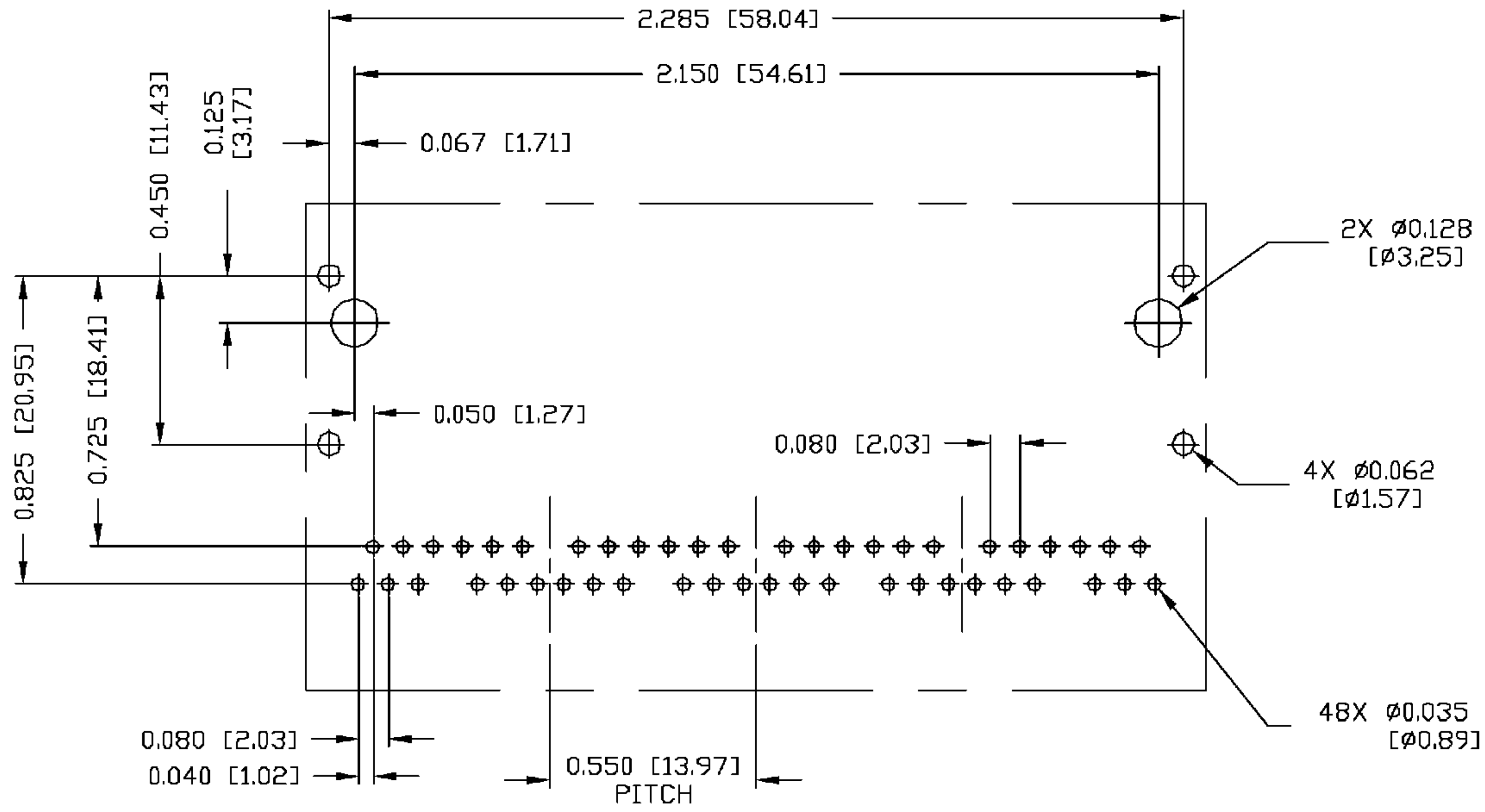


NOTES:

THE SHADED AREA ON THE CUSTOMER BOARD ARE RECOMMENDED TO BE CLEAR OFF ANY VIA HOLE OR COMPONENT PAD.

| | | | | | | |
|------------------------------|-------------------------|--------------------------------------|-----------------------------------------------|-----------------------------------|-------------------------------------|-----------------------------------|
| ORIGINATED BY BILL | DATE 11-01-05 | TITLE glgabit MagJack® 1X4 | PART NO. / DRAWING NO. 0813-1X4T-23 | STANDARD DIM. TOL. IN INCH | [] METRIC DIM. AS REFERENCE | |
| DRAWN BY QIN | DATE 11-01-05 | | FILE NAME 08131X4T23D.DWG | .X .XX .XXX | UNIT : INCH [mm] SCALE : N/A | REV. : D SIZE : A4 PAGE : 4 |
| | | | | ±0.004 | | |

THE INFORMATION CONTAINED HEREIN IS CONSIDERED "PROPRIETARY" TO BEL FUSE INC. AND SHALL NOT BE COPIED, REPRODUCED OR DISCLOSED WITHOUT THE WRITTEN APPROVAL OF BEL FUSE INC.



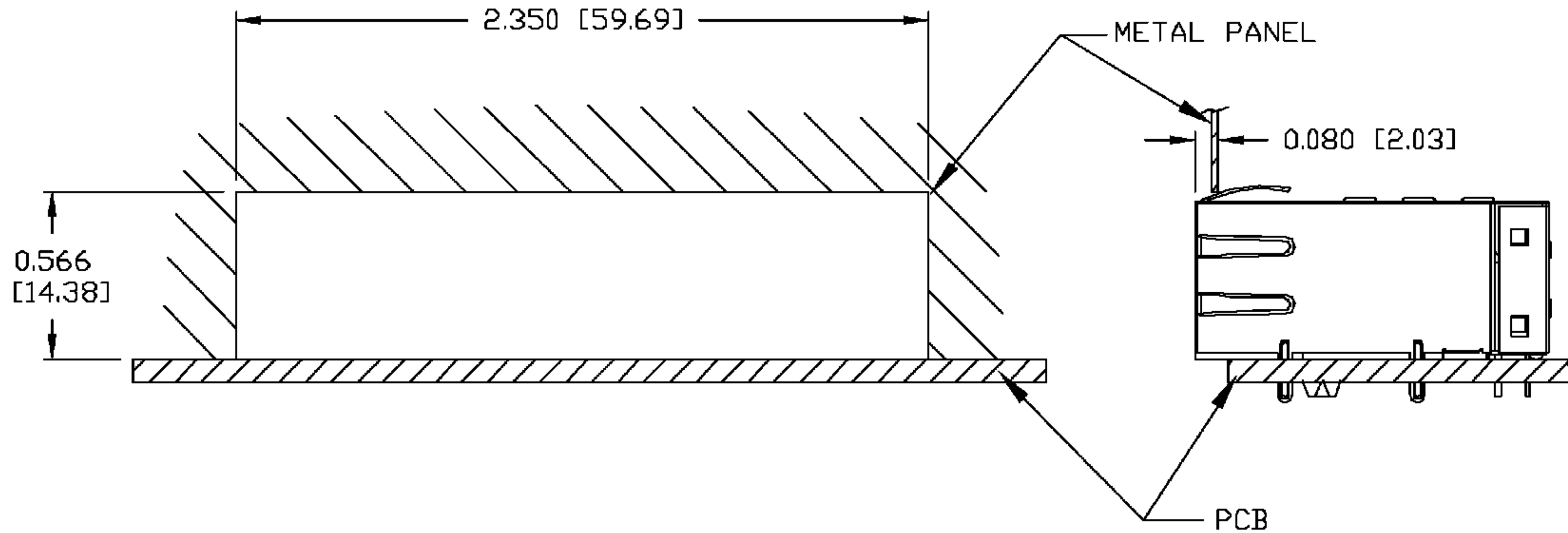
RECOMMENDED PCB FOOTPRINT
(COMPONENT SIDE VIEW)

| | | | | | |
|-----------------------|------------------|-------------------------------|----------------------------------------|-------------------------------|-------------------------------------------|
| ORIGINATED BY BILL | DATE 11-01-05 | TITLE glgabl1 MagJack® 1X4 | PART NO. / DRAWING NO. 0813-1X4T-23 | STANDARD DIM. TOL. IN INCH | [] METRIC DIM. AS REFERENCE |
| DRAWN BY QIN | DATE 11-01-05 | | FILE NAME 08131X4T23D.DWG | .X .XX .XXX | UNIT : INCH [mm] SCALE : N/A ±0.004 |



THE INFORMATION CONTAINED HEREIN IS CONSIDERED "PROPRIETARY" TO BEL FUSE INC. AND SHALL NOT BE COPIED, REPRODUCED OR DISCLOSED WITHOUT THE WRITTEN APPROVAL OF BEL FUSE INC.

SUGGESTED PANEL OPENING



NOTE:

THE DISTANCE OF PANEL INSIDE SURFACE RELATIVE TO FRONT SURFACE OF PART IS ONLY A SUGGESTION. IN CASE THIS DISTANCE IS DIFFERENT, THE REQUIRED PANEL OPENING DIMENSIONS CHANGE ACCORDINGLY.

PACKING INFORMATION


PACKING TRAY: 0200-0148-37 (TOP)

0200-0148-38 (BOTTOM)

PACKING QUANTITY: 20 PCS FINISHED GOODS PER TRAY

8 TRAYS (160 PCS FINISHED GOODS) PER CARTON BOX

NOTE: CARDBOARDS ARE PLACED BETWEEN LAYERS OF PACKING TRAY INSIDE CARTON BOX
(INCLUDE THE UPPERMOST AND LOWERMOST TRAY)

| | | | | | | | |
|------------------------------|-------------------------|------------------------------------------|-----------------------------------------------|--------------------------|-------------------------------------|------------------|-----------------------------------------------------------------------------------------------------------------------------------|
| ORIGINATED BY BILL | DATE 11-01-05 | TITLE gigabit MagJack® 1X4 | PART NO. / DRAWING NO. 0813-1X4T-23 | STANDARD DIM. | [] METRIC DIM. AS REFERENCE | |  COMPONENTS FOR A CONNECTED PLANET |
| DRAWN BY QIN | DATE 11-01-05 | | FILE NAME 08131X4T23D.DWG | TOL. IN INCH | UNIT : INCH [mm] | REV. : D | |
| | | | | .X .XX .XXX ±0.004 | SCALE : N/A | SIZE : A4 | |
| | | | | | | PAGE : 6 | |