

THE INFORMATION CONTAINED HEREIN IS CONSIDERED "PROPRIETARY" TO BEL FUSE INC. AND SHALL NOT BE COPIED, REPRODUCED OR DISCLOSED WITHOUT THE WRITTEN APPROVAL OF BEL FUSE INC.

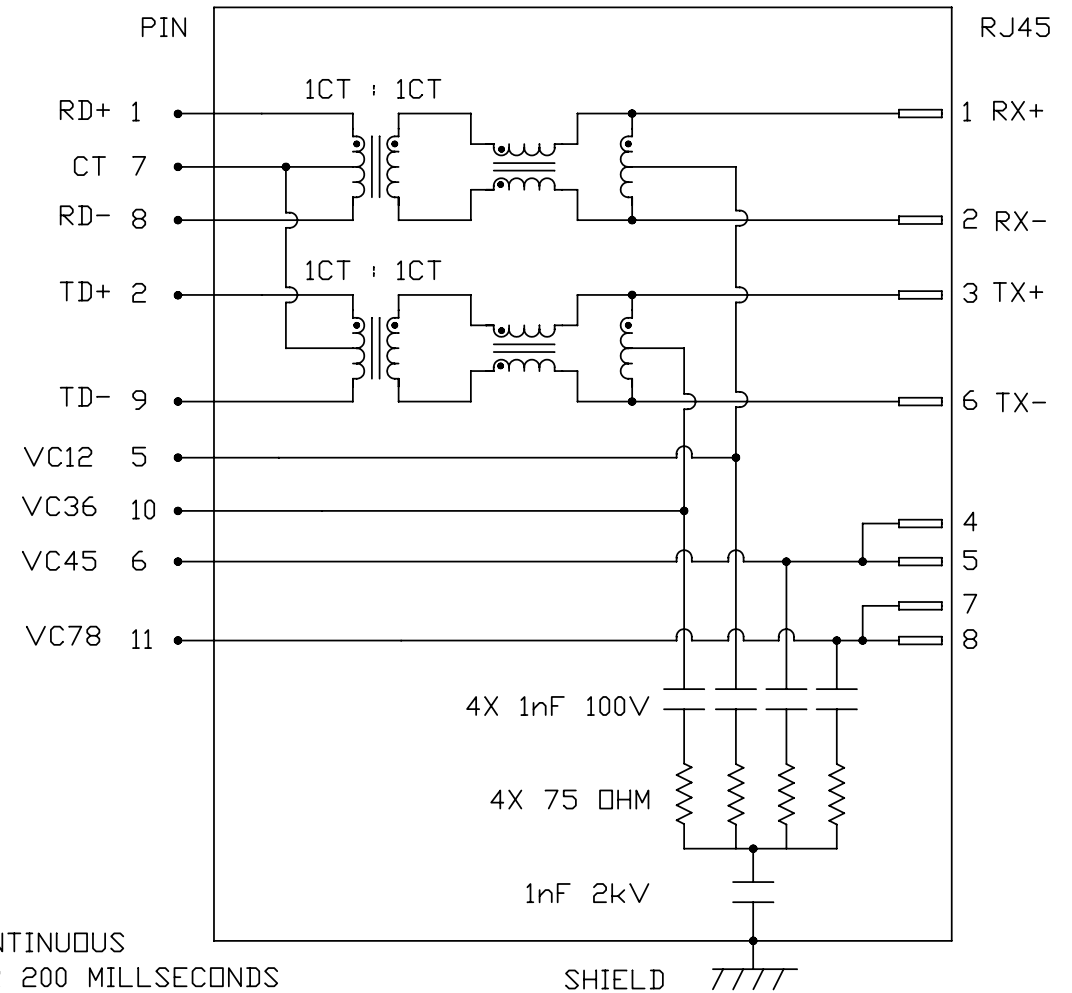
PRELIMINARY



ELECTRICAL CHARACTERISTICS @ 25°C

TURNS RATIO 1CT : 1CT ±2%
 OCL @ 100kHz/100mVRMS 8mA DC BIAS 350µH MIN.
 INSERTION LOSS 100KHz TO 100MHZ -1.5 dB MAX.
 RETURN LOSS (MIN.) 2MHZ-30MHZ -16 dB MIN.
 60MHZ-80MHZ -10 dB MIN.
 D.C. RESISTANCE (8-1)=(9-2) 1.0 ΩHM MAX.
 (RJ1-RJ2)=(RJ3-RJ6) 1.40 ΩHM MAX.
 INTERWINDING CAPACITANCE PER CHANNEL (PRI. to SEC.) 40 pF MAX.
 CROSS TALK 100KHz - 100MHZ -30 dB MIN.
 HIPOT (ISOLATION VOLTAGE) 2250 VDC
 100% OF PRODUCTION TESTED TO COMPLY WITH IEEE 802.3 ISOLATION REQUIREMENTS
 BALANCED DC LINE CURRENT 350mA MAX. @ 57 VDC CONTINUOUS
 500mA MAX. @ 57 VDC FOR 200 MILLSECONDS
 OPERATING TEMPERATURE: -40°C TO 85°C

SCHEMATIC



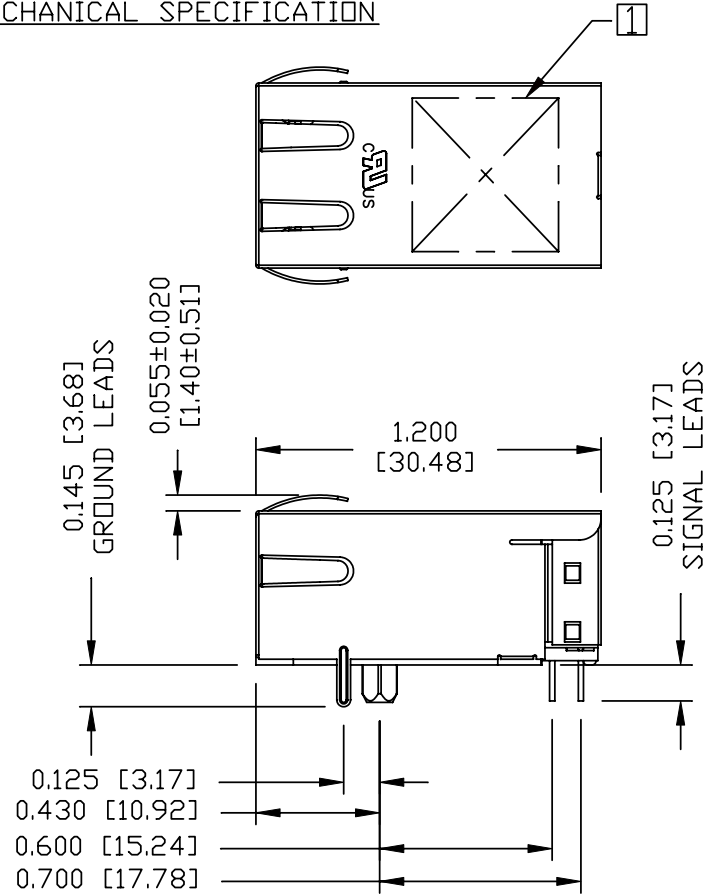
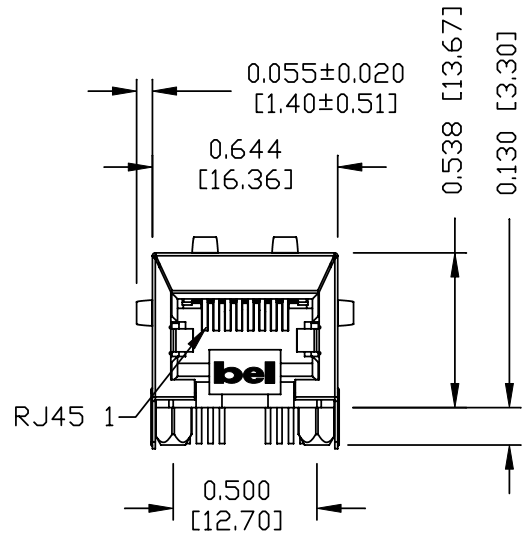
ORIGINATED BY	DATE	TITLE 10/100 MagJack® (PoE, Tab Down) Extended temperature of -57	PART NO. / DRAWING NO. 08131X1TFP-F	STANDARD DIM. TOL. IN INCH	[] METRIC DIM. AS REFERENCE	
CHOW WANGCHUNG	04-07-09				UNIT : INCH [mm]	REV. : PB
DRAWN BY	DATE	0813-1X1T-FP-F PATENTED	FILE NAME 08131X1TFP-F_PB.DWG	.X .XX .XXX	SCALE : N/A	SIZE : A4
LI YONGFENG	04-07-09					PAGE : 2



THE INFORMATION CONTAINED HEREIN IS CONSIDERED "PROPRIETARY" TO BEL FUSE INC. AND SHALL NOT BE COPIED, REPRODUCED OR DISCLOSED WITHOUT THE WRITTEN APPROVAL OF BEL FUSE INC.

PRELIMINARY

MECHANICAL SPECIFICATION



NOTES:

- PLASTIC HOUSING: THERMOPLASTIC PBT
- FLAMMABILITY RATING UL 94V-0
- CONTACTS: 50 MICRO-INCH HARD GOLD PLATING WITH UNDERPLATING OF 50 MICRO-INCH NICKEL.
- OUTPUT PINS: TIN-COATED COPPER WIRE, DIA 0.018 INCH.
- METAL SHIELD: NICKEL PLATED ON COPPER ALLOY. (ALL GROUND LEAD ARE SOLDER DIPPED)
- JACK CAVITY CONFORMS TO FCC RULES AND REGULATIONS.

① MARK PART WITH MFG LOGO, MFG NAME, PART NUMBER, DATE CODE AND PATENTED.

UL US UL RECOGNIZED - FILE #E196366 AND E169987.

- 2. RoHS COMPLIANCE, PER EU DIRECTIVE 2002/95/EC.
- 3. THE PRODUCT IS PATENTED, THE PATENT NUMBER IS U.S. PAT. 5,736,910.

ORIGINATED BY	DATE	TITLE	PART NO. / DRAWING NO.	STANDARD DIM. TOL. IN INCH	[] METRIC DIM. AS REFERENCE	
LIU QIN	04-07-09	10/100 MagJack® (PoE, Tab Down)	08131X1TFP-F	.X	UNIT : INCH [mm]	REV. : PB
DRAWN BY	DATE	Extended temperature of -57	FILE NAME	.XX	SCALE : N/A	SIZE : A4
XIAN JIAXIN	04-07-09	0813-1X1T-FP-F PATENTED	08131X1TFP-F_PB.DWG	.XXX ±0.010		PAGE : 3

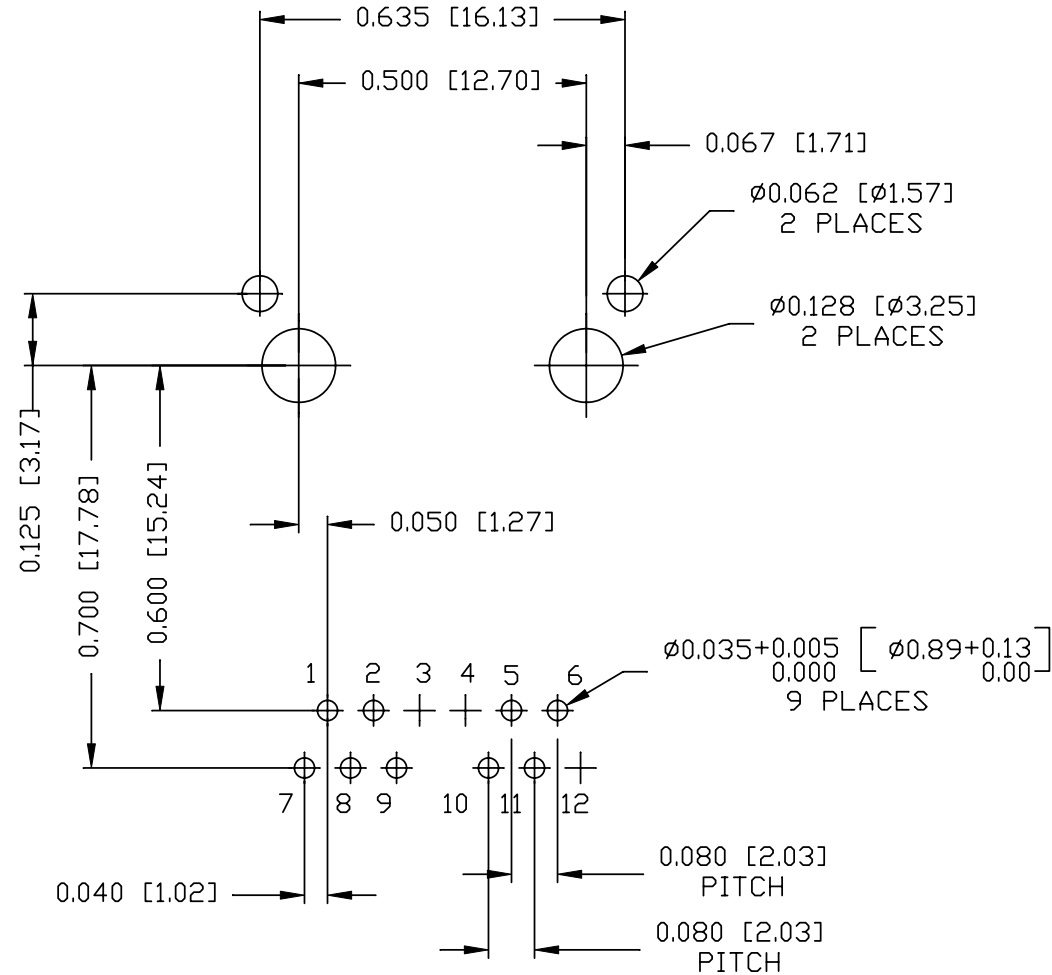


THE INFORMATION CONTAINED HEREIN IS CONSIDERED "PROPRIETARY" TO BEL FUSE INC. AND SHALL NOT BE COPIED, REPRODUCED OR DISCLOSED WITHOUT THE WRITTEN APPROVAL OF BEL FUSE INC.

RECOMMENDED PCB FOOTPRINT
COMPONENT SIDE VIEW

PRELIMINARY

RoHS
2002/95/EC



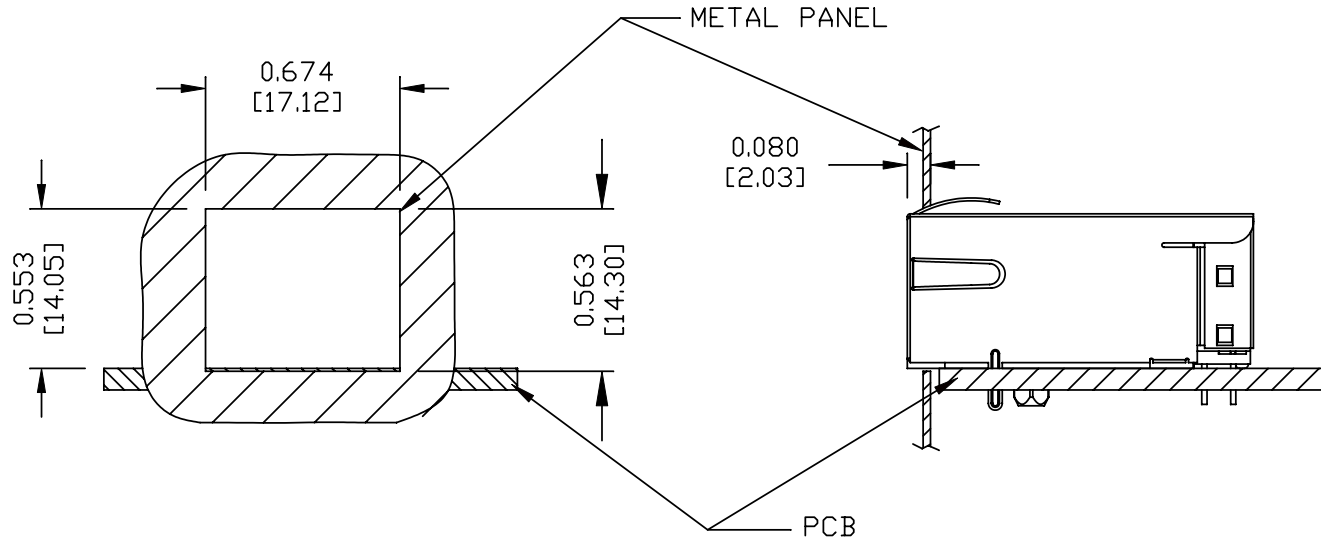
ORIGINATED BY LIU QIN	DATE 04-07-09	TITLE 10/100 MagJack® (PoE, Tab Down) Extended temperature of -57 0813-1X1T-FP-F PATENTED	PART NO. / DRAWING NO. 08131X1TFP-F		STANDARD DIM. TOL. IN INCH		[] METRIC DIM. AS REFERENCE		 COMPONENTS FOR A CONNECTED PLANET
			FILE NAME 08131X1TFP-F_PB.DWG		.X		UNIT : INCH [mm]	REV. : PB	
DRAWN BY XIAN JIAXIN	DATE 04-07-09			.XX		SCALE : N/A	SIZE : A4		
				.XXX	±0.004		PAGE : 4		

THE INFORMATION CONTAINED HEREIN IS CONSIDERED "PROPRIETARY" TO BEL FUSE INC. AND SHALL NOT BE COPIED, REPRODUCED OR DISCLOSED WITHOUT THE WRITTEN APPROVAL OF BEL FUSE INC.

PRELIMINARY



SUGGESTED PANEL OPENING



NOTES:

THE DISTANCE OF PANEL INSIDE SURFACE RELATIVE TO FRONT SURFACE OF PART IS ONLY A SUGGESTION. IN CASE THIS DISTANCE IS DIFFERENT, THE REQUIRED PANEL OPENING DIMENSIONS CHANGE ACCORDINGLY.
PACKING INFORMATION

PACKING TRAY : 0200-9999-F1(TOP)
 0200-9999-F2(BOTTOM)

PACKING QUANTITY : 40 PCS FINISHED GOODS PER TRAY
 10 TRAYS (400 PCS FINISHED GOODS) PER CARTON BOX

NOTER: CARDBOARDS ARE PLACED BETWEEN LAYERS OF PACKING TRAY INSIDE CARTON BOX
 (INCLUDE THE UPPERMOST AND LOWERMOST TRAY)

ORIGINATED BY LIU QIN	DATE 04-07-09	TITLE 10/100 MagJack® (PoE, Tab Down) Extended temperature of -57	PART NO. / DRAWING NO. 08131X1TFP-F	STANDARD DIM. TOL. IN INCH		[] METRIC DIM. AS REFERENCE		REV. : PB	bel
				.X		UNIT : INCH [mm]	SCALE : N/A		
DRAWN BY XIAN JIAXIN	DATE 04-07-09	0813-1X1T-FP-F PATENTED	FILE NAME 08131X1TFP-F_PB.DWG	.XX		PAGE : 5	COMPONENTS FOR A CONNECTED PLANET		
			.XXX	±0.004					