

THE INFORMATION CONTAINED HEREIN IS CONSIDERED "PROPRIETARY" TO BEL FUSE INC. AND SHALL NOT BE COPIED, REPRODUCED OR DISCLOSED WITHOUT THE WRITTEN APPROVAL OF BEL FUSE INC.

SCHEMATIC

ELECTRICAL CHARACTERISTICS @ 25°C

URNS RATIO

TP1	1CT : 1CT ±2%
TP2	1CT : 1CT ±2%
TP3	1CT : 1CT ±2%
TP4	1CT : 1CT ±2%

OCL @ 100kHz/100mVRMS

8mA DC BIAS                      350µH MIN.

INS. LOSS

0.1MHz TO 1MHz	-1.1 dB MAX
1MHz TO 65MHz	-0.5 dB MAX
65MHz TO 100MHz	-0.8 dB MAX
100MHz TO 125MHz	-1.2 dB MAX

RET. LOSS (MIN)

0.5MHz-40MHz	-18 dB
40MHz-100MHz	-12+20LOG(F/80MHz) dB

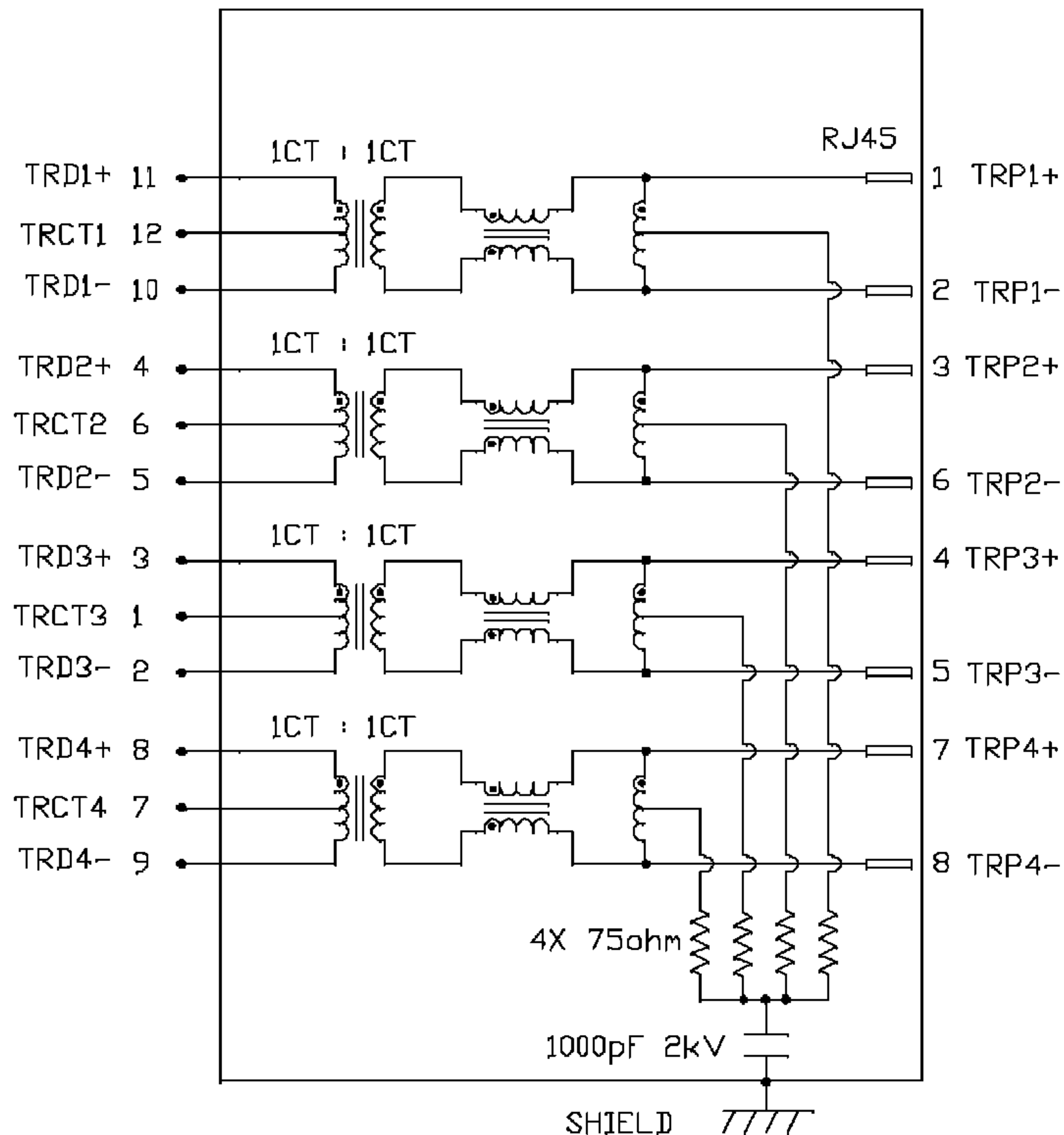
CM TO CM REJ

100kHz - 100MHz                      -30 dB MIN

CM TO DM REJ

100kHz - 100MHz                      -35 dB MIN

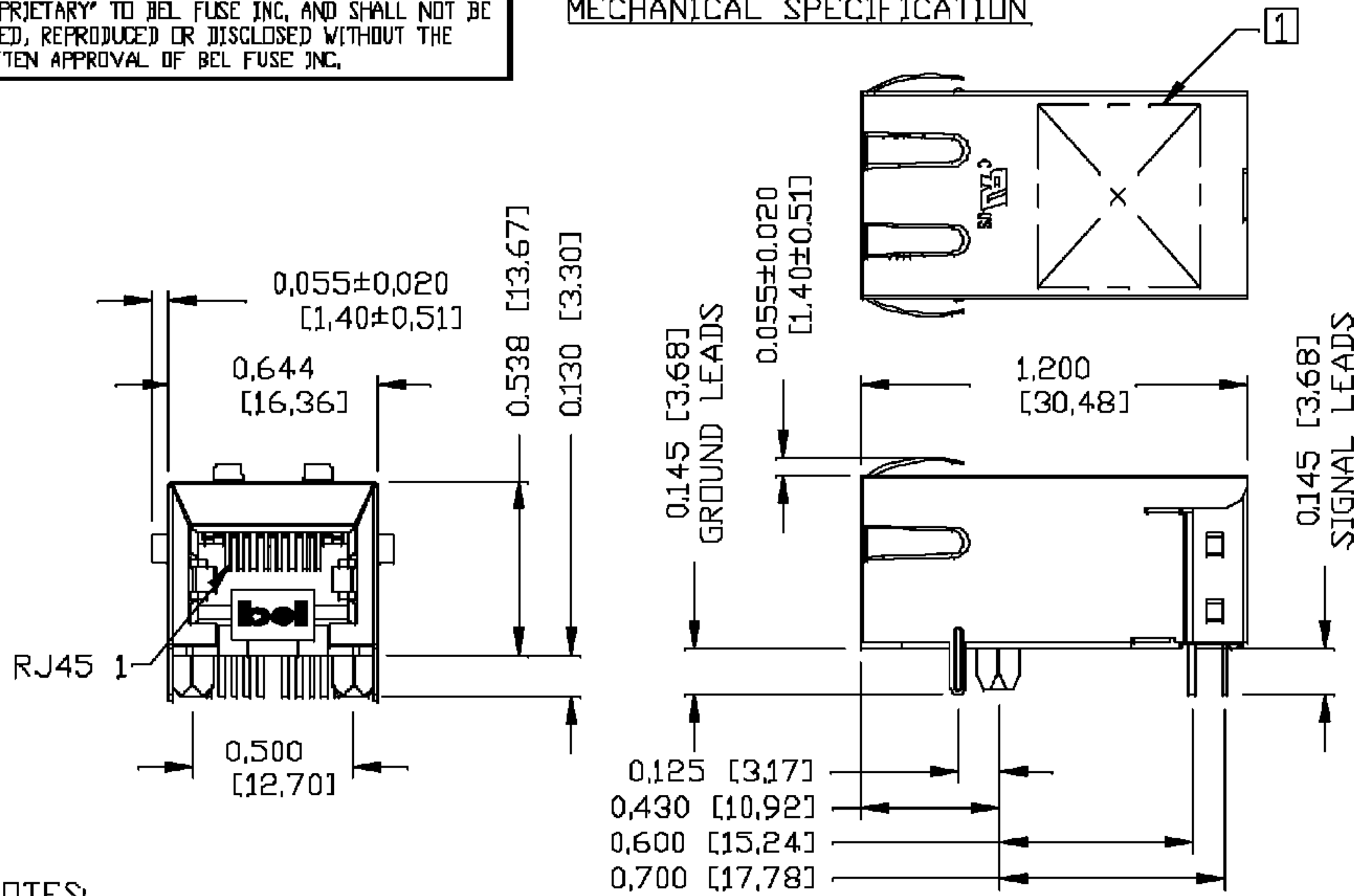
HIPOT (Isolation Voltage):                      1500 Vrms or 2250VDC



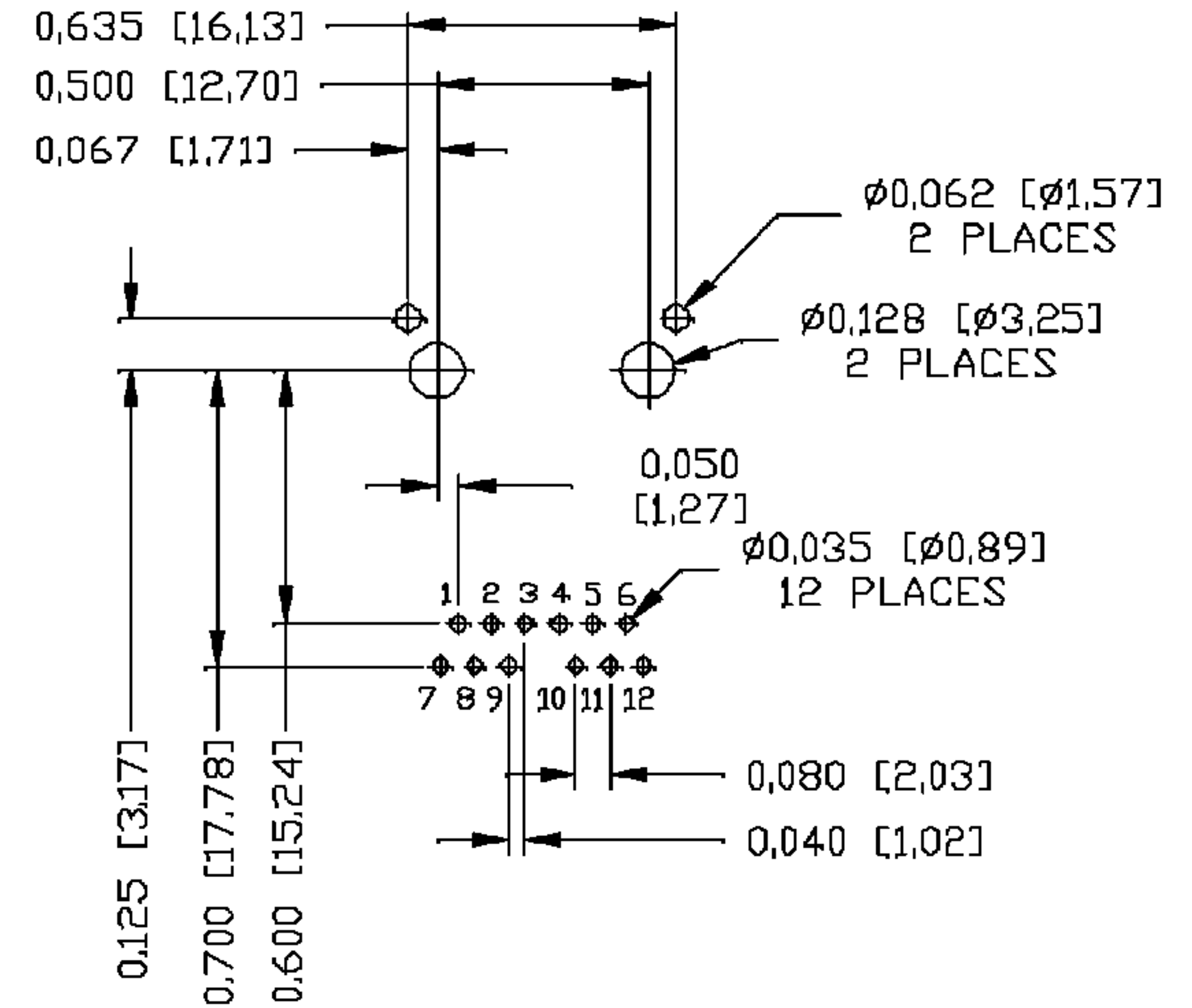
<b>ORIGINATED BY</b> CHUNG	<b>DATE</b> 11-29-06	<b>TITLE</b> glgabit MagJack® (Tab Down) (0.145" Pin Length of -23)	<b>PART NO. / DRAWING NO.</b> 0813-1X1T-29	<b>STANDARD DIM. TOL. IN INCH</b>	<b>[ ] METRIC DIM. AS REFERENCE</b>		
<b>DRAWN BY</b> DE	<b>DATE</b> 11-29-06		<b>FILE NAME</b> 08131X1T29A.DWG	.X .XX .XXX	UNIT : INCH [mm] SCALE : N/A	REV. : A SIZE : A4 PAGE : 2	

THE INFORMATION CONTAINED HEREIN IS CONSIDERED "PROPRIETARY" TO BEL FUSE INC. AND SHALL NOT BE COPIED, REPRODUCED OR DISCLOSED WITHOUT THE WRITTEN APPROVAL OF BEL FUSE INC.

MECHANICAL SPECIFICATION



RECOMMENDED PCB FOOTPRINT COMPONENT SIDE VIEW



NOTES:

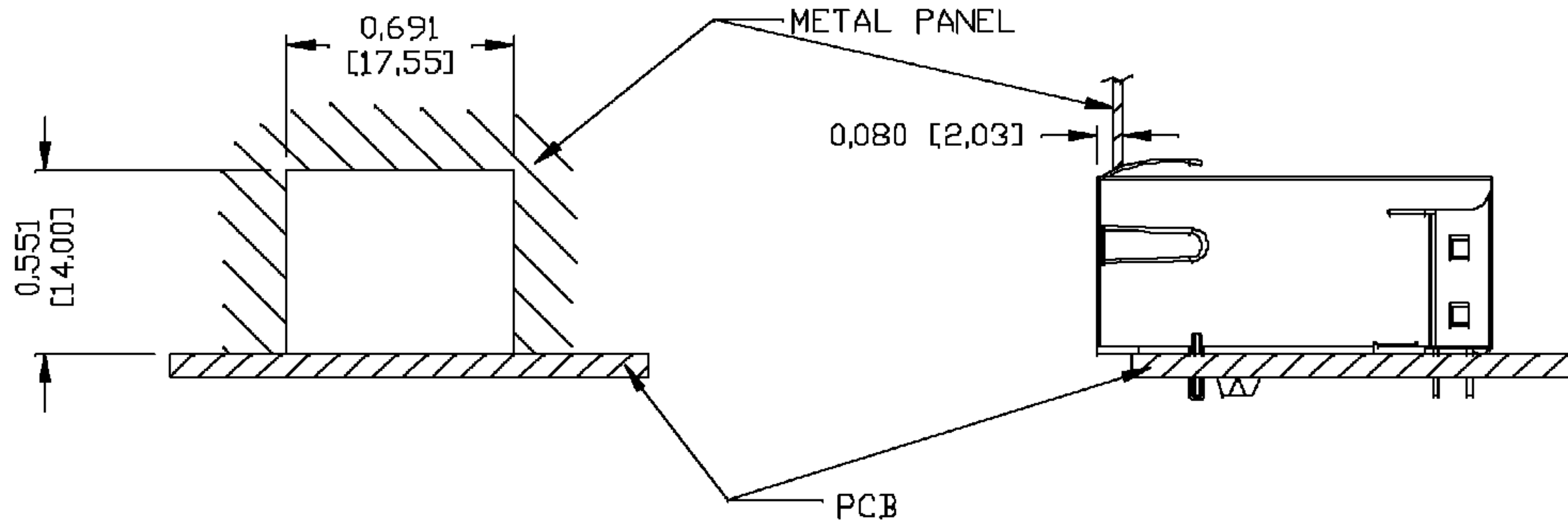
- PLASTIC HOUSING: THERMOPLASTIC PBT
- FLAMMABILITY RATING UL 94V-0
- CONTACTS: 50 MICRO-INCH HARD GOLD PLATING WITH UNDERPLATING OF 50 MICRO-INCH NICKEL,
- OUTPUT PINS: TIN-COATED COPPER WIRE, DIA 0,018 INCH,
- METAL SHIELD: NICKEL PLATED ON COPPER ALLOY, (ALL GROUND LEAD ARE SOLDER DIPPED)
- JACK CAVITY CONFORMS TO FCC RULES AND REGULATIONS.
- MARK PART WITH MFG LOGO, MFG NAME, PART NUMBER, AND DATE CODE

UL RECOGNIZED - FILE #E196366 AND E169987.

ORIGINATED BY QIN	DATE 11-29-06	TITLE glgabl MagJack® (Tab Down) (0,145" Pln Length of-23)	PART NO. / DRAWING NO. 0813-1X1T-29	STANDARD DIM. TOL. IN INCH .X .XX .XXX ±0,010	[ ] METRIC DIM. AS REFERENCE UNIT : INCH [mm] SCALE : N/A	REV. : A SIZE : A4 PAGE : 3	
DRAWN BY TING	DATE 11-29-06		FILE NAME 08131X1T29A.DWG				

THE INFORMATION CONTAINED HEREIN IS CONSIDERED "PROPRIETARY" TO BEL FUSE INC. AND SHALL NOT BE COPIED, REPRODUCED OR DISCLOSED WITHOUT THE WRITTEN APPROVAL OF BEL FUSE INC.

SUGGESTED PANEL OPENING



PACKING INFORMATION

PACKING TRAY : 0200-9999-F1(TOP)

PACKING TRAY : 0200-9999-F2(BOTTOM)

PACKING QUANTITY : 40 PCS FINISHED GOODS PER TRAY

10 TRAYS (400 PCS FINISHED GOODS) PER CARTON BOX

NOTES: CARDBOARDS ARE PLACED BETWEEN LAYERS OF PACKING TRAY INSIDE CARTON BOX  
(INCLUDE THE UPPERMOST AND LOWERMOST TRAY)

NOTE:

THE DISTANCE OF PANEL INSIDE SURFACE RELATIVE TO FRONT SURFACE OF PART IS ONLY A SUGGESTION.  
IN CASE THIS DISTANCE IS DIFFERENT, THE REQUIRED PANEL OPENING DIMENSIONS CHANGE ACCORDINGLY.

<b>ORIGINATED BY</b> QIN	<b>DATE</b> 11-29-06	<b>TITLE</b> glgabit MagJack® (Tab Down) (0.145" Pln Length of-23)	<b>PART NO. / DRAWING NO.</b> 0813-1X1T-29	<b>STANDARD DIM. TOL IN INCH</b>	<b>[ ] METRIC DIM. AS REFERENCE</b>		
<b>DRAWN BY</b> TING	<b>DATE</b> 11-29-06		<b>FILE NAME</b> 08131X1T29A.DWG	X XX XXX	UNIT : INCH [mm] SCALE : N/A	REV. : A SIZE : A4	
				±0.004		PAGE : 4	