

THE INFORMATION CONTAINED HEREIN IS CONSIDERED "PROPRIETARY" TO BEL FUSE INC. AND SHALL NOT BE COPIED, REPRODUCED OR DISCLOSED WITHOUT THE WRITTEN APPROVAL OF BEL FUSE INC.

### SCHEMATIC

## ELECTRICAL CHARACTERISTICS @ 25°C

#### TURNS RATIO

TP1	1CT : 1CT ±2%
TP2	1CT : 1CT ±2%
TP3	1CT : 1CT ±2%
TP4	1CT : 1CT ±2%

#### DCL @ 100kHz/100mVRMS

8mA DC BIAS                      350µH MIN.

#### INS. LOSS

0.1MHz TO 1MHz	-1.1 dB MAX
1MHz TO 65MHz	-0.5 dB MAX
65MHz TO 100MHz	-0.8 dB MAX
100MHz TO 125MHz	-1.2 dB MAX

#### RET. LOSS (MIN)

0.5MHz-40MHz	-18 dB
40MHz-100MHz	-12+20LOG(F/80MHz) dB

#### CM TO CM REJ

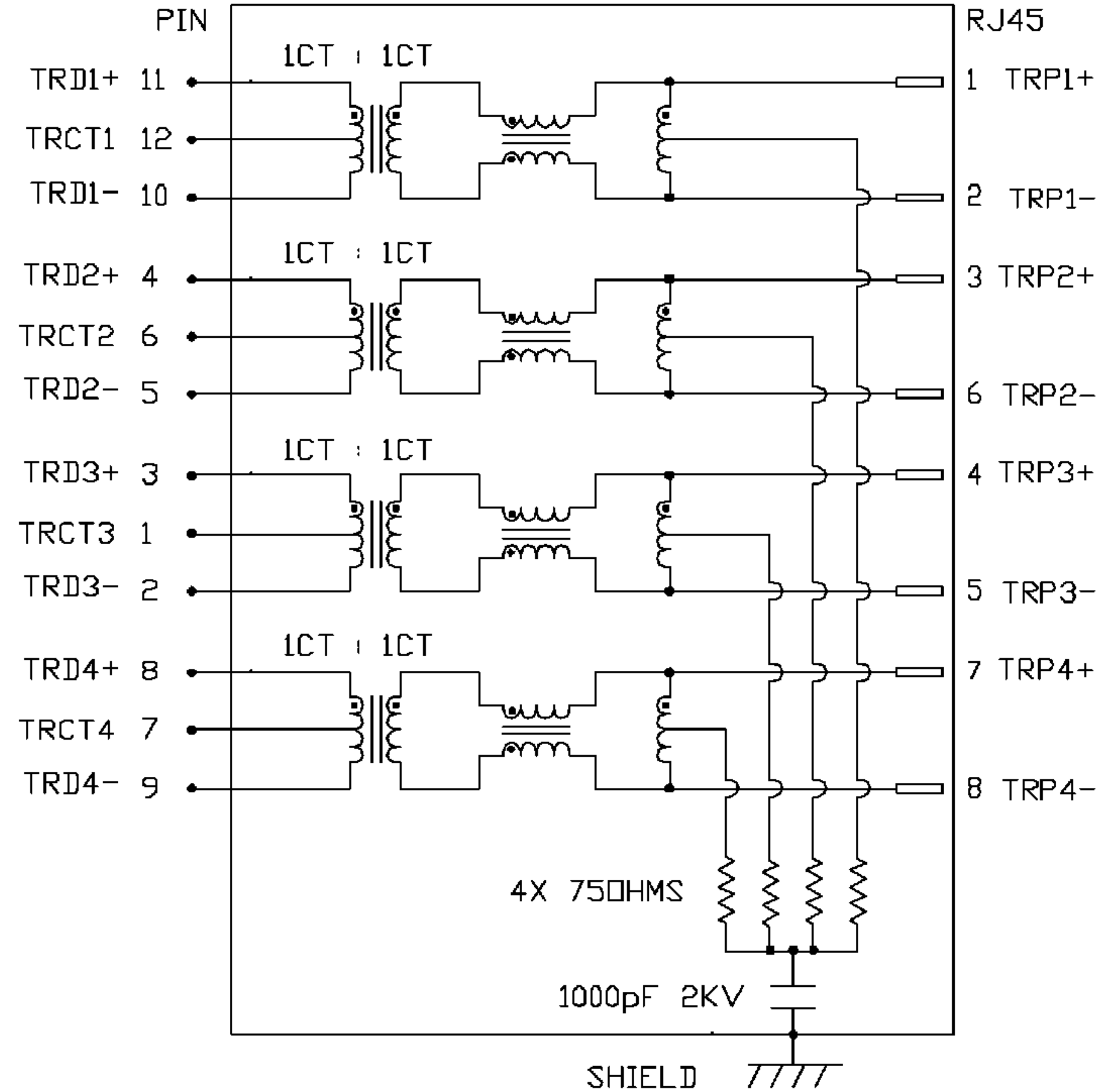
100kHz - 100MHz                      -30 dB MIN

#### CM TO DM REJ

100kHz - 100MHz                      -35 dB MIN

#### HIPOT (Isolation Voltage):

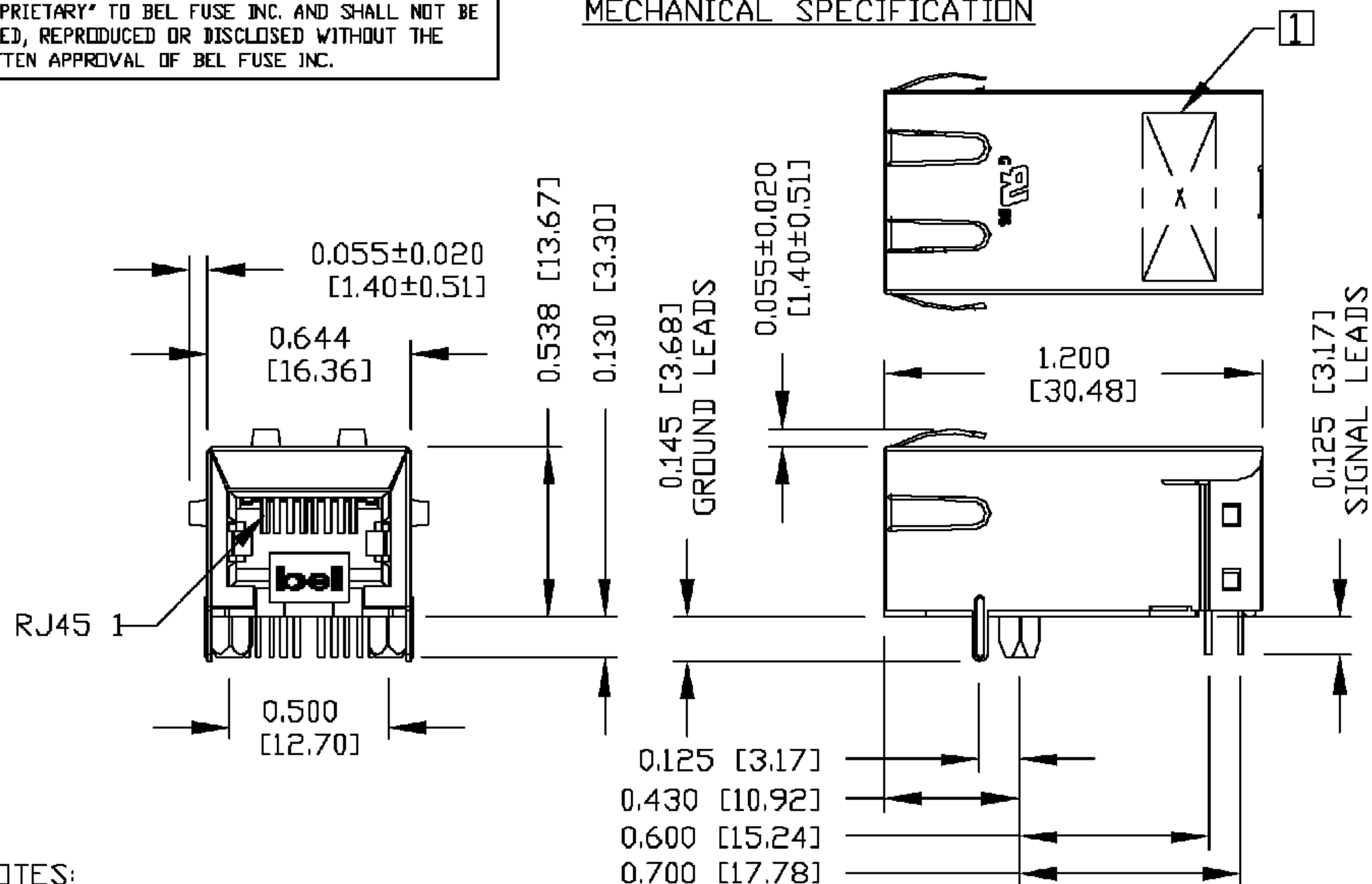
1500 Vrms or 2250VDC



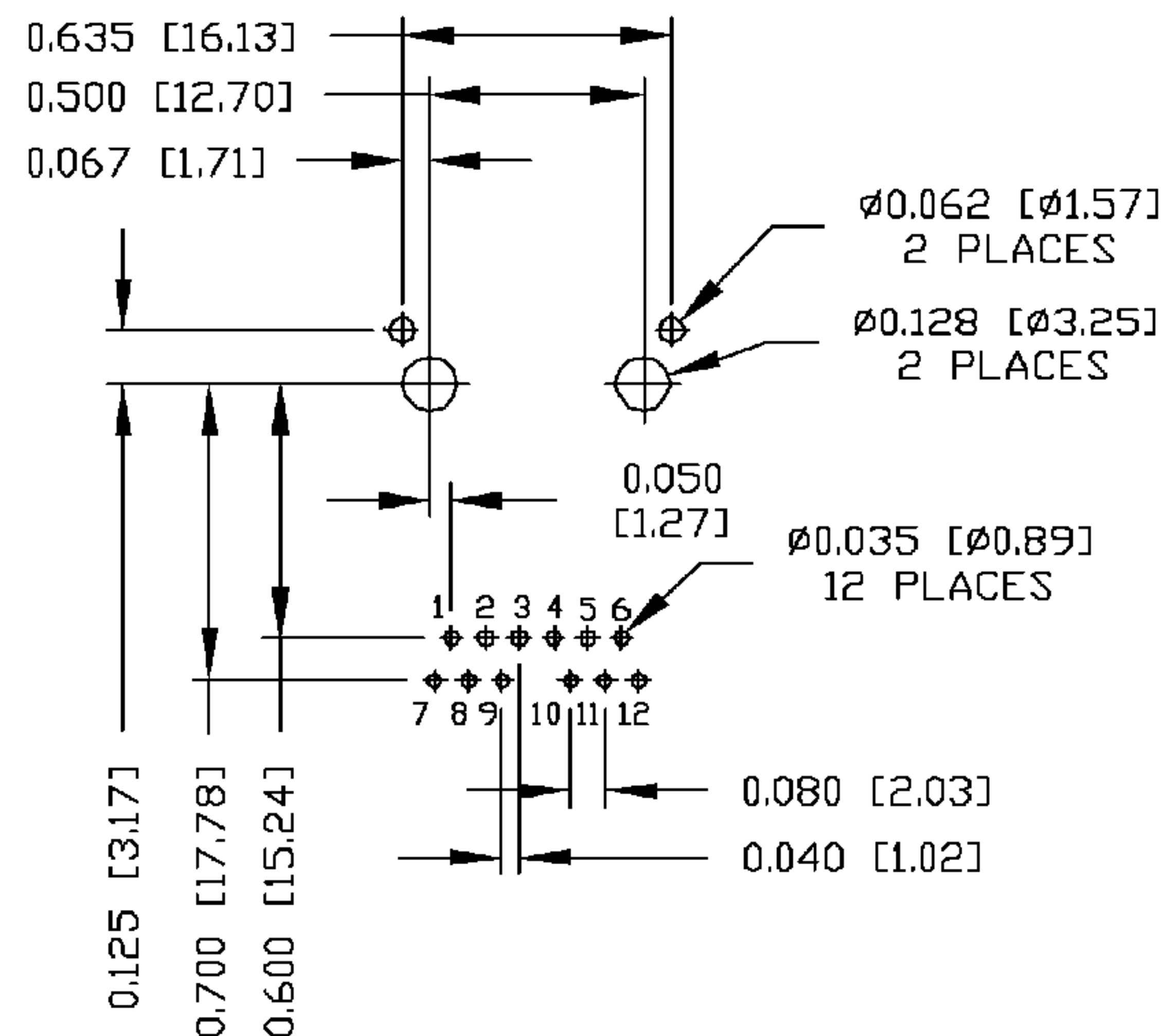
ORIGINATED BY	DATE	TITLE	PART NO. / DRAWING NO.	STANDARD DIM. TOL. IN INCH	[ ] METRIC DIM. AS REFERENCE	 <small>COMPONENTS FOR A CONNECTED PLANET</small>	
CHUNG	09-25-06	glgabl MagJack® (12 cores, Tab Down)	0813-1X1T-23	.X	UNIT : INCH [mm]		
DRAWN BY	DATE		FILE NAME	.XX	SCALE : N/A		REV. : F
DE	09-25-06		08131X1T23F.DWG	.XXX			SIZE : A4
					PAGE : 2		

THE INFORMATION CONTAINED HEREIN IS CONSIDERED "PROPRIETARY" TO BEL FUSE INC. AND SHALL NOT BE COPIED, REPRODUCED OR DISCLOSED WITHOUT THE WRITTEN APPROVAL OF BEL FUSE INC.

**MECHANICAL SPECIFICATION**



**RECOMMENDED PCB FOOTPRINT COMPONENT SIDE VIEW**



**NOTES:**

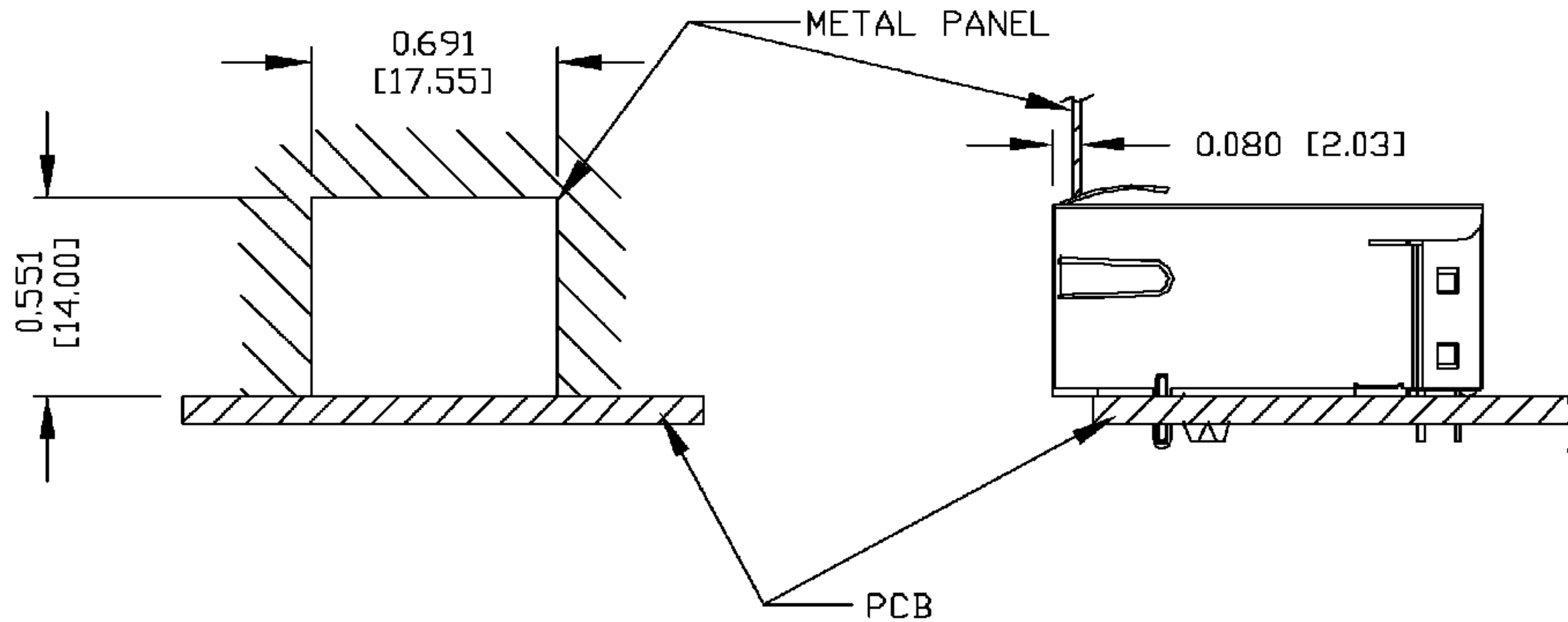
- PLASTIC HOUSING: THERMOPLASTIC PBT  
FLAMMABILITY RATING UL 94V-0
- CONTACTS: 50 MICRO-INCH HARD GOLD PLATING  
WITH UNDERPLATING OF 50 MICRO-INCH NICKEL.
- OUTPUT PINS: TIN-COATED COPPER WIRE, DIA 0.018 INCH.
- METAL SHIELD: NICKEL PLATED ON COPPER ALLOY.  
(ALL GROUND LEAD ARE SOLDER DIPPED)
- JACK CAVITY CONFORMS TO FCC RULES AND REGULATIONS.
- ☐ MARK PART WITH MFG LOGO, MFG NAME, PART NUMBER, AND DATE CODE

**UL** US UL RECOGNIZED - FILE #E196366 AND E169987.

<b>ORIGINATED BY</b> CHRIS/BILL	<b>DATE</b> 09-25-06	<b>TITLE</b> gigabit MagJack® (12 cores, Tab Down)	<b>PART NO. / DRAWING NO.</b> 0813-1X1T-23	<b>STANDARD DIM. TOL. IN INCH</b>	<b>[ ] METRIC DIM. AS REFERENCE</b>		<b>bel</b> COMPONENTS FOR A CONNECTED PLANET
<b>DRAWN BY</b> LING	<b>DATE</b> 09-25-06		<b>FILE NAME</b> 08131X1T23F.DWG	.X .XX .XXX ±0.010	UNIT : INCH [mm] SCALE : N/A	REV. : F SIZE : A4 PAGE : 3	

THE INFORMATION CONTAINED HEREIN IS CONSIDERED "PROPRIETARY" TO BEL FUSE INC. AND SHALL NOT BE COPIED, REPRODUCED OR DISCLOSED WITHOUT THE WRITTEN APPROVAL OF BEL FUSE INC.

SUGGESTED PANEL OPENING



NOTES:


THE DISTANCE OF PANEL INSIDE SURFACE RELATIVE TO FRONT SURFACE OF PART IS ONLY A SUGGESTION. IN CASE THIS DISTANCE IS DIFFERENT, THE REQUIRED PANEL OPENING DIMENSIONS CHANGE ACCORDINGLY.

PACKING INFORMATION

PACKING TRAY : 0200-9999-F1(TOP)  
0200-9999-F2(BOTTOM)

PACKING QUANTITY : 40 PCS FINISHED GOODS PER TRAY  
10 TRAYS (400 PCS FINISHED GOODS) PER CARTON BOX

NOTER: CARDBOARDS ARE PLACED BETWEEN LAYERS OF PACKIING TRAY INSIDE CARTON BOX  
(INCLUDE THE UPPERMOST AND LOWERMOST TRAY)

ORIGINATED BY CHRIS/BILL	DATE 09-25-06	TITLE glgabt MagJack® (12 cores, Tab Down)	PART NO. / DRAWING NO. 0813-1X1T-23	STANDARD DIM. TOL. IN INCH	[ ] METRIC DIM. AS REFERENCE	 COMPONENTS FOR A CONNECTED PLANET
DRAWN BY LING	DATE 09-25-06		FILE NAME 08131X1T23F.DWG	.X	UNIT : INCH [mm]	
				.XX	SCALE : N/A	
				.XXX ±0.004	REV. : F SIZE : A4 PAGE : 4	