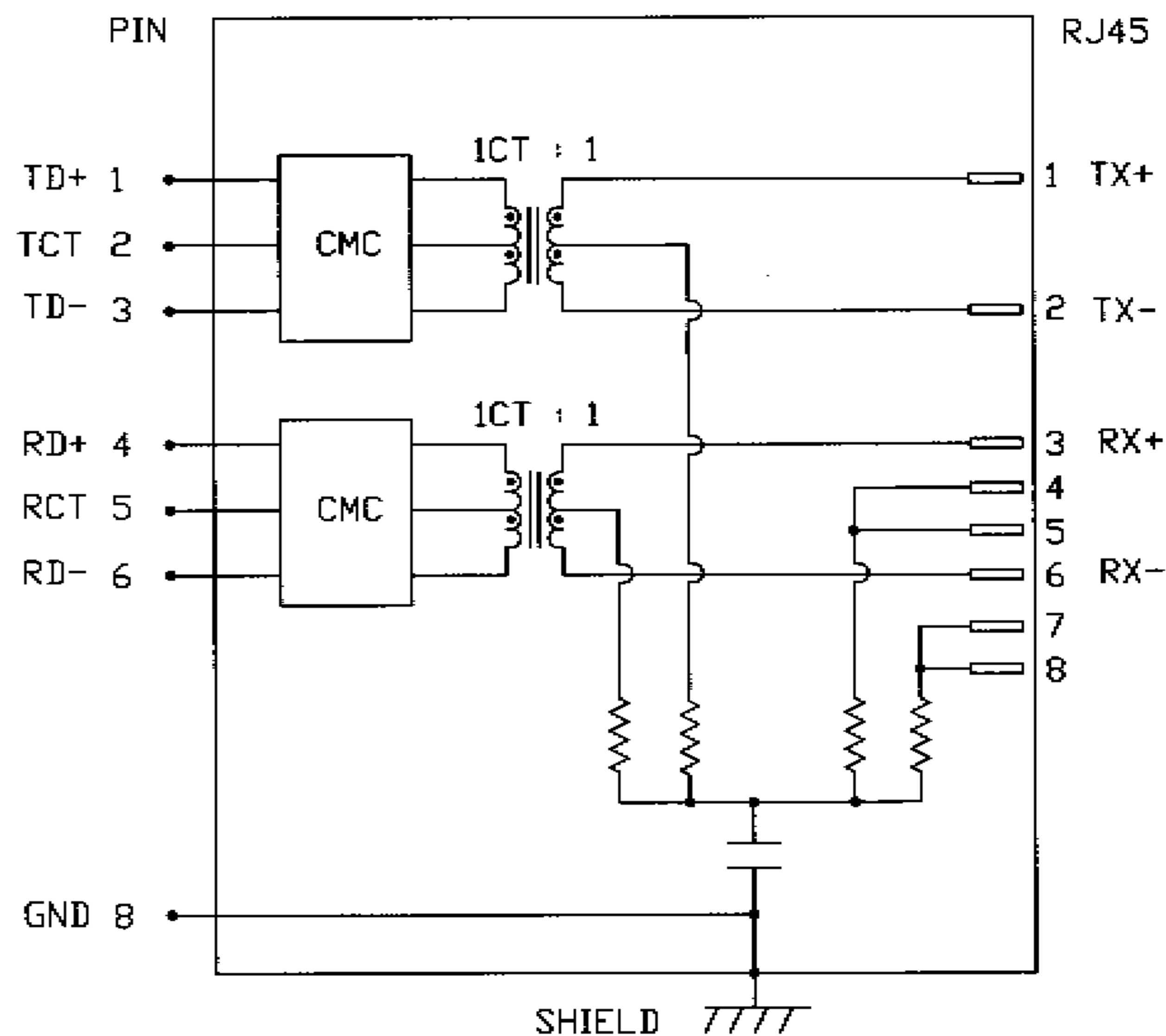


THE INFORMATION CONTAINED HEREIN IS CONSIDERED "PROPRIETARY" TO BEL FUSE INC. AND SHALL NOT BE COPIED, REPRODUCED OR DISCLOSED WITHOUT THE WRITTEN APPROVAL OF BEL FUSE INC.

ELECTRICAL CHARACTERISTICS @ 25°C

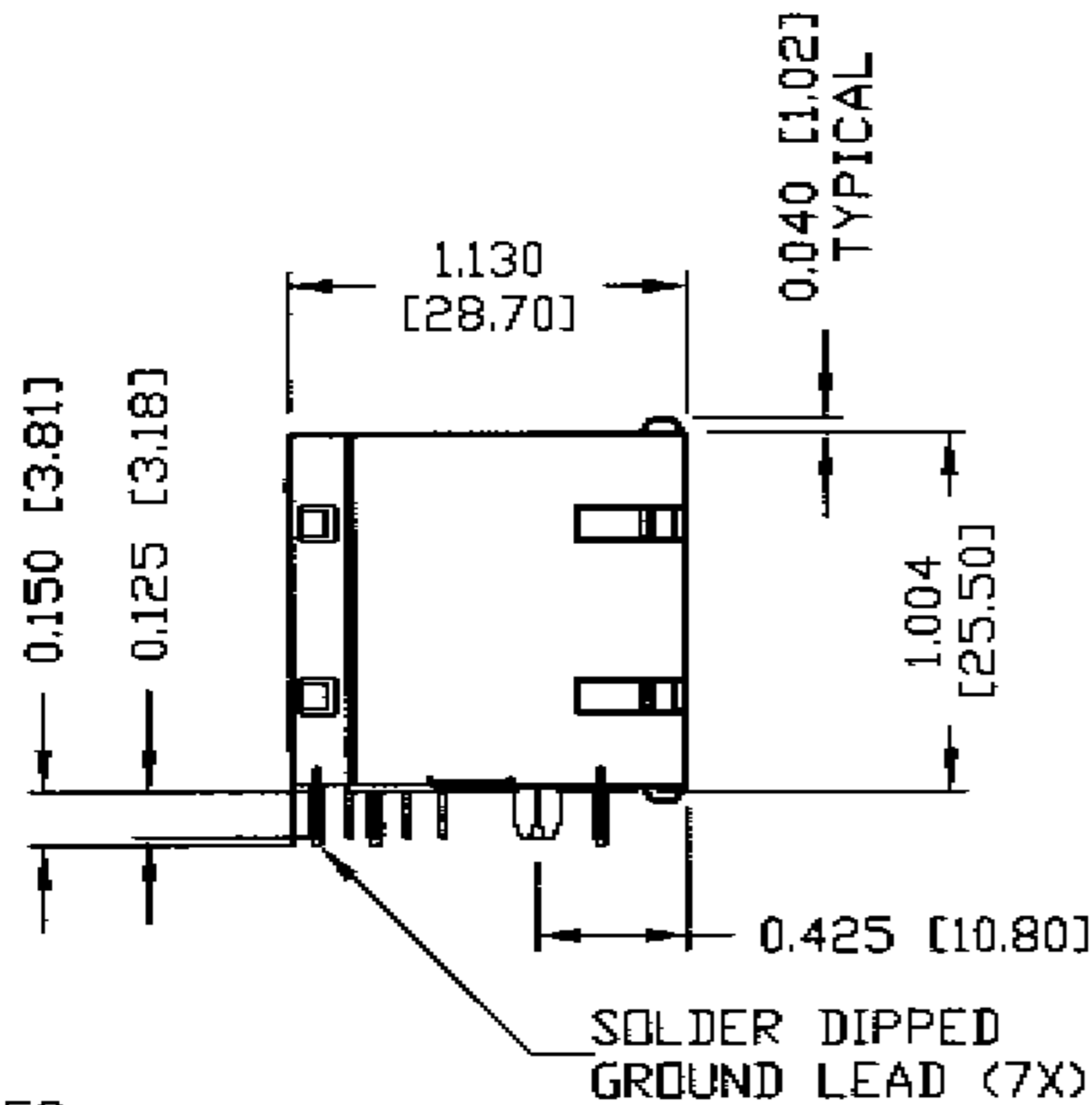
| | |
|--------------------|---------------|
| RETURN LOSS (MIN.) | |
| 1MHz-30MHz | 18 dB |
| 60MHz-80MHz | 12 dB |
| INSERTION LOSS | |
| 100KHz TO 100MHz | 1.1 dB |
| DCL @ 0.1V, 100KHz | |
| 8mA DC BIAS | 350μH MIN. |
| TURNS RATIO | 1CT : 1CT ±3% |
| XTALK | |
| 100KHz TO 100MHz | -35 dB MIN. |

SCHEMATIC



| | | | | | | | | |
|---------------|---------------------|------------------------|--|-------------------------------|------------------------------|------------------|----------|--|
| DRWN SALLY | DATE 7/31/02 | TITLE 2X6 belStack™ | PART NO. / DRAWING NO. 0811-2X6T-30 | STANDARD DIM. TOL. IN INCH | [] METRIC DIM. AS REFERENCE | | REV. : B | bel COMPONENTS FOR A CONNECTED PLANET |
| | CHKD [Signature] | | DATE 02 AUG 2002 | FILE NAME 08112X6T30B.DWG | X XX XXX | UNIT : INCH [mm] | | |
| | | | | | PAGE : 2 | | | |

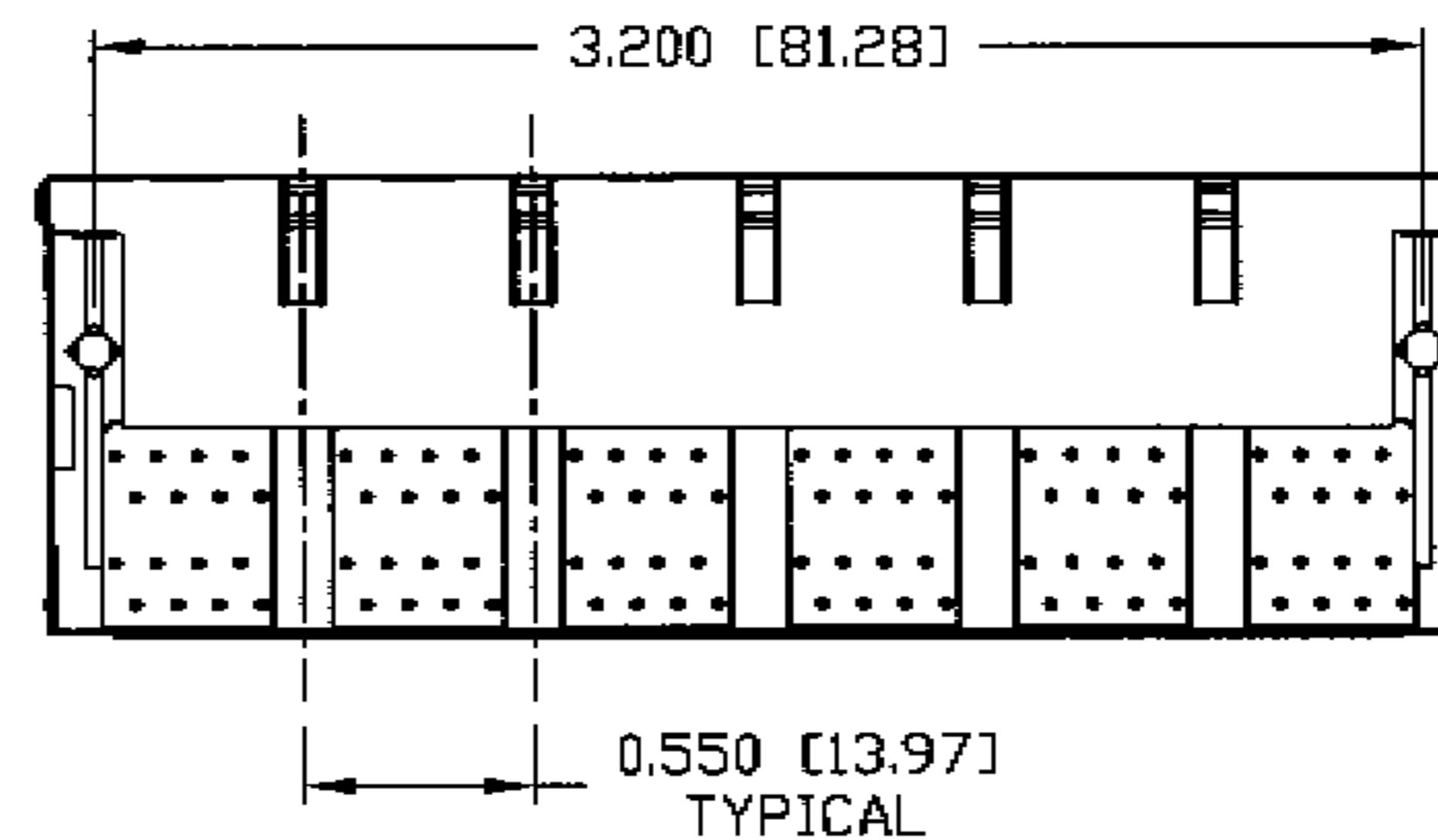
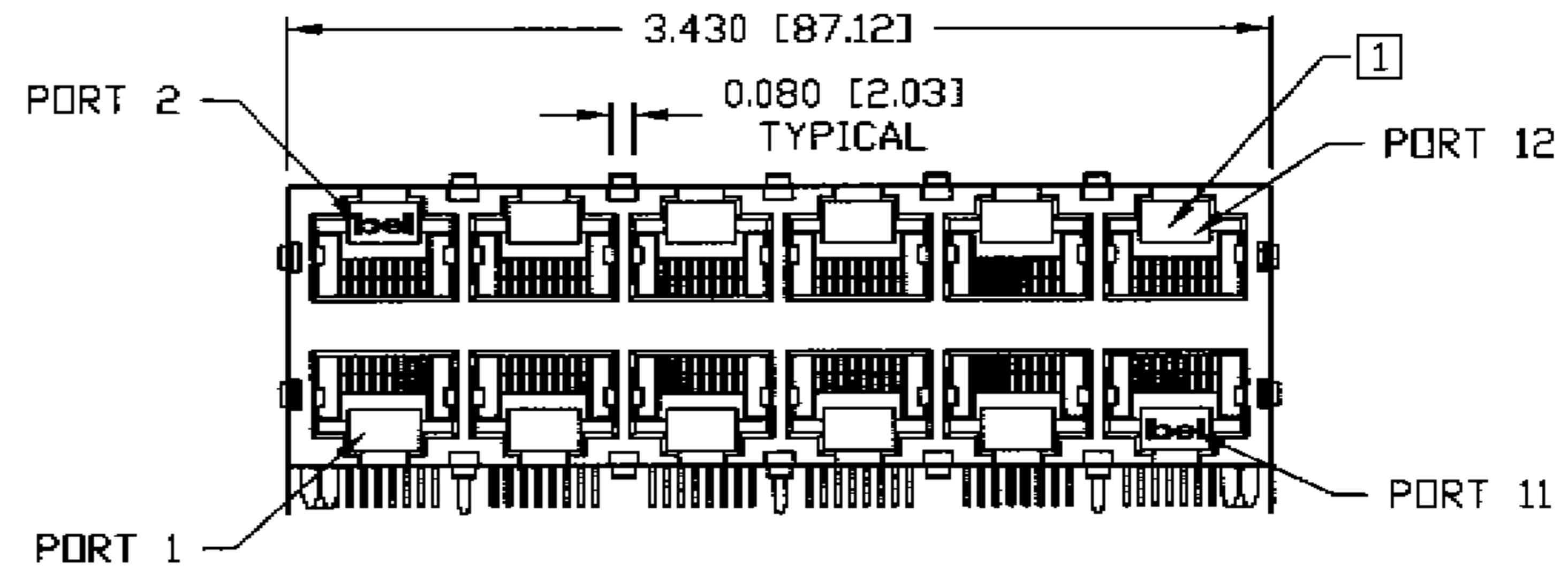
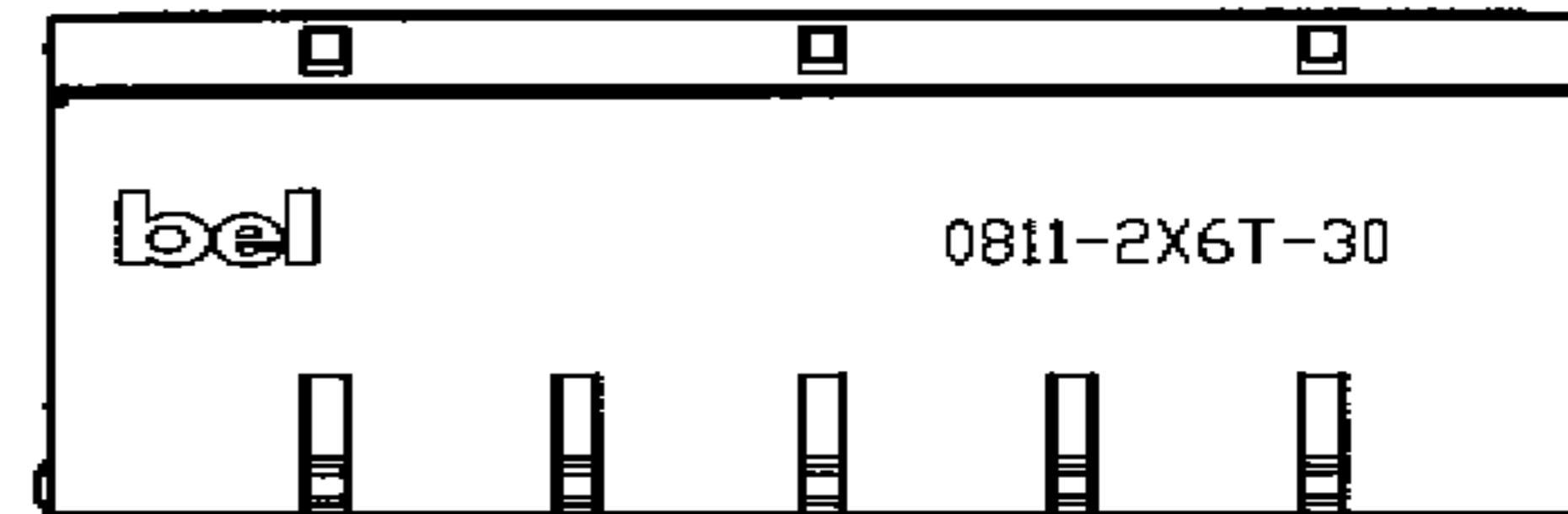
THE INFORMATION CONTAINED HEREIN IS CONSIDERED "PROPRIETARY" TO BEL FUSE INC. AND SHALL NOT BE COPIED, REPRODUCED OR DISCLOSED WITHOUT THE WRITTEN APPROVAL OF BEL FUSE INC.



NOTES:

- PLASTIC HOUSING: THERMOPLASTIC PBT
FLAMMABILITY RATING UL 94V-0
- CONTACT PLATING: 50 MICRO-INCH HARD GOLD PLATING
- OUTPUT PINS: TIN-COATED COPPER WIRE, DIA 0.018 INCH.
- SOLDERABILITY: PER MIL STD. 202, METHOD 208.
- METAL SHIELD: NICKEL PLATED COPPER ALLOY.
(ALL GROUND LEADS ARE SOLDER DIPPED)

1. JACK CAVITY CONFORMS TO FCC RULES AND REGULATIONS, PART 68 SUBPART F.



DRWN: SALLY I
DATE: 7/31/02
CHKD: Quincy
DATE: 02 AUG 2002

TITLE: 2X6 belStack™

PART NO. / DRAWING NO.: 0811-2X6T-30
FILE NAME: 08112X6T30B.DWG

| STANDARD DIM. TOL. IN INCH | |
|----------------------------|--------|
| .X | |
| .XX | |
| .XXX | ±0.010 |

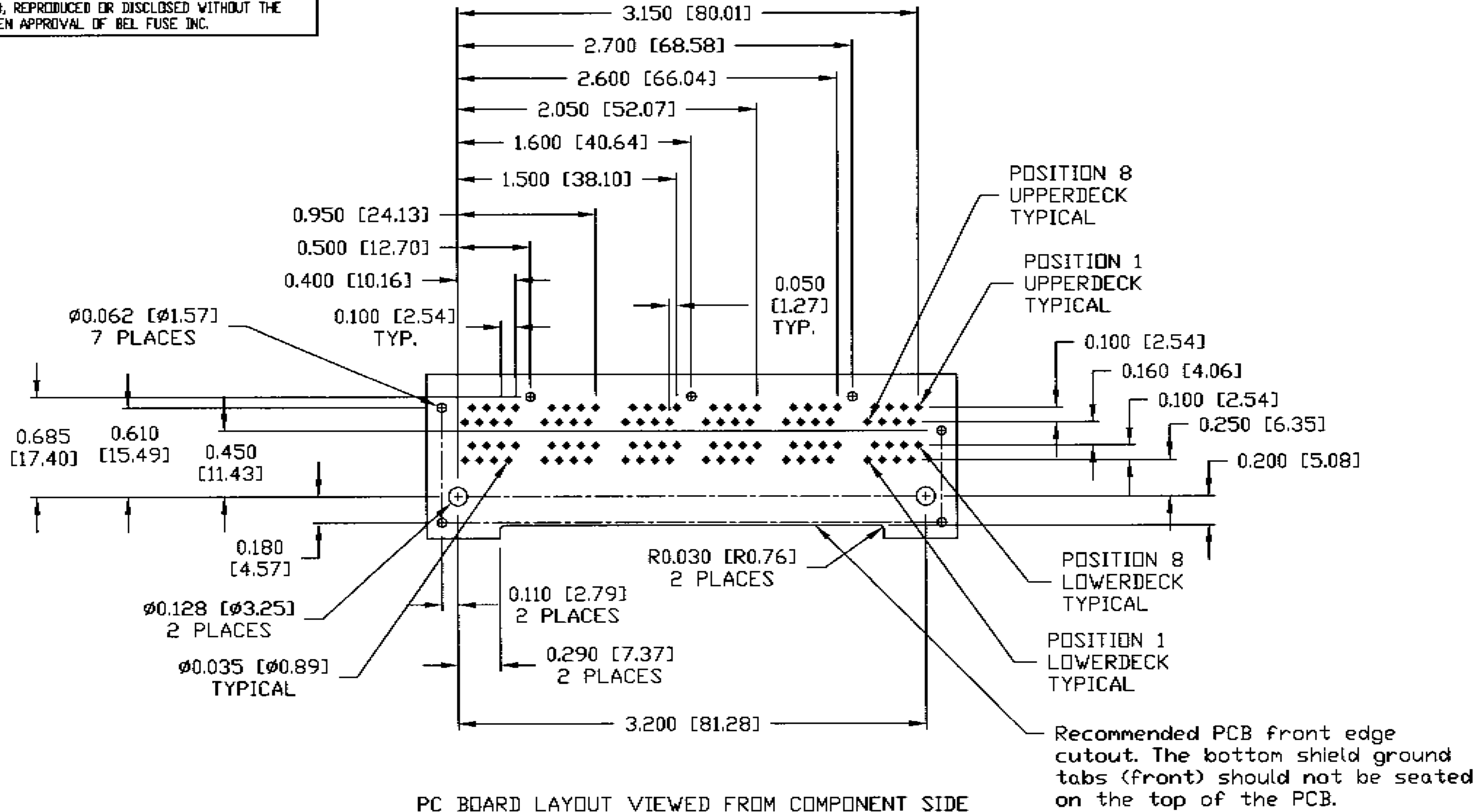
| [] METRIC DIM. AS REFERENCE | |
|------------------------------|-----------|
| UNIT : INCH [mm] | REV. : B |
| SCALE : N/A | SIZE : A4 |
| | PAGE : 3 |



This document is electronically generated. This is a controlled copy if used internally.

This document is electronically generated. This is a controlled copy if used internally.

THE INFORMATION CONTAINED HEREIN IS CONSIDERED "PROPRIETARY" TO BEL FUSE INC. AND SHALL NOT BE COPIED, REPRODUCED OR DISCLOSED WITHOUT THE WRITTEN APPROVAL OF BEL FUSE INC.



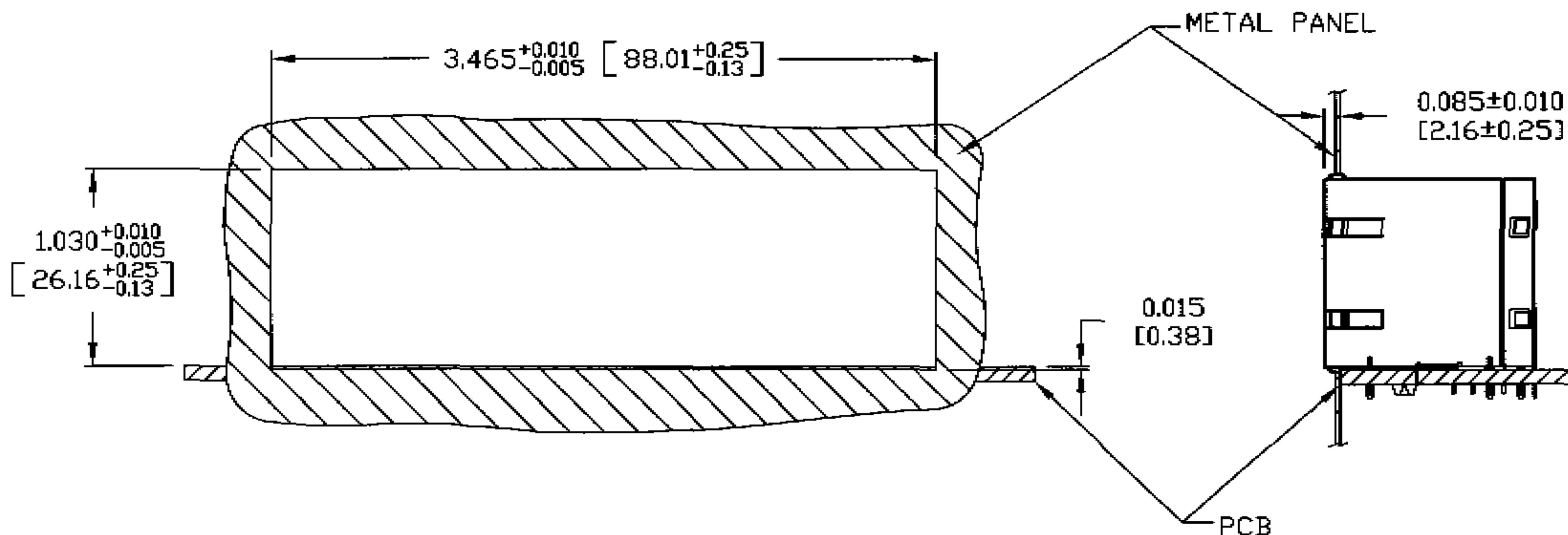
PC BOARD LAYOUT VIEWED FROM COMPONENT SIDE

| | | | | | | | | |
|------------------|--------------------|------------------------|--|----------------------------|--------|------------------------------|-----------|--|
| DRWN SALLY J | DATE 7/3/02 | TITLE 2X6 belStack™ | PART NO. / DRAWING NO. 0811-2X6T-30 | STANDARD DIM. TOL. IN INCH | | [] METRIC DIM. AS REFERENCE | | bel COMPONENTS FOR A CONNECTED PLANET |
| | | | | X | | UNIT : INCH [mm] | REV. : B | |
| CHKD D. J. J. | DATE 2 AUG 2002 | | FILE NAME 08112X6T30B.DWG | .XX | | SCALE : N/A | SIZE : A4 | PAGE : 4 |
| | | | | .XXX | ±0.010 | | | |

This document is electronically generated. This is a controlled copy if used internally

THE INFORMATION CONTAINED HEREIN IS CONSIDERED "PROPRIETARY" TO BEL FUSE INC. AND SHALL NOT BE COPIED, REPRODUCED OR DISCLOSED WITHOUT THE WRITTEN APPROVAL OF BEL FUSE INC.

SUGGESTED PANEL OPENING



NOTE:

THE DISTANCE OF PANEL INSIDE SURFACE RELATIVE TO FRONT SURFACE OF PART IS ONLY A SUGGESTION. IN CASE THIS DISTANCE IS DIFFERENT, THE REQUIRED PANEL OPENING DIMENSIONS CHANGE ACCORDINGLY.

PACKING INFORMATION

PACKING TRAY : 0200-0148-40 (TOP)
0200-0148-39 (BOTTOM)

PACKING QUANTITY : 15 PCS FINISHED GOOD PER TRAY
7 TRAY (105 PCS FINISHED GOOD) PER CARTON BOX

NOTE : CARDBOARDS ARE PLACED BETWEEN LAYERS OF PACKING TRAY INSIDE CARTON BOX
(INCLUDE THE UPPERMOST AND LOWERMOST TRAY)

| | | | | | | | |
|-----------------|--------------------|------------------------|--|-------------------------------|------------------------------|---|-----------|
| DRWN SALLY J | DATE 7/31/02 | TITLE 2X6 belStack™ | PART NO. / DRAWING NO. 0811-2X6T-30 | STANDARD DIM. TOL. IN INCH | [] METRIC DIM. AS REFERENCE | COMPONENTS FOR A CONNECTED PLANET | |
| CHKD Quincy | DATE 2 AUG 2002 | | FILE NAME 08112X6T30B.DWG | X | UNIT : INCH [mm] | | REV. : B |
| | | | | .XX | SCALE : N/A | | SIZE : A4 |
| | | | | .XXX ±0.010 | | | PAGE : 5 |