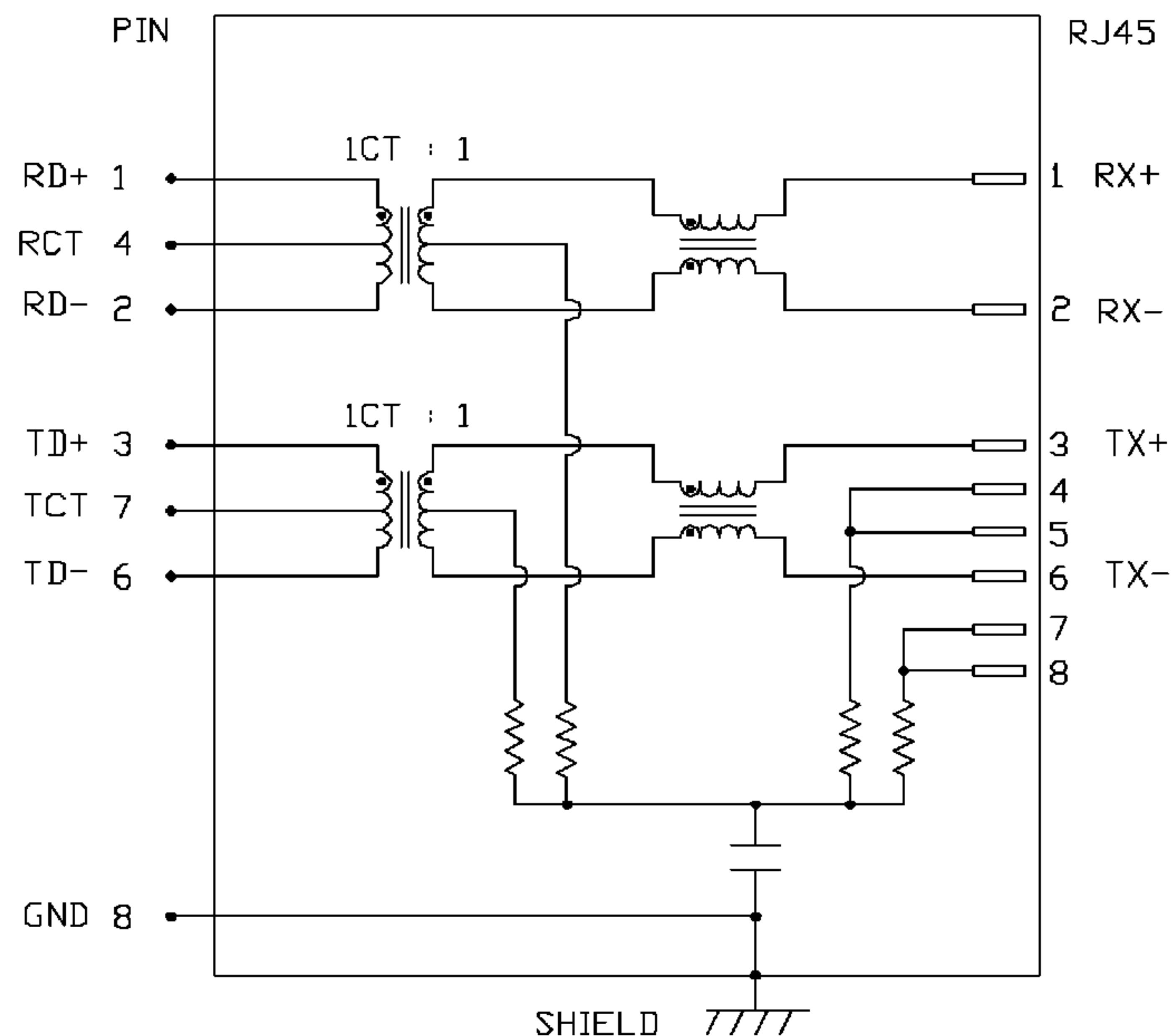


THE INFORMATION CONTAINED HEREIN IS CONSIDERED "PROPRIETARY" TO BEL FUSE INC. AND SHALL NOT BE COPIED, REPRODUCED OR DISCLOSED WITHOUT THE WRITTEN APPROVAL OF BEL FUSE INC.

ELECTRICAL CHARACTERISTICS @ 25°C

RETURN LOSS (MIN.)	
1MHz-30MHz	-18 dB
60MHz-80MHz	-12 dB
INSERTION LOSS	
100KHz TO 100MHz	-1.1 dB
DCL @ 0.1V, 100KHz	
8mA DC BIAS	350µH MIN.
TURNS RATIO	1CT : 1CT ±3%
XTALK	
100KHz TO 100MHz	-35 dB MIN.

SCHEMATIC



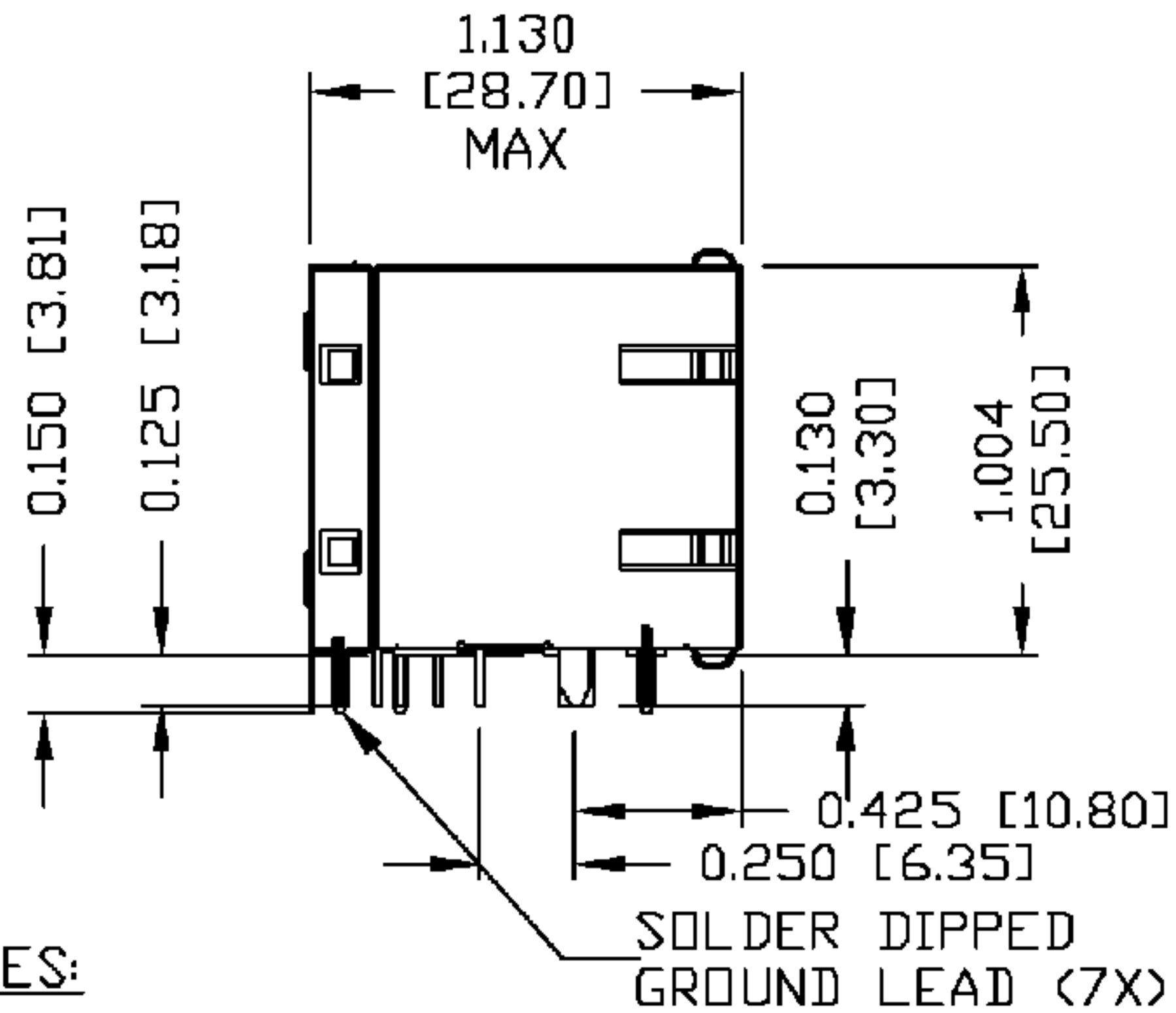
DRWN	DATE	TITLE
DE	12-11-04	2X6 MagJack™ (4 Cores)
CHKD	DATE	
CHUNG	12-11-04	

PART NO. / DRAWING NO.	0811-2X6T-28
FILE NAME	08112X6T28F.DWG

STANDARD DIM.	[ ] METRIC DIM. AS REFERENCE
TOL. IN INCH	UNIT : INCH [mm] REV. : F
.X	SCALE : N/A SIZE : A4
.XX	PAGE : 2
.XXX	



THE INFORMATION CONTAINED HEREIN IS CONSIDERED "PROPRIETARY" TO BEL FUSE INC. AND SHALL NOT BE COPIED, REPRODUCED OR DISCLOSED WITHOUT THE WRITTEN APPROVAL OF BEL FUSE INC.

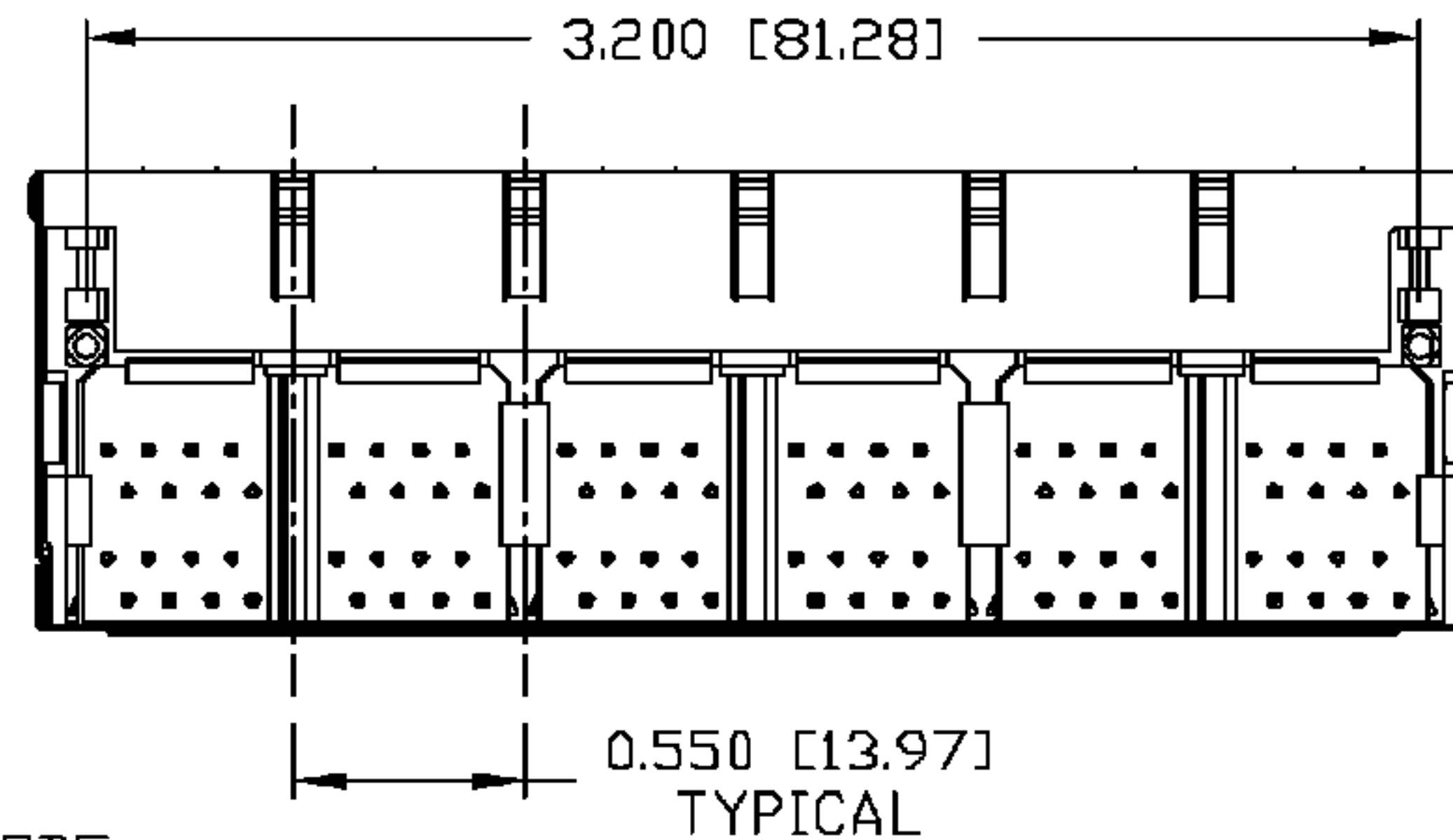
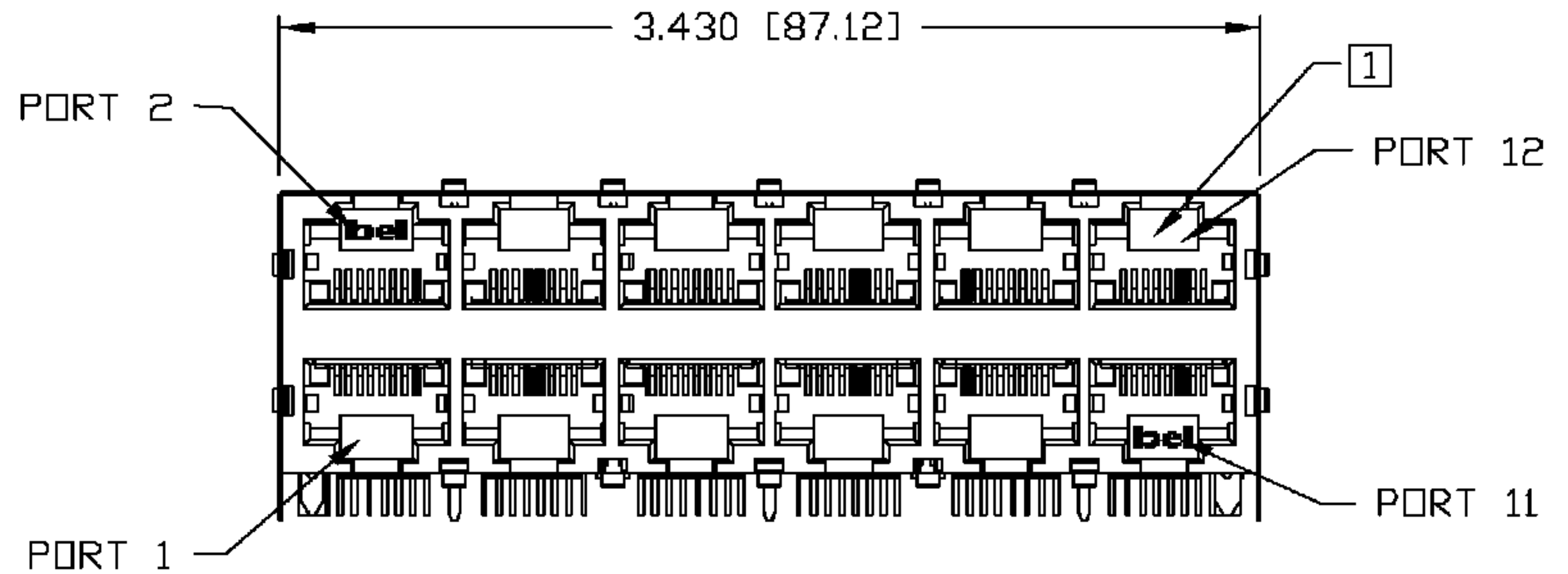
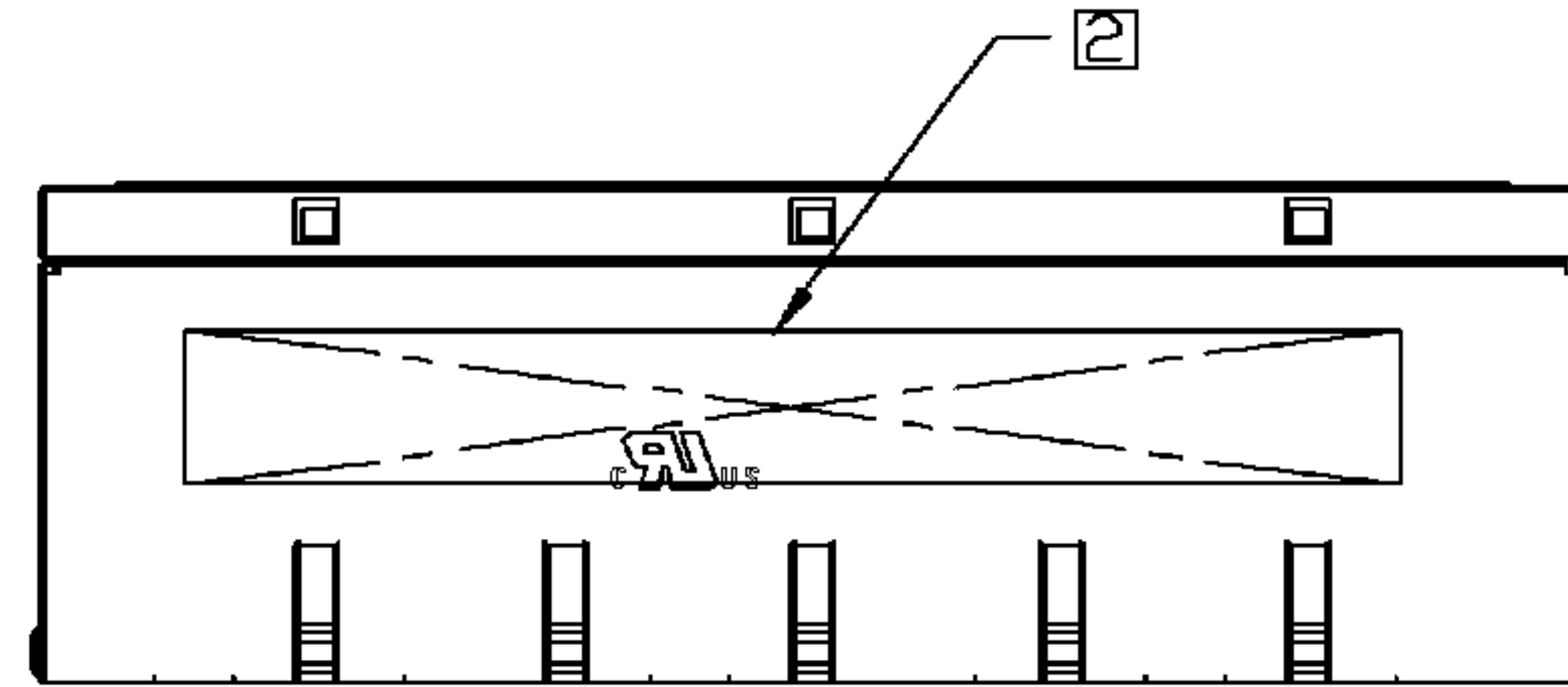


**NOTES:**

- PLASTIC HOUSING: THERMOPLASTIC PBT  
FLAMMABILITY RATING UL 94V-0
- CONTACT PLATING: 30 MICRO-INCH HARD GOLD PLATING
- OUTPUT PINS: TIN-COATED COPPER WIRE, DIA 0.018 INCH.
- SOLDERABILITY: PER MIL STD. 202, METHOD 208.
- METAL SHIELD: NICKEL PLATED COPPER ALLOY.  
(ALL GROUND LEADS ARE SOLDER DIPPED)

- [1] JACK CAVITY CONFORMS TO FCC RULES AND REGULATIONS, PART 68 SUBPART F.
- [2] MARK PART WITH MFG LOGO, MFG NAME, PART NUMBER, AND DATE CODE.

UL RECOGNIZED - FILE #E196366 AND E169987.



DRWN	DATE	TITLE
SALLY	12-11-04	2X6 MagJack™
CHKD	DATE	(4 Cores)
TAD	12-11-04	

PART NO. / DRAWING NO.	0811-2X6T-28
FILE NAME	08112X6T28F.DWG

STANDARD DIM.	[ ] METRIC DIM. AS REFERENCE
TOL. IN INCH	UNIT : INCH [mm] REV. : F
.X	SCALE : N/A SIZE : A4
.XX	⊕ - - - PAGE : 3
.XXX	±0.010

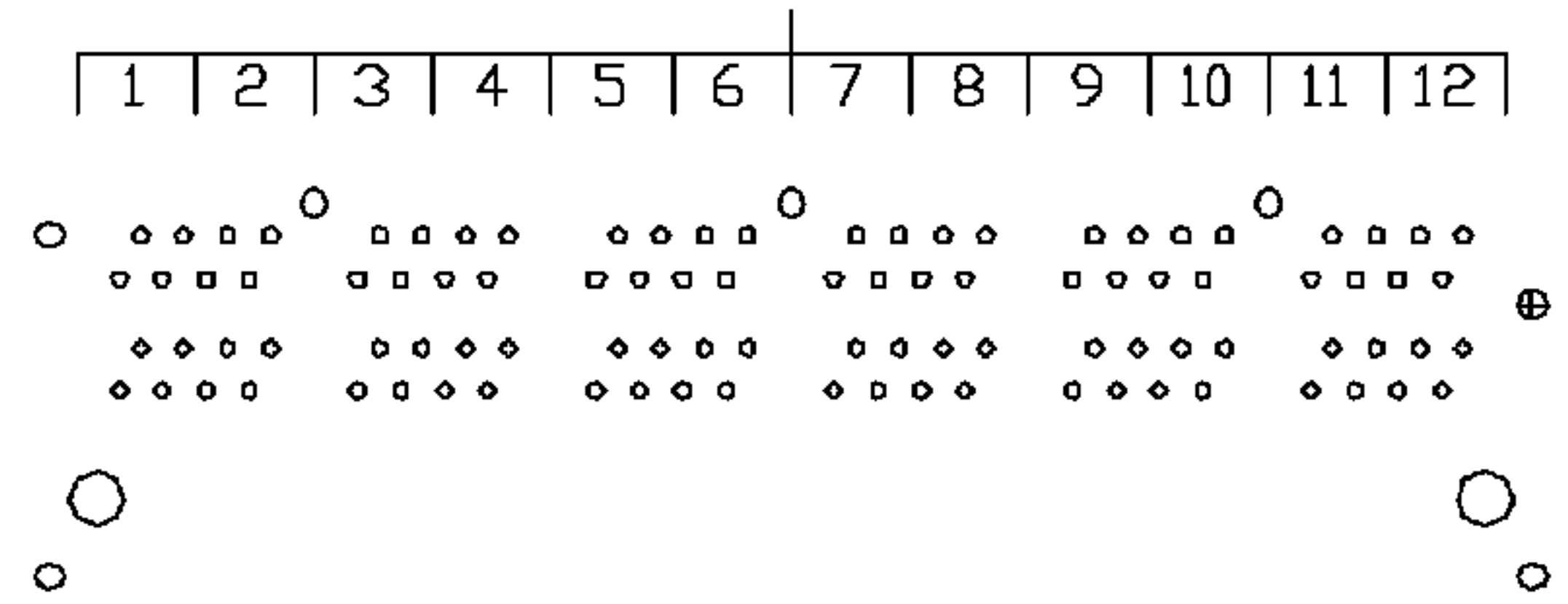
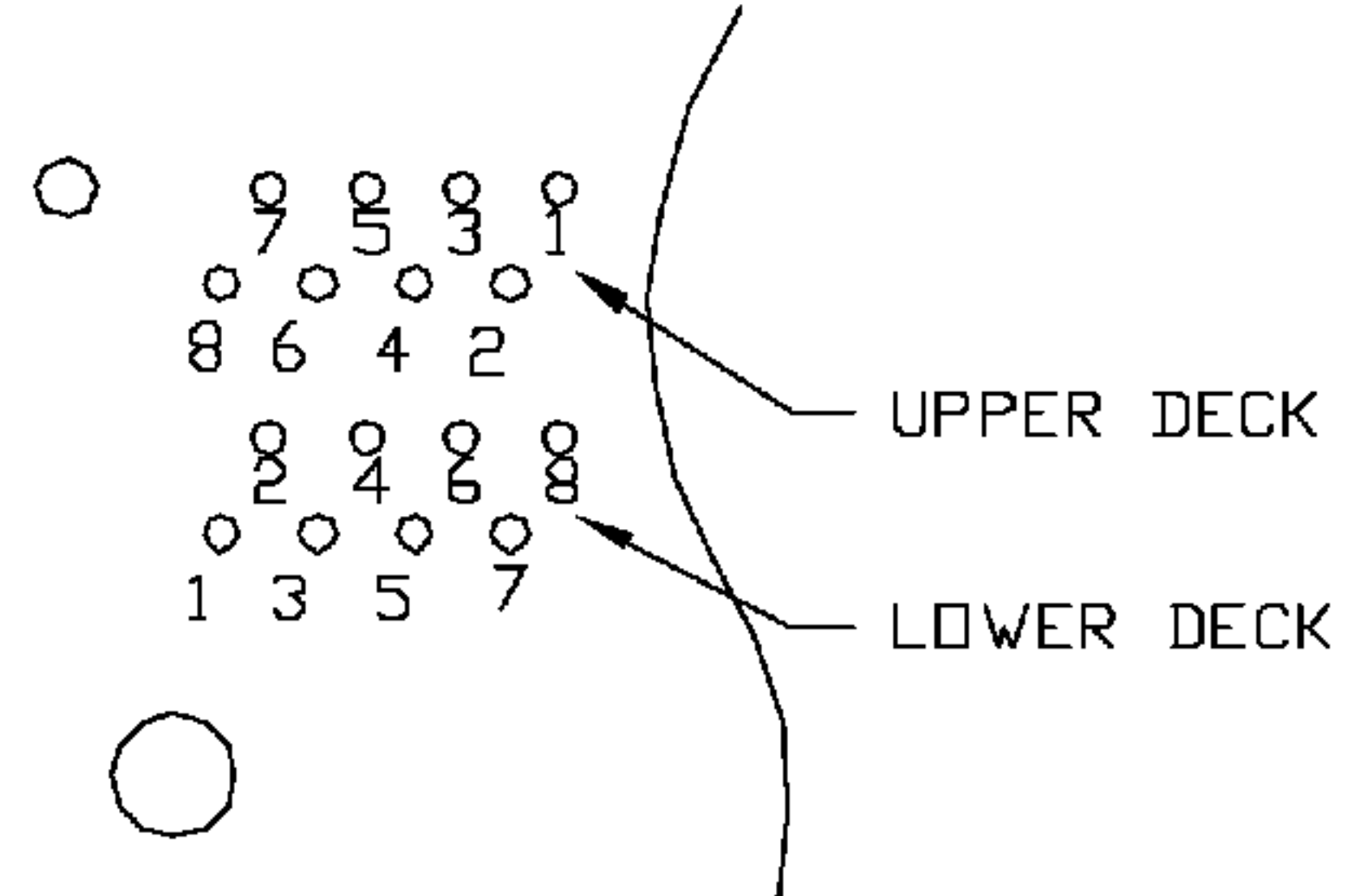
UNIT : INCH [mm]	REV. : F
SCALE : N/A	SIZE : A4
⊕ - - -	PAGE : 3

UNIT : INCH [mm]	REV. : F
SCALE : N/A	SIZE : A4
⊕ - - -	PAGE : 3



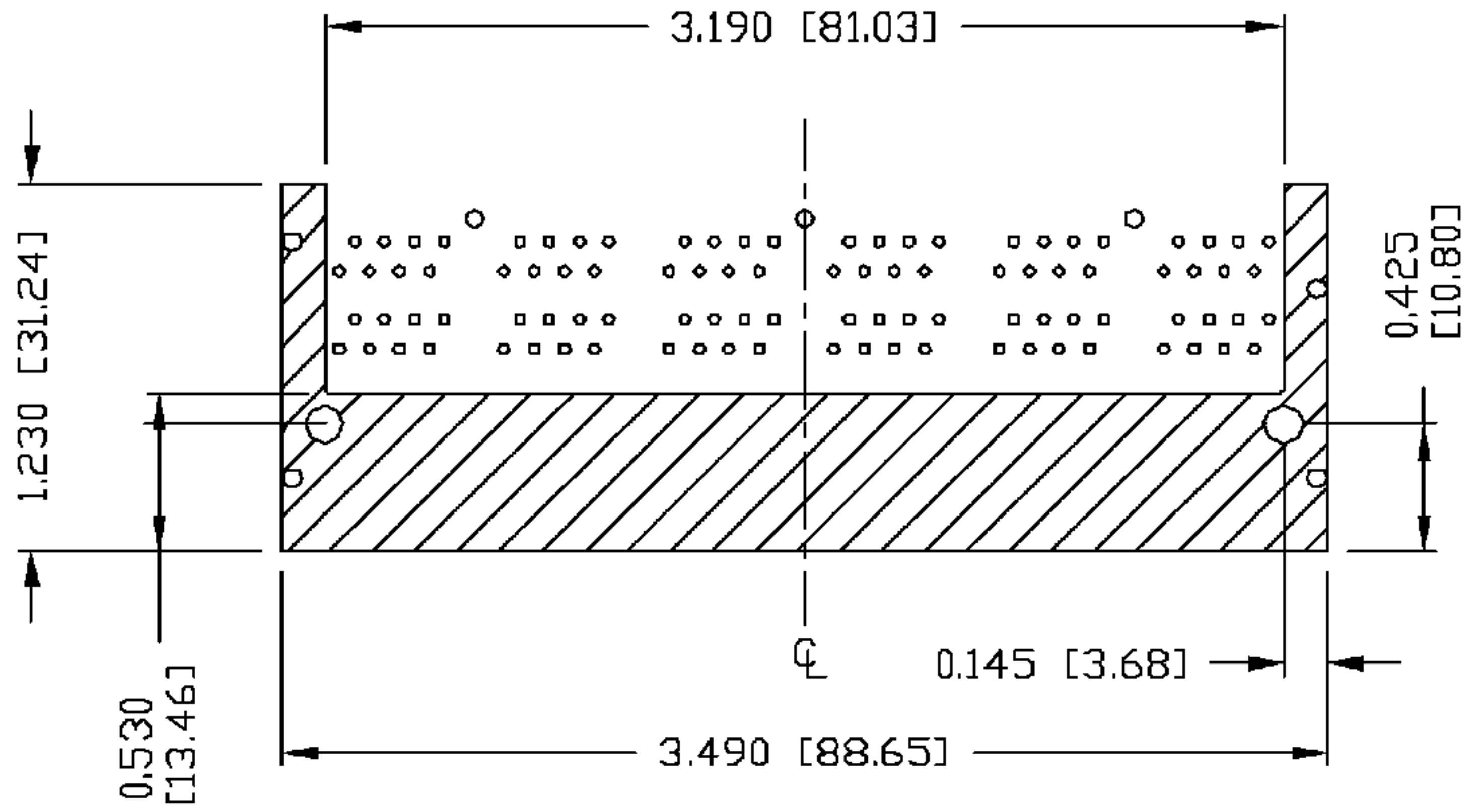
THE INFORMATION CONTAINED HEREIN IS CONSIDERED "PROPRIETARY" TO BEL FUSE INC. AND SHALL NOT BE COPIED, REPRODUCED OR DISCLOSED WITHOUT THE WRITTEN APPROVAL OF BEL FUSE INC.

PORT ASSIGNMENT  
(COMPONENT SIDE VIEW)



PIN-OUT INFORMATION  
(COMPONENT SIDE VIEW)

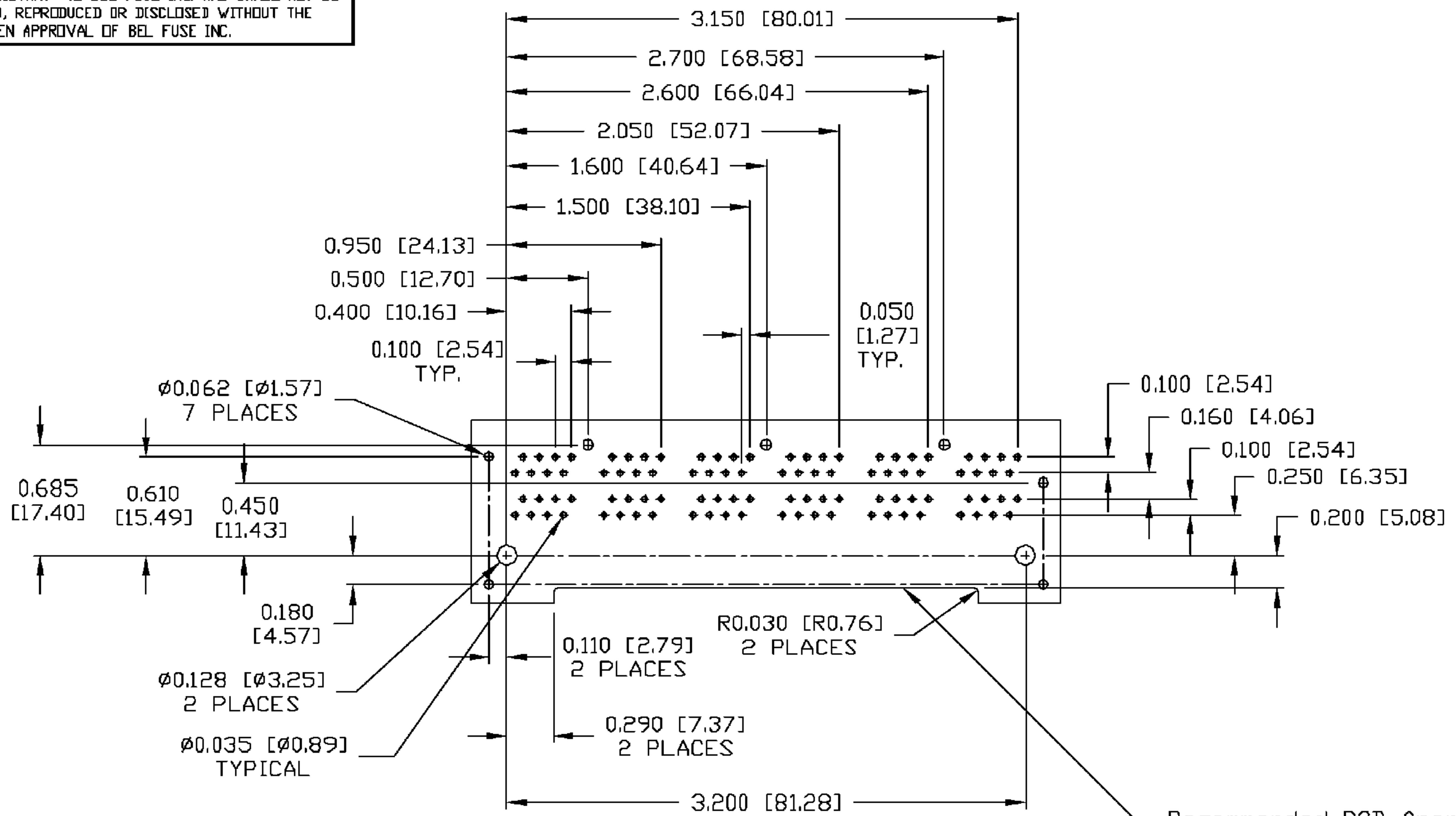
8	GND
7	TCT
6	TD-
5	NC
4	RCT
3	TD +
2	RD -
1	RD +



THE SHADED AREA OF BOTTOM SIDE OF PART MAY BE COVERED BY METAL SHIELD.

DRWN SALLY	DATE 12-11-04	TITLE 2X6 MagJack™ (4 Cores)	PART NO. / DRAWING NO. 0811-2X6T-28	STANDARD DIM.		[ ] METRIC DIM. AS REFERENCE		REV. : F	SIZE : A4	PAGE : 4	 COMPONENTS CONNECTED PLANET
	DATE 12-11-04			FILE NAME 08112X6T28F.DWG	TOL. IN INCH	UNIT : INCH [mm]	SCALE : N/A				
CHKD TAQ				.X							
				.XX							
				.XXX	±0.010						

THE INFORMATION CONTAINED HEREIN IS CONSIDERED "PROPRIETARY" TO BEL FUSE INC. AND SHALL NOT BE COPIED, REPRODUCED OR DISCLOSED WITHOUT THE WRITTEN APPROVAL OF BEL FUSE INC.



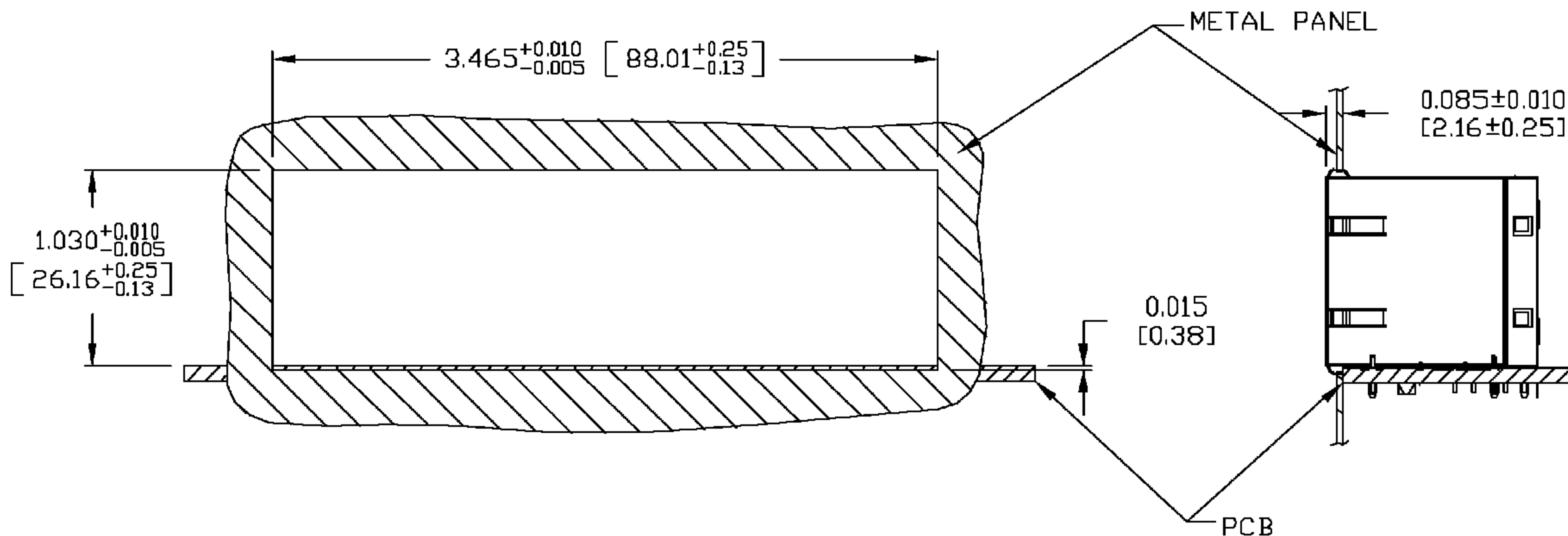
PC BOARD LAYOUT VIEWED FROM COMPONENT SIDE

Recommended PCB front edge cutout. The bottom shield ground tabs (front) should not be seated on the top of the PCB.

<b>DRWN</b> SALLY <b>DATE</b> 12-11-04 <b>TITLE</b> 2X6 MagJack™ (4 Cores)		<b>PART NO. / DRAWING NO.</b> 0811-2X6T-28 <b>FILE NAME</b> 08112X6T28F.DWG		<b>STANDARD DIM.</b> TOL. IN INCH .X .XX .XXX ±0.010	<b>[ ] METRIC DIM. AS REFERENCE</b> UNIT : INCH [mm] SCALE : N/A 	<b>REV. :</b> F <b>SIZE :</b> A4 <b>PAGE :</b> 5	
<b>CHKD</b> TAO <b>DATE</b> 12-11-04							

THE INFORMATION CONTAINED HEREIN IS CONSIDERED "PROPRIETARY" TO BEL FUSE INC. AND SHALL NOT BE COPIED, REPRODUCED OR DISCLOSED WITHOUT THE WRITTEN APPROVAL OF BEL FUSE INC.

SUGGESTED PANEL OPENING



NOTE:

THE DISTANCE OF PANEL INSIDE SURFACE RELATIVE TO FRONT SURFACE OF PART IS ONLY A SUGGESTION. IN CASE THIS DISTANCE IS DIFFERENT, THE REQUIRED PANEL OPENING DIMENSIONS CHANGE ACCORDINGLY.

PACKING INFORMATION

PACKING TRAY : 0200-9999-A9 (TOP)  
0200-9999-A8 (BOTTOM)

PACKING QUANTITY : 15 PCS FINISHED GOODS PER TRAY  
7 TRAY (105 PCS FINISHED GOODS) PER CARTON BOX

NOTE : CARDBOARDS ARE PLACED BETWEEN LAYERS OF PACKING TRAY INSIDE CARTON BOX  
(INCLUDE THE UPPERMOST AND LOWERMOST TRAY)

DRWN		DATE	TITLE	PART NO. / DRAWING NO.	STANDARD DIM. TOL. IN INCH	[ ] METRIC DIM. AS REFERENCE	REV. :
SALLY		12-11-04	2X6 MagJack™ (4 Cores)	0811-2X6T-28	.X	UNIT : INCH [mm]	F
CHKD		DATE		FILE NAME	.XX	SCALE : N/A	SIZE : A4
TAO		12-11-04		08112X6T28F.DWG	.XXX ±0.010		PAGE : 6

FORM NO. - ENG020B2001

