

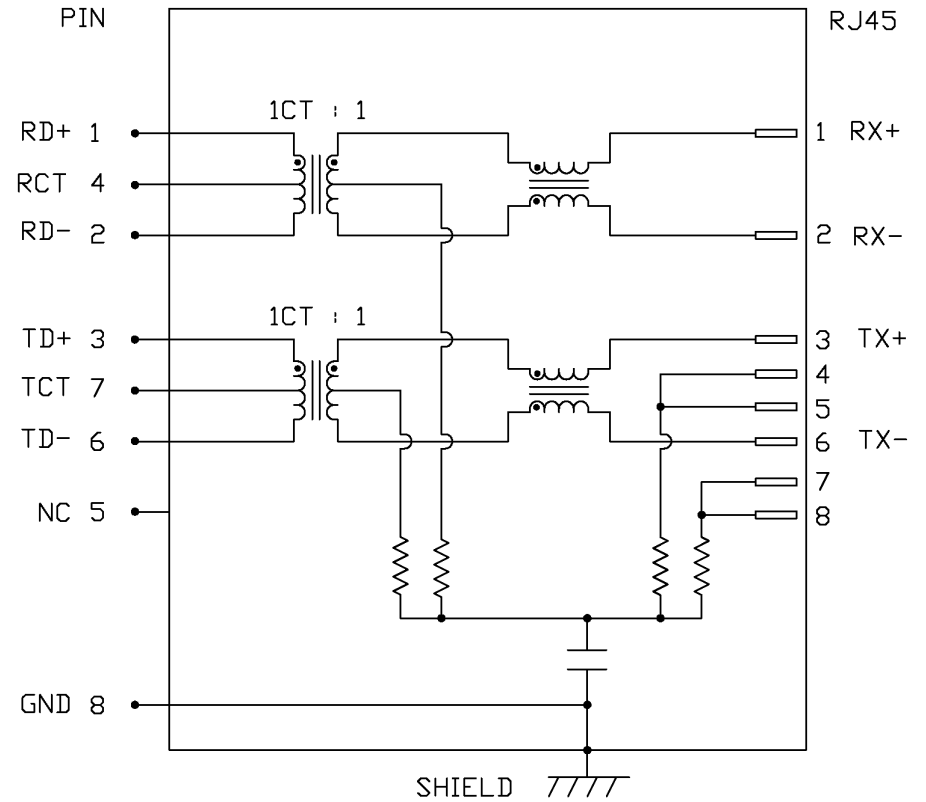
THE INFORMATION CONTAINED HEREIN IS CONSIDERED 'PROPRIETARY' TO BEL FUSE INC. AND SHALL NOT BE COPIED, REPRODUCED OR DISCLOSED WITHOUT THE WRITTEN APPROVAL OF BEL FUSE INC.



SCHEMATIC

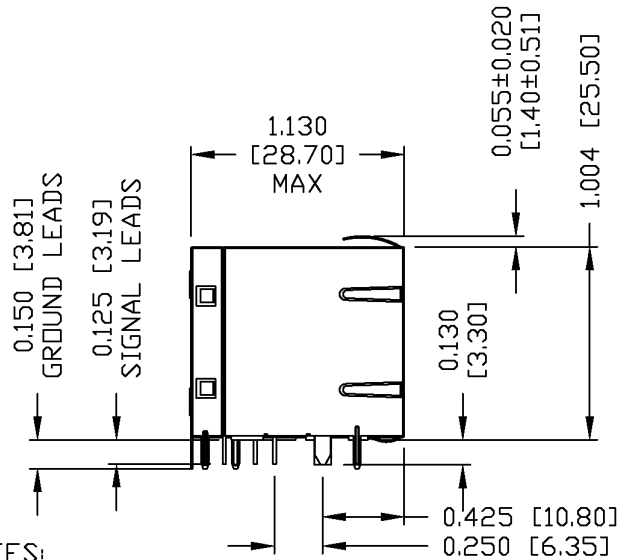
ELECTRICAL CHARACTERISTICS @ 25°C

RETURN LOSS (MIN.)		
1MHz-30MHz	-18 dB	
60MHz-80MHz	-12 dB	
INSERTION LOSS		
100KHz TO 100MHz	-1.1 dB	
□CL @ 0.1V, 100KHz		
8mA DC BIAS	350μH MIN.	
TURNS RATIO	1CT : 1CT ±3%	
CM TO CM REJ		
100kHz - 100MHz	-35 dB MIN	
CM TO DM REJ		
100kHz - 100MHz	-40 dB MIN	
XTALK		
100KHz TO 100MHz	-35 dB MIN.	



ORIGINATED BY CHUNG	DATE 11-08-05	TITLE 2X6 MagJack® (4 Cores) 0811-2X6R-28-F	PART NO. / DRAWING NO. 08112X6R28-F		STANDARD DIM. TOL. IN INCH		[] METRIC DIM. AS REFERENCE		bel COMPONENTS FOR A CONNECTED PLANET
			FILE NAME 08112X6R28-FA.DWG		.X		UNIT : INCH [mm]	REV. : A	
DRAWN BY DE	DATE 11-08-05				.XX		SCALE : N/A	SIZE : A4	
					.XXX		⊕	PAGE : 2	

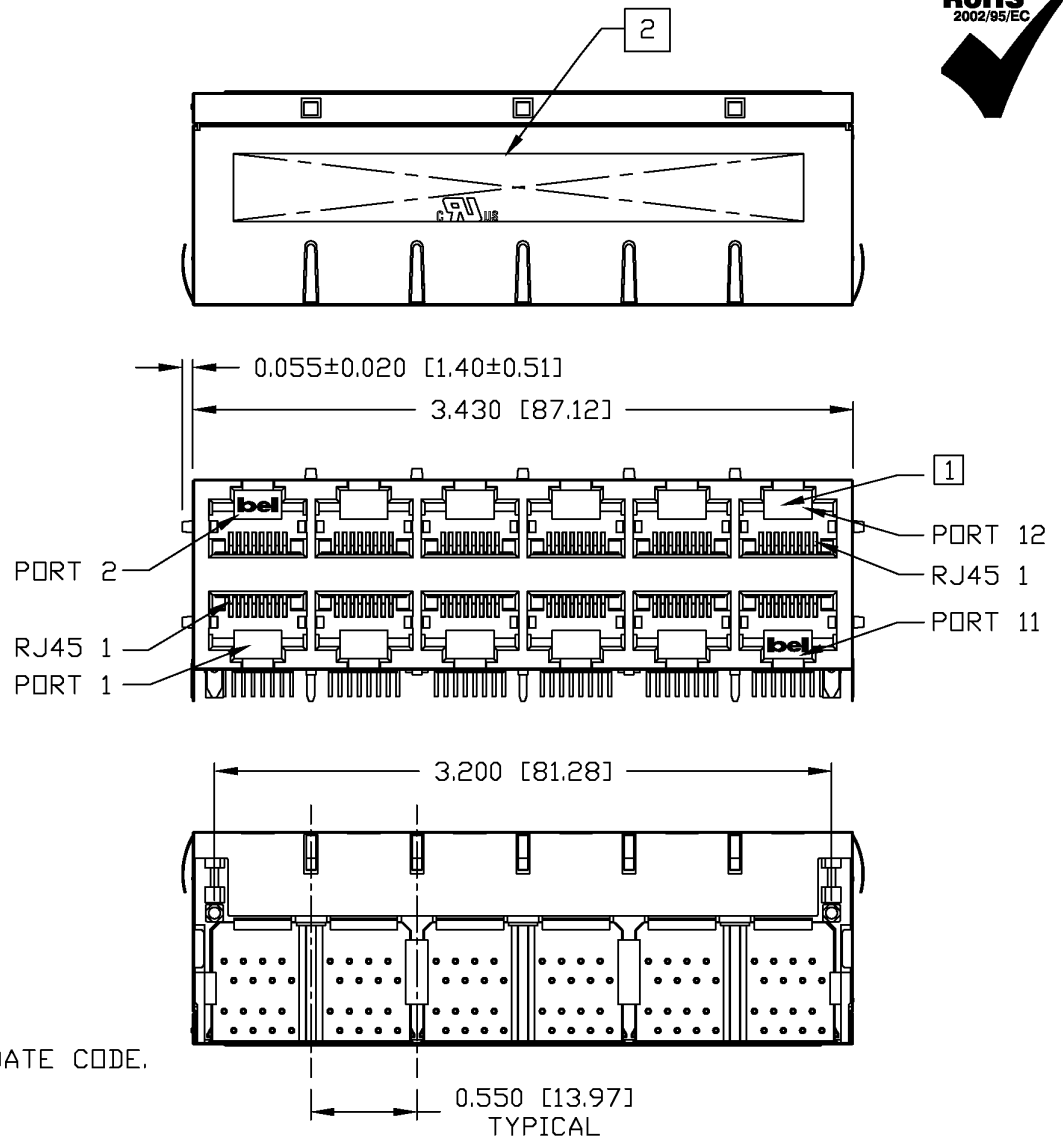
THE INFORMATION CONTAINED HEREIN IS CONSIDERED 'PROPRIETARY' TO BEL FUSE INC. AND SHALL NOT BE COPIED, REPRODUCED OR DISCLOSED WITHOUT THE WRITTEN APPROVAL OF BEL FUSE INC.



NOTES:
 PLASTIC HOUSING: THERMOPLASTIC PBT
 FLAMMABILITY RATING UL 94V-0
 CONTACT PLATING: 30 MICRO-INCH HARD GOLD PLATING
 OUTPUT PINS: TIN-COATED COPPER WIRE, DIA 0.018 INCH.
 METAL SHIELD: NICKEL PLATED COPPER ALLOY.
 (ALL GROUND LEADS ARE SOLDER DIPPED)

1. JACK CAVITY CONFORMS TO FCC RULES AND REGULATIONS, PART 68 SUBPART F.
2. MARK PART WITH MFG LOGO, MFG NAME, PART NUMBER, AND DATE CODE.
3. RoHS COMPLIANCE, PER EU DIRECTIVE 2002/95/EC.

c **RoHS** us UL RECOGNIZED - FILE #E196366 AND E169987.



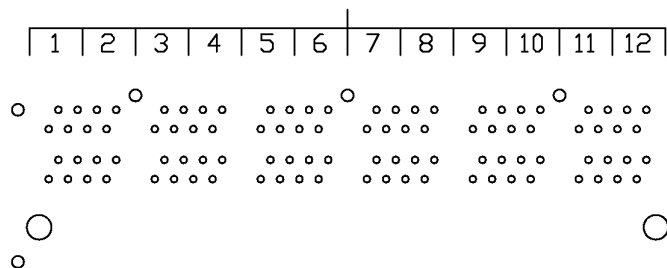
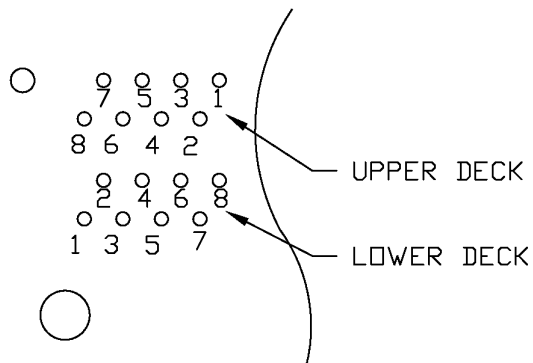
ORIGINATED BY	DATE	TITLE	PART NO. / DRAWING NO.		STANDARD DIM. TOL. IN INCH		[] METRIC DIM. AS REFERENCE	
			FILE NAME		.X		UNIT : INCH [mm]	REV. : A
BILL	11-08-05	2X6 MagJack® (4 Cores)	08112X6R28-F		.XX		SCALE : N/A	SIZE : A4
DRAWN BY	DATE		0811-2X6R-28-F	08112X6R28-FA.DWG	.XXX	±0.010	⊕	PAGE : 3
TING	11-08-05							



THE INFORMATION CONTAINED HEREIN IS CONSIDERED 'PROPRIETARY' TO BEL FUSE INC. AND SHALL NOT BE COPIED, REPRODUCED OR DISCLOSED WITHOUT THE WRITTEN APPROVAL OF BEL FUSE INC.

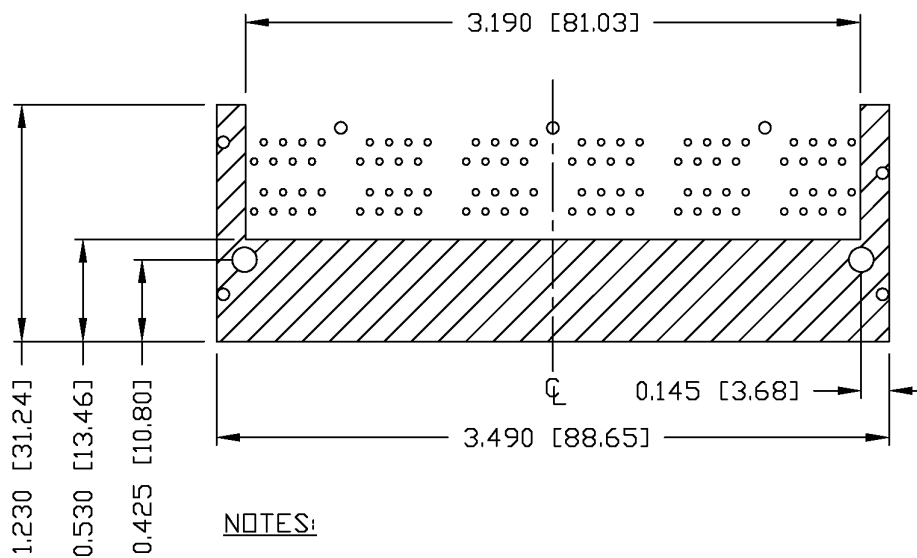


PORT ASSIGNMENT
(COMPONENT SIDE VIEW)



PIN-OUT INFORMATION
(COMPONENT SIDE VIEW)

8	GND
7	TCT
6	TD-
5	NC
4	RCT
3	TD +
2	RD -
1	RD +



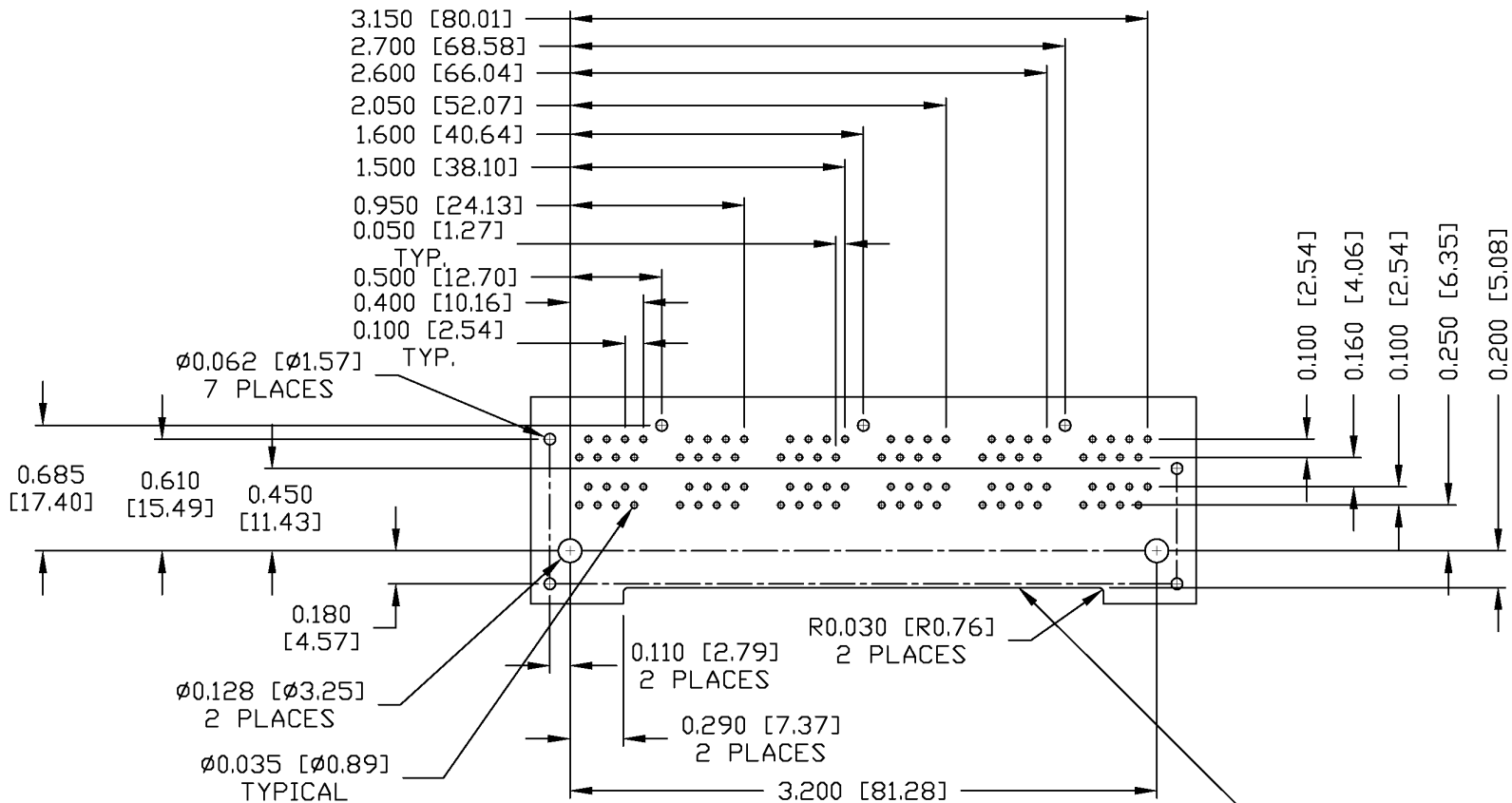
NOTES:

THE SHADED AREA ON THE CUSTOMER BOARD ARE RECOMMENDED TO BE CLEAR OFF ANY VIA HOLE OR COMPONENT PAD.

ORIGINATED BY BILL	DATE 11-08-05	TITLE 2X6 MagJack® (4 Cores) 0811-2X6R-28-F	PART NO. / DRAWING NO. 08112X6R28-F		STANDARD DIM. TOL. IN INCH		[] METRIC DIM. AS REFERENCE	
			FILE NAME 08112X6R28-FA.DWG		.X		UNIT : INCH [mm]	REV. : A
DRAWN BY	DATE				.XX		SCALE : N/A	SIZE : A4
TING	11-08-05				.XXX	±0.004		PAGE : 4



THE INFORMATION CONTAINED HEREIN IS CONSIDERED 'PROPRIETARY' TO BEL FUSE INC. AND SHALL NOT BE COPIED, REPRODUCED OR DISCLOSED WITHOUT THE WRITTEN APPROVAL OF BEL FUSE INC.



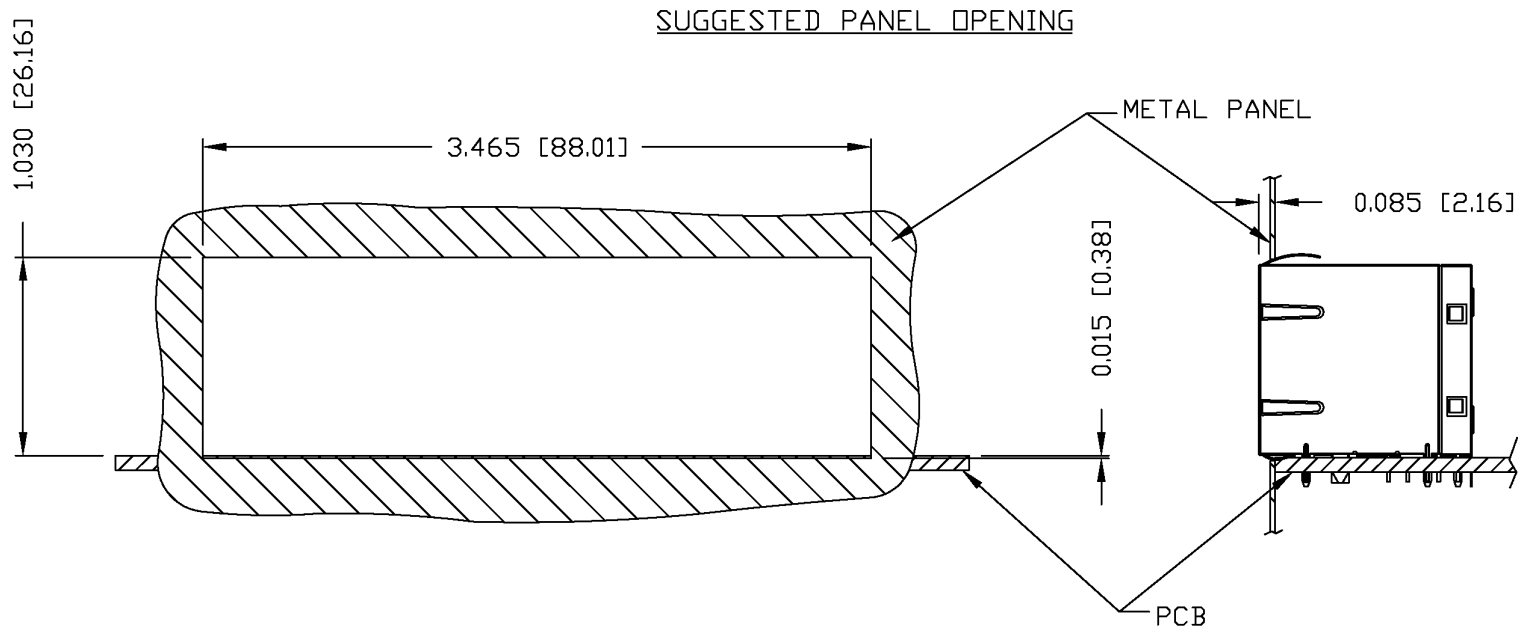
SUGGESTED FOOTPRINT
(COMPONENT SIDE VIEW)

Recommended PCB front edge cutout. The bottom shield ground tabs (front) should not be seated on the top of the PCB.

ORIGINATED BY BILL	DATE 11-08-05	TITLE 2X6 MagJack® (4 Cores) 0811-2X6R-28-F	PART NO. / DRAWING NO. 08112X6R28-F		STANDARD DIM. TOL. IN INCH		[] METRIC DIM. AS REFERENCE	
			FILE NAME 08112X6R28-FA.DWG		.X .XX .XXX	±0.004	UNIT : INCH [mm]	REV. : A
DRAWN BY TING	DATE 11-08-05						SCALE : N/A	SIZE : A4
								PAGE : 5



THE INFORMATION CONTAINED HEREIN IS CONSIDERED 'PROPRIETARY' TO BEL FUSE INC. AND SHALL NOT BE COPIED, REPRODUCED OR DISCLOSED WITHOUT THE WRITTEN APPROVAL OF BEL FUSE INC.



NOTE:

THE DISTANCE OF PANEL INSIDE SURFACE RELATIVE TO FRONT SURFACE OF PART IS ONLY A SUGGESTION. IN CASE THIS DISTANCE IS DIFFERENT, THE REQUIRED PANEL OPENING DIMENSIONS CHANGE ACCORDINGLY.

PACKING INFORMATION

PACKING TRAY : 0200-9999-A9 (TOP)
 0200-9999-A8 (BOTTOM)
 PACKING QUANTITY : 15 PCS FINISHED GOODS PER TRAY
 7 TRAYS (105 PCS FINISHED GOODS) PER CARTON BOX

NOTE : CARDBOARDS ARE PLACED BETWEEN LAYERS OF PACKING TRAY INSIDE CARTON BOX (INCLUDE THE UPPERMOST AND LOWERMOST TRAY)

ORIGINATED BY BILL	DATE 11-08-05	TITLE 2X6 MagJack® (4 Cores)	PART NO. / DRAWING NO. 08112X6R28-F		STANDARD DIM. TOL. IN INCH		[] METRIC DIM. AS REFERENCE		bel COMPONENTS FOR A CONNECTED PLANET
			FILE NAME 08112X6R28-FA.DWG		.X		UNIT : INCH [mm]	REV. : A	
DRAWN BY TING	DATE 11-08-05				.XX		SCALE : N/A	SIZE : A4	
					.XXX	±0.004	⊕	PAGE : 6	