

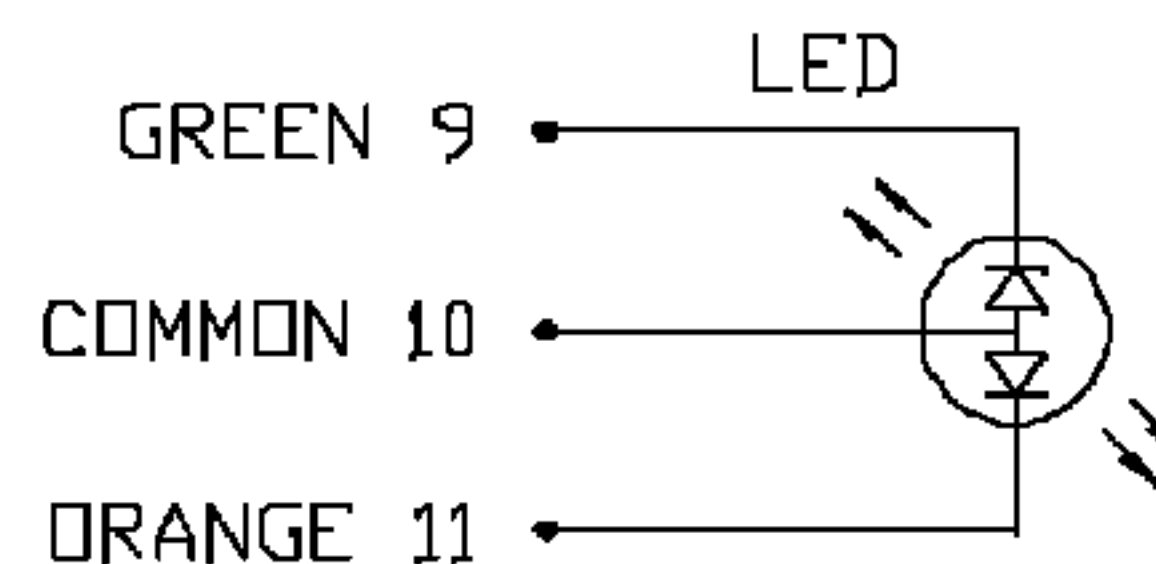
THE INFORMATION CONTAINED HEREIN IS CONSIDERED "PROPRIETARY" TO BEL FUSE INC, AND SHALL NOT BE COPIED, REPRODUCED OR DISCLOSED WITHOUT THE WRITTEN APPROVAL OF BEL FUSE INC.

LED POLARITY			
PIN 9	PIN 10	PIN 11	COLOR
-	+	/	GREEN
/	+	-	ORANGE

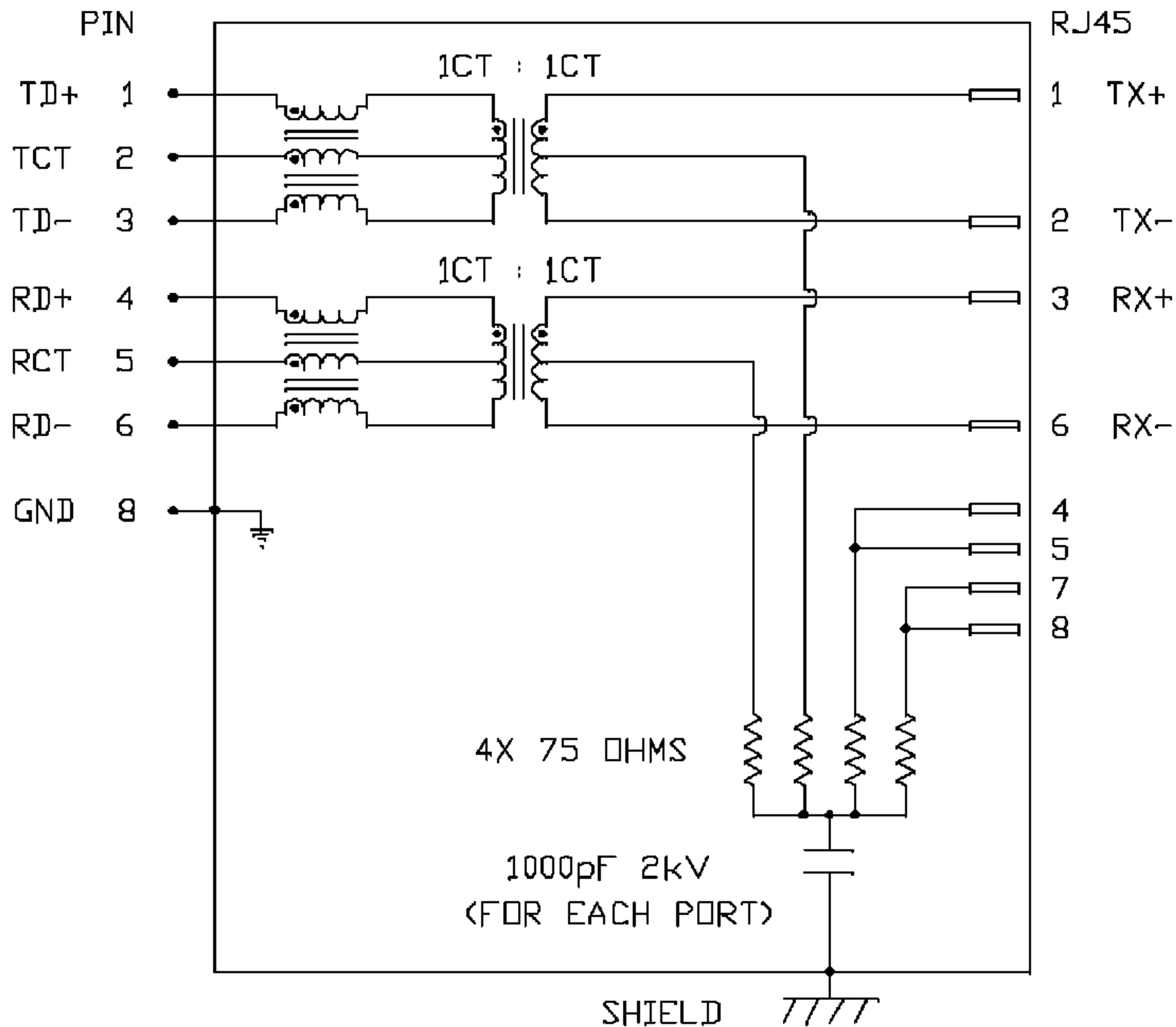
PRELIMINARY

ELECTRICAL CHARACTERISTICS @ 25°C

<p>URNS RATIO</p> <p>DCL @ 0.1V, 100KHz 8mA DC BIAS</p> <p>INSERTION LOSS</p> <p>100KHz TO 100MHz</p> <p>RETURN LOSS (MIN) @ 100MHZ ±15%</p> <p>1MHz-30MHz 60MHz-80MHz</p> <p>XTALK</p> <p>100KHz TO 100MHz</p> <p>HIPOT (Isolation Voltage):</p> <p>OPERATING TEMPERATURE:</p> <p>-40 TO +85°C</p> <p>LED</p> <p>VF (FORWARD VOLTAGE) IF=20mA</p> <p>YELLOW GREEN 2.2V TYP. AMBER 2.1V TYP.</p> <p>LD (DOMINANT WAVELENGTH) IF=20mA</p> <p>YELLOW GREEN 570nm TYP. AMBER 607nm TYP.</p>	<p>1CT : 1CT ±3%</p> <p>350µH MIN.</p> <p>-1.1 dB MAX</p> <p>-18 dB -12 dB</p> <p>-35 dB MIN.</p> <p>1500 Vrms or 2250VDC</p>
--	---



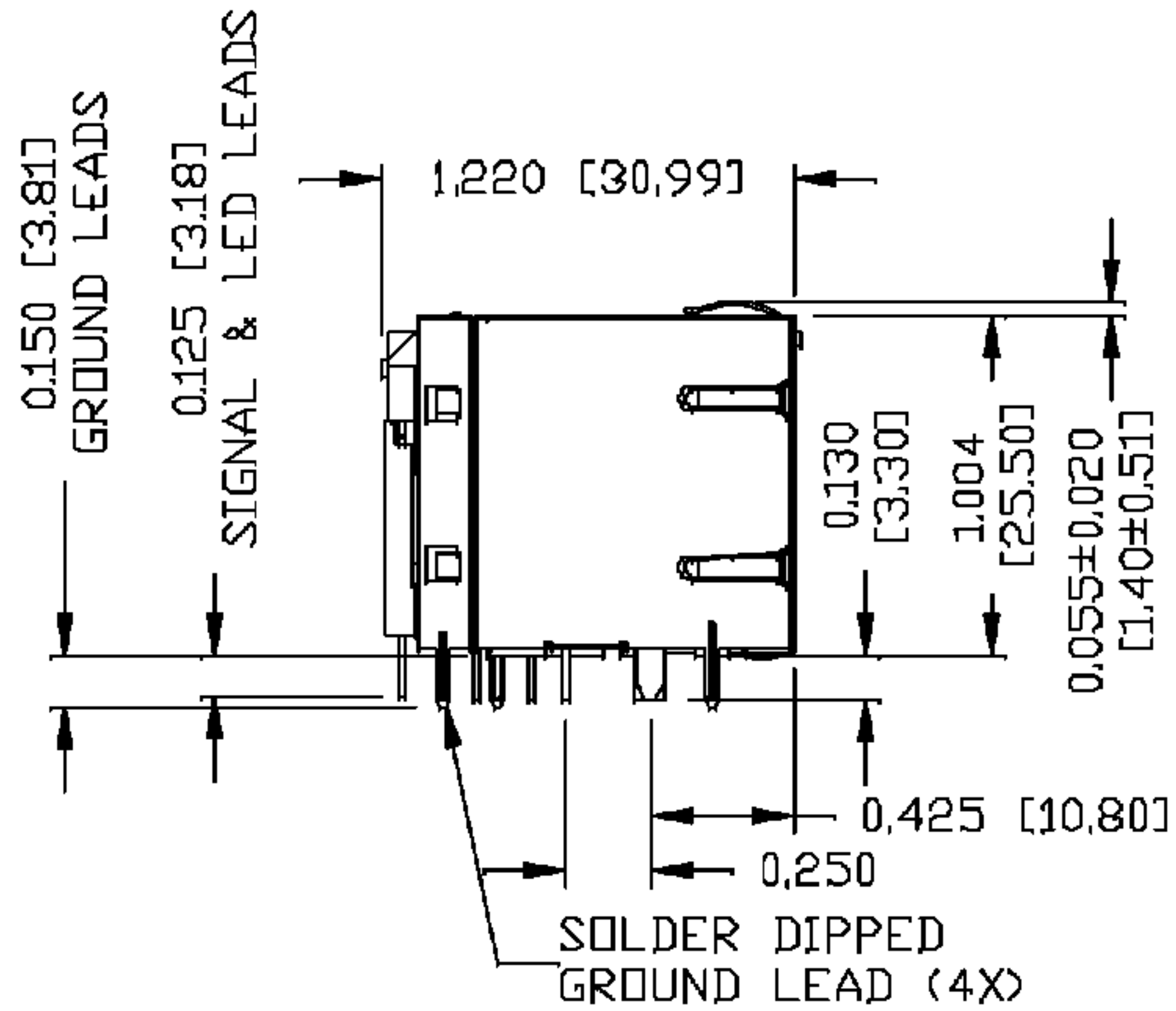
SCHEMATIC



ORIGINATED BY	DATE	TITLE	PART NO. / DRAWING NO.	STANDARD DIM.	[ ] METRIC DIM. AS REFERENCE		
CHUNG	12-12-06	2X4 MagJack ©	0810-2H4R-N9	TOL. IN INCH	UNIT : INCH [mm]		REV. : PC
DRAWN BY	DATE		FILE NAME	X	SCALE : N/A		SIZE : A4
DE	12-12-06		08102H4RN9PC.DWG	XX	⊕		PAGE : 2
					XXX		

THE INFORMATION CONTAINED HEREIN IS CONSIDERED "PROPRIETARY" TO BEL FUSE INC, AND SHALL NOT BE COPIED, REPRODUCED OR DISCLOSED WITHOUT THE WRITTEN APPROVAL OF BEL FUSE INC.

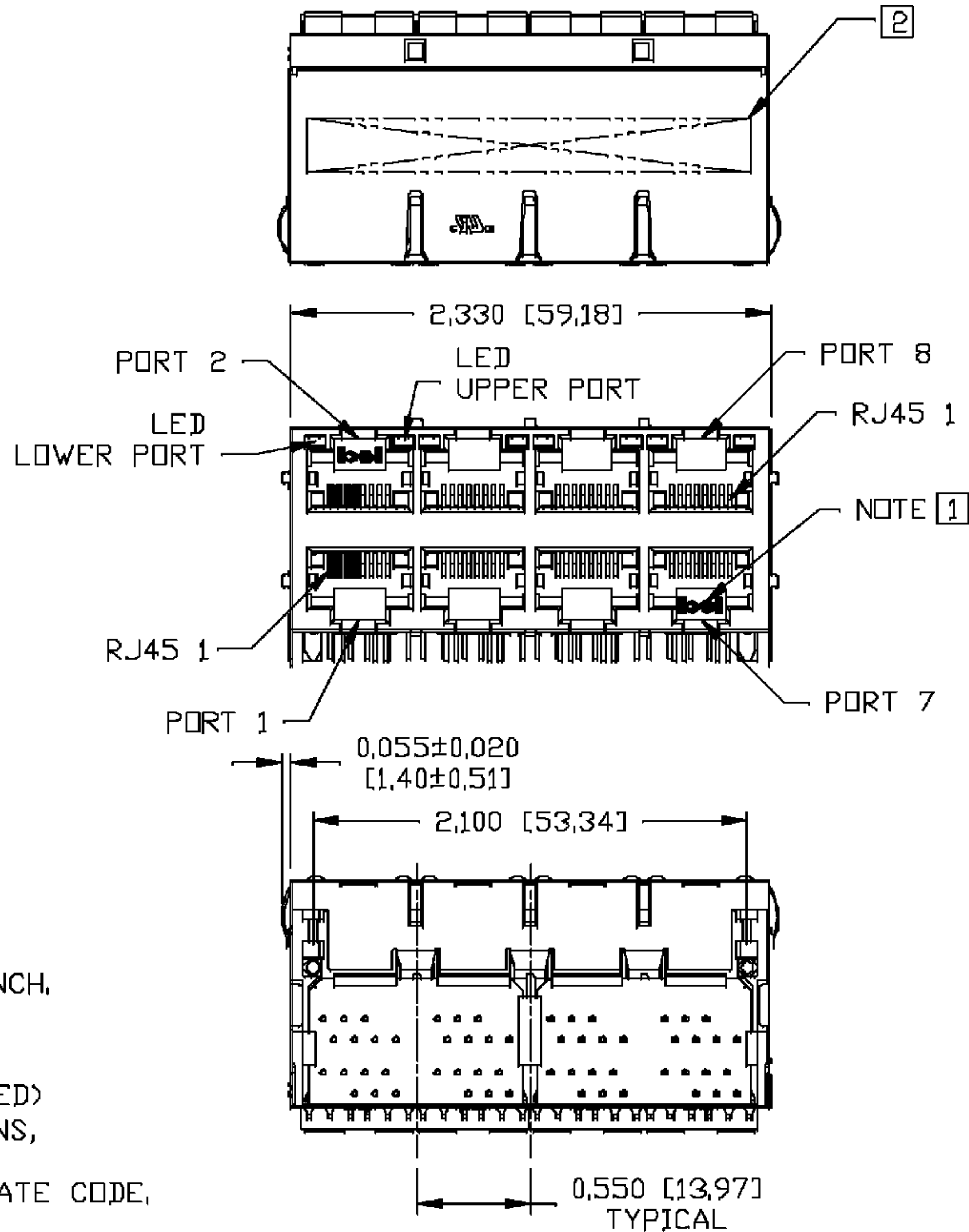
PRELIMINARY



NOTES:

- PLASTIC HOUSING: THERMOPLASTIC PBT  
 FLAMMABILITY RATING UL 94V-0
- CONTACT PLATING: 30 MICRO-INCH HARD GOLD PLATING
- OUTPUT PINS: TIN-COATED COPPER WIRE, DIA 0.018 INCH.
- SOLDERABILITY: PER MIL STD, 202, METHOD 208.
- METAL SHIELD: NICKEL PLATED COPPER ALLOY.  
 (ALL GROUND LEADS ARE SOLDER DIPPED)

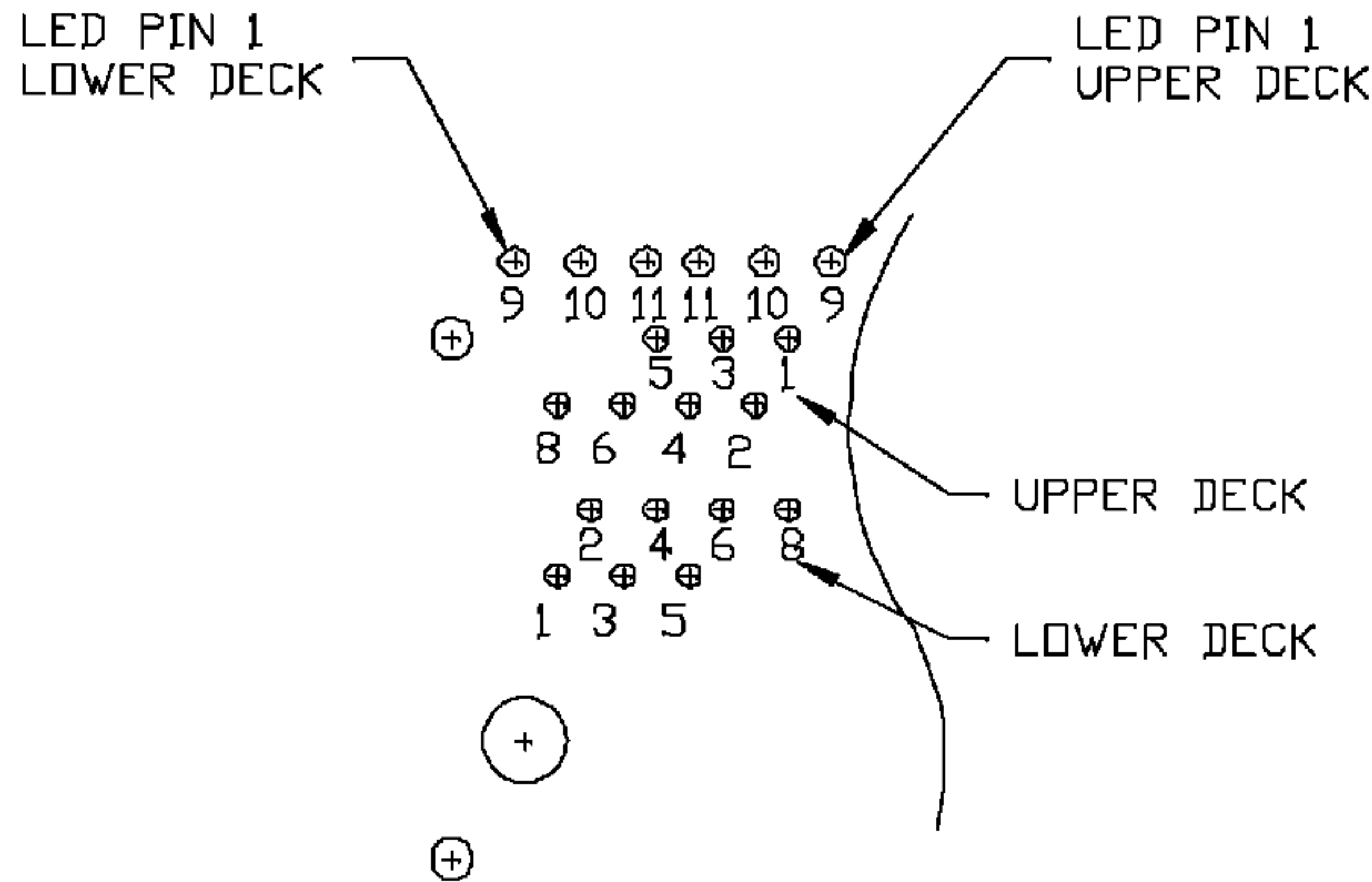
- [1] JACK CAVITY CONFORMS TO FCC RULES AND REGULATIONS, PART 68 SUBPART F.
  - [2] MARK PART WITH MFG LOGO, NAME, PART NUMBER AND DATE CODE.
- UL** RECOGNIZED - FILE #E196366 AND E169987.



ORIGINATED BY	DATE	TITLE	PART NO. / DRAWING NO.	STANDARD DIM. TOL. IN INCH	[ ] METRIC DIM. AS REFERENCE	 COMPONENTS MANUFACTURED	
CHRIS/BILL	12-12-06	2X4 MagJack®	0810-2H4R-N9	X	UNIT : INCH [mm]		REV. : PC
DRAWN BY	DATE		FILE NAME	XX	SCALE : N/A		SIZE : A4
CECILY	12-12-06		08102H4RN9PC.DWG	XXX ±0.010	 PAGE : 3		

THE INFORMATION CONTAINED HEREIN IS CONSIDERED 'PROPRIETARY' TO BEL FUSE INC, AND SHALL NOT BE COPIED, REPRODUCED OR DISCLOSED WITHOUT THE WRITTEN APPROVAL OF BEL FUSE INC.

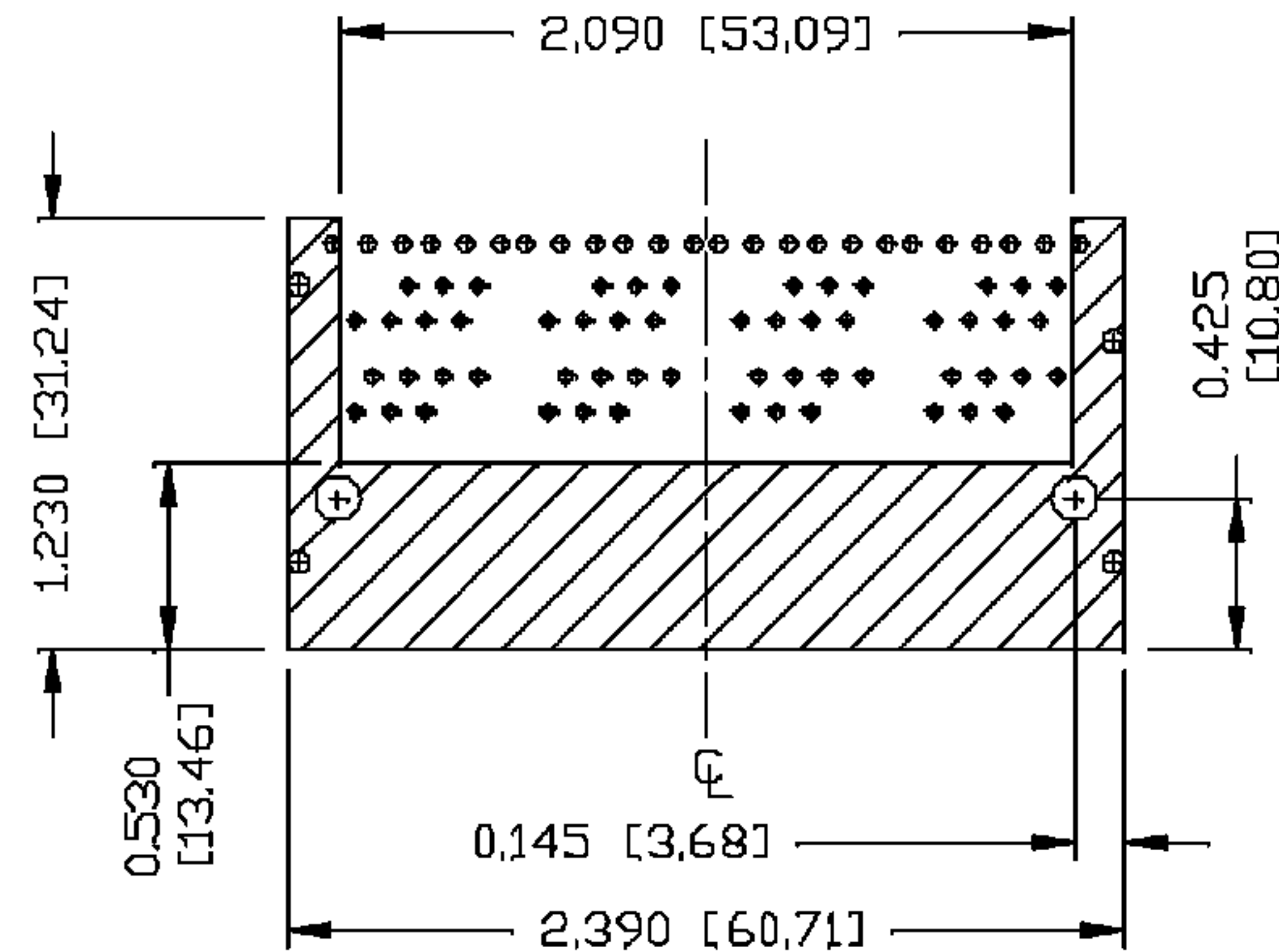
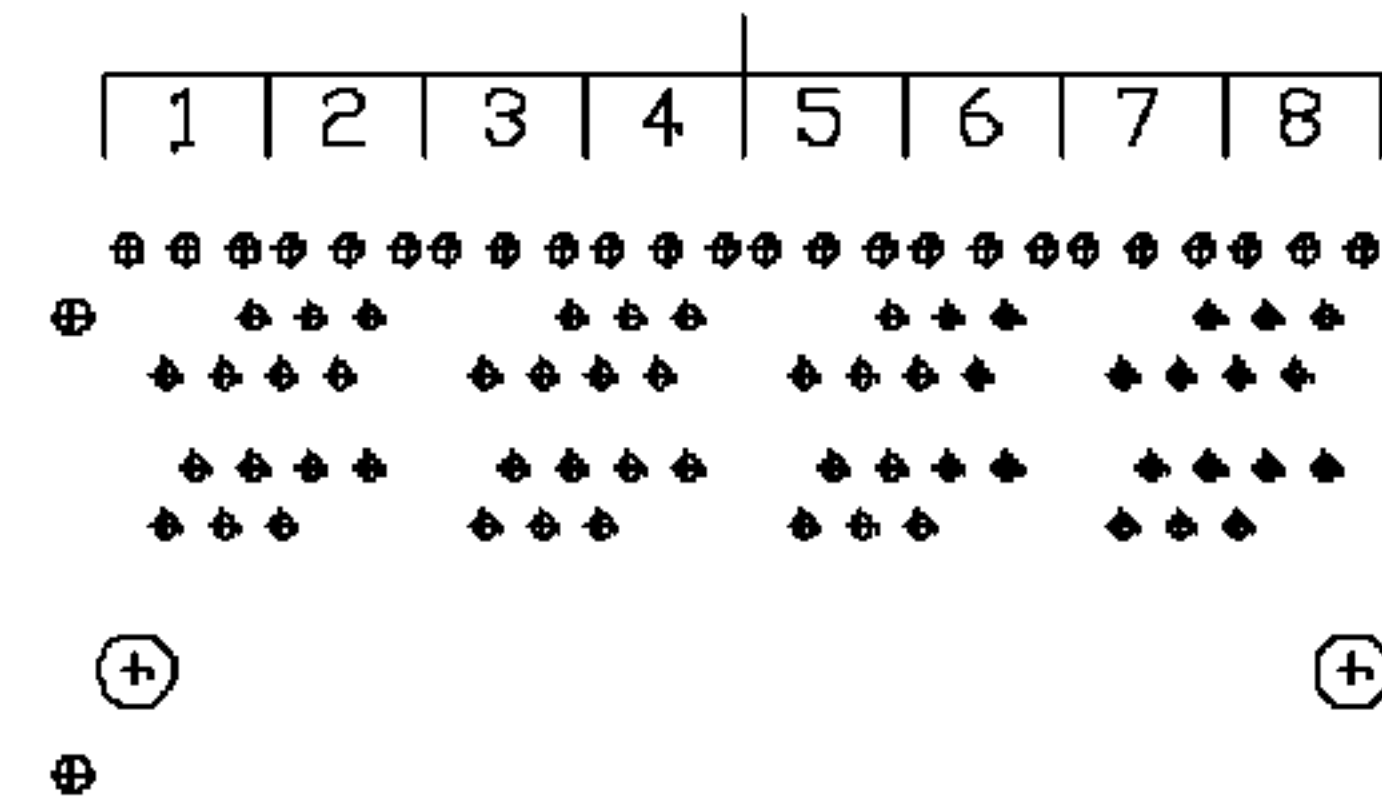
PRELIMINARY



PIN-OUT INFORMATION  
(COMPONENT SIDE VIEW)

11	ORANGE LED
10	COMMON LED
9	GREEN LED
8	GND
7	NO PIN
6	RD-
5	RCT
4	RD+
3	TD-
2	TCT
1	TD+

PORT ASSIGNMENT  
(COMPONENT SIDE VIEW)

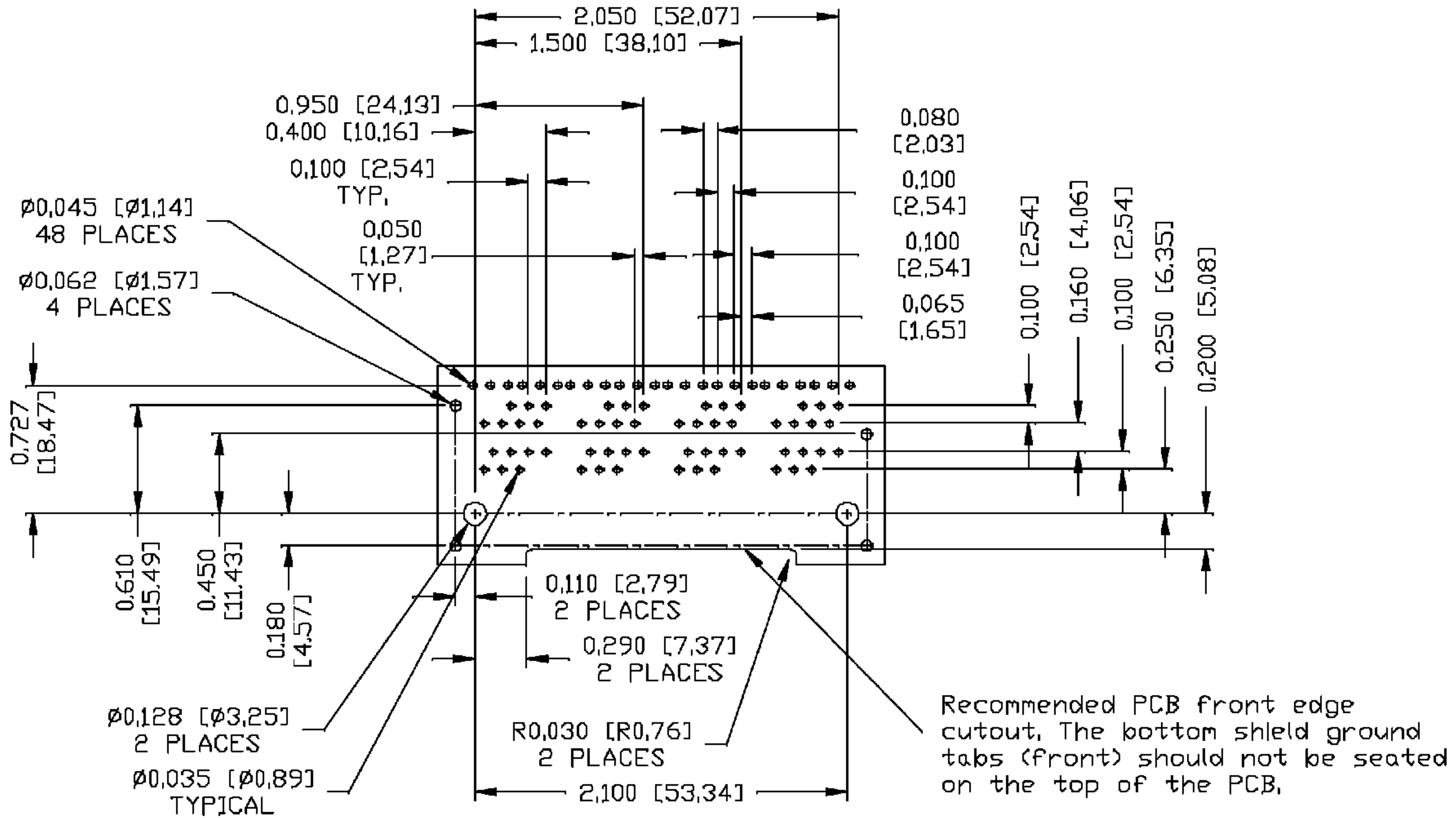


THE SHADED AREA ON THE CUSTOMER BOARD ARE RECOMMENDED TO BE CLEAR OFF ANY VIA HOLE OR COMPONENT PAD.

ORIGINATED BY CHRIS/BILL	DATE 12-12-06	TITLE 2X4 MagJack®	PART NO. / DRAWING NO. 0810-2H4R-N9	STANDARD DIM. TOL. IN INCH	[ ] METRIC DIM. AS REFERENCE	<p>COMPONENTS OF A REGISTERED FAMILY</p>
DRAWN BY CECILY	DATE 12-12-06		FILE NAME 08102H4RN9PC.DWG	.X	UNIT : INCH [mm]	
				.XX	SCALE : N/A	
				.XXX	±0,010	
					REV. : PC	SIZE : A4
						PAGE : 4

THE INFORMATION CONTAINED HEREIN IS CONSIDERED "PROPRIETARY" TO BEL FUSE INC. AND SHALL NOT BE COPIED, REPRODUCED OR DISCLOSED WITHOUT THE WRITTEN APPROVAL OF BEL FUSE INC.

PRELIMINARY



SUGGESTED FOOTPRINT  
(COMPONENT SIDE VIEW)

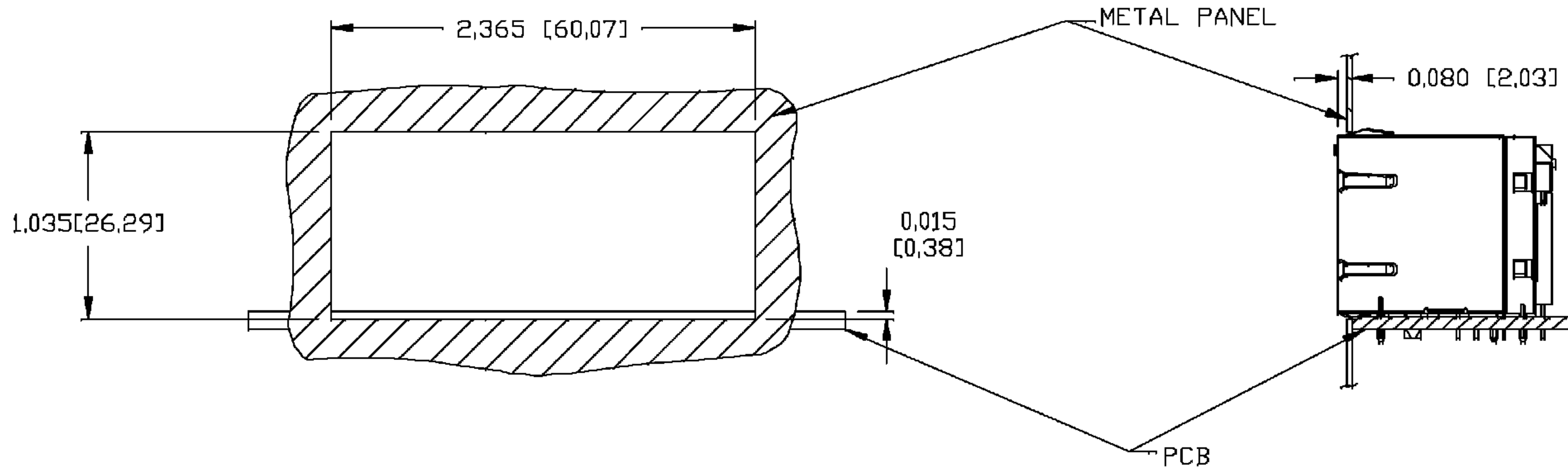
ORIGINATED BY	DATE	TITLE	PART NO. / DRAWING NO.	STANDARD DIM. TOL. IN INCH	[ ] METRIC DIM. AS REFERENCE
CHRIS/BILL	12-12-06	2X4 MagJack®	0810-2H4R-N9	.X	UNIT : INCH [mm] REV. : PC
DRAWN BY	DATE		FILE NAME	.XX	SCALE : N/A SIZE : A4
CECILY	12-12-06		08102H4RN9PC.DWG	.XXX ±0.010	PAGE : 5



THE INFORMATION CONTAINED HEREIN IS CONSIDERED "PROPRIETARY" TO BEL FUSE INC, AND SHALL NOT BE COPIED, REPRODUCED OR DISCLOSED WITHOUT THE WRITTEN APPROVAL OF BEL FUSE INC.

PRELIMINARY

SUGGESTED PANEL OPENING



NOTE:

THE DISTANCE OF PANEL INSIDE SURFACE RELATIVE TO FRONT SURFACE OF PART IS ONLY A SUGGESTION, IN CASE THIS DISTANCE IS DIFFERENT, THE REQUIRED PANEL OPENING DIMENSIONS CHANGE ACCORDINGLY.

PACKING INFORMATION

PACKING TRAY : 0200-9999-E7 (TOP)

0200-9999-E8 (BOTTOM)

PACKING QUANTITY : 20 PCS FINISHED GOODS PER TRAY,

7 TRAYS (140 PCS FINISHED GOODS) PER CARTON BOX.

NOTE : CARDBOARDS ARE PLACED BETWEEN LAYERS OF PACKING TRAY INSIDE CARTON BOX.

(INCLUDE THE UPPERMOST AND LOWERMOST TRAY)

ORIGINATED BY	DATE	TITLE	PART NO. / DRAWING NO.	STANDARD DIM. TOL. IN INCH	[ ] METRIC DIM. AS REFERENCE
CHRIS/BILL	12-12-06	2X4 MagJack®	0810-2H4R-N9	X	UNIT : INCH [mm] REV. : PC
DRAWN BY	DATE		FILE NAME	XX	SCALE : N/A SIZE : A4
CECILY	12-12-06		08102H4RN9PC.DWG	XXX	±0,004