

THE INFORMATION CONTAINED HEREIN IS CONSIDERED "PROPRIETARY" TO BEL FUSE INC. AND SHALL NOT BE COPIED, REPRODUCED OR DISCLOSED WITHOUT THE WRITTEN APPROVAL OF BEL FUSE INC.

LED POLARITY			
PIN 11	PIN 12	PIN 13	COLOR
-	+	/	GREEN
/	+	-	ORANGE

RoHS
2002/95/EC

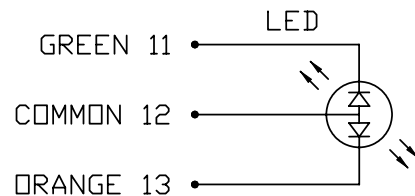


ELECTRICAL CHARACTERISTICS @ 25°C

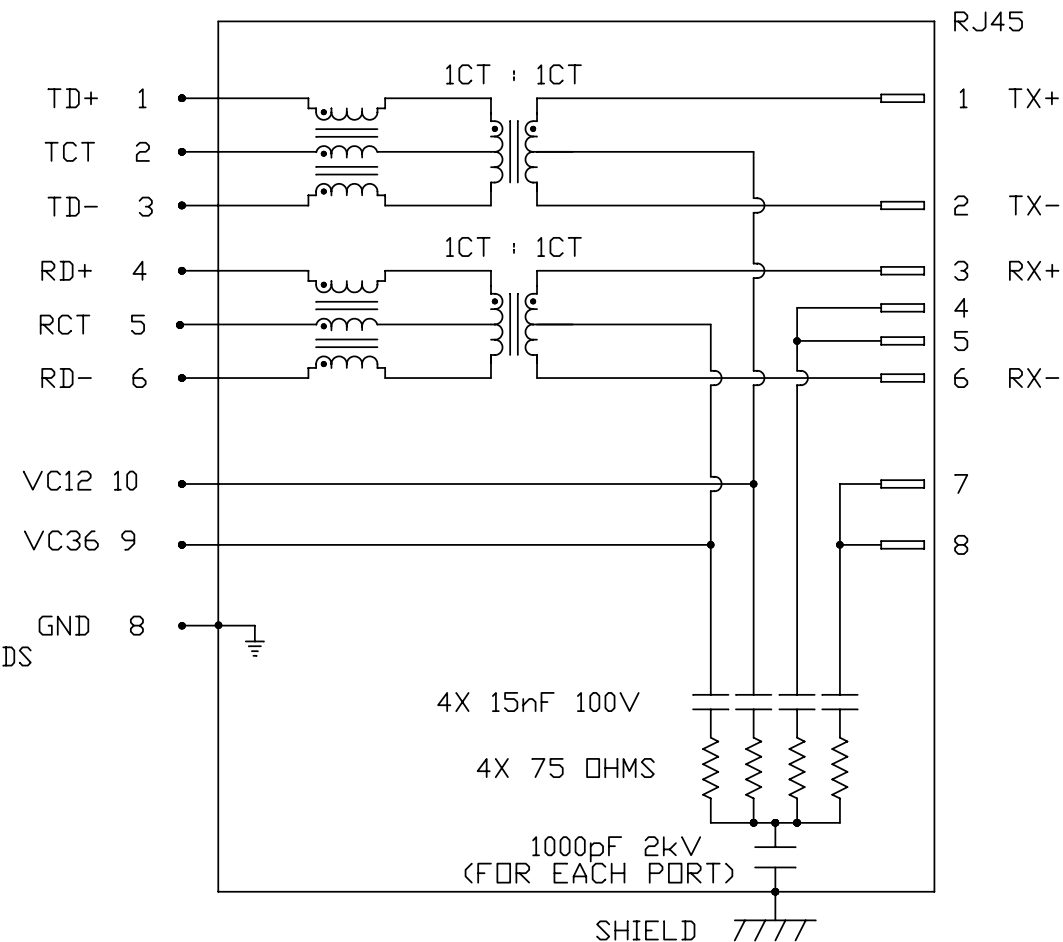
TURNS RATIO 1CT : 1CT ±2%
 OCL @ 0.1V, 100KHz 8mA DC BIAS 350µH MIN.
 INSERTION LOSS 100KHz TO 100MHz -1.5 dB MAX.
 RETURN LOSS (MIN.) 2MHz-30MHz -16 dB MIN.
 60MHz-80MHz -10 dB MIN.
 CROSSTALK 100KHz TO 100MHz -30 dB MIN.
 D.C. RESISTANCE (1-3)=(4-6) 1.40 OHM MAX.
 (RJ1-RJ2)=(RJ3-RJ6) 1.0 OHM MAX.
 INTERWINDING CAPACITANCE PER CHANNEL (PRI. to SEC.) 40 pF MAX.
 HIPOT (Isolation Voltage): 2250 VDC
 100% OF PRODUCTION TESTED TO COMPLY WITH IEEE 802.3 ISOLATION REQUIREMENTS.
 BALANCED DC LINE CURRENT 350mA MAX. @ 57 VDC CONTINUOUS
 500mA MAX. @ 57 VDC FOR 200 MILLISECONDS

LED
 VF (FORWARD VOLTAGE) IF=20mA YELLOW GREEN 2.2V TYP.
 AMBER 2.1V TYP.
 λD (DOMINANT WAVELENGTH) IF=20mA YELLOW GREEN 570nm TYP.
 AMBER 607nm TYP.

OPERATING TEMPERATURE: -40 TO +85°C



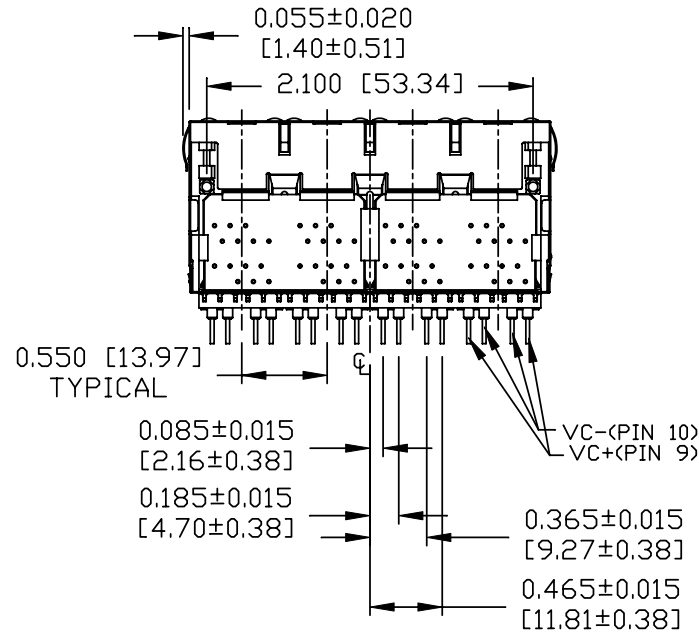
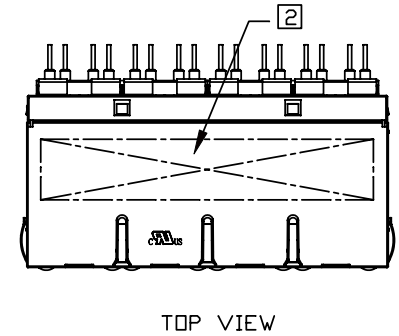
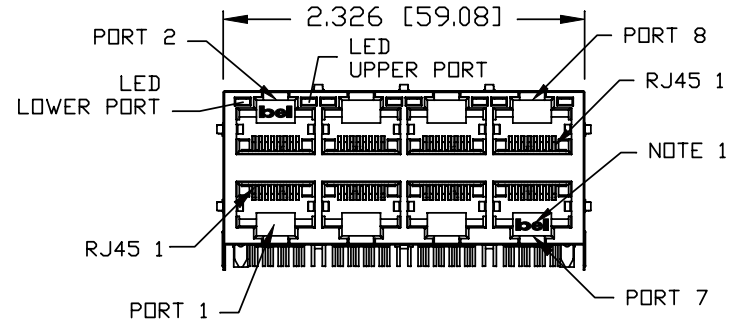
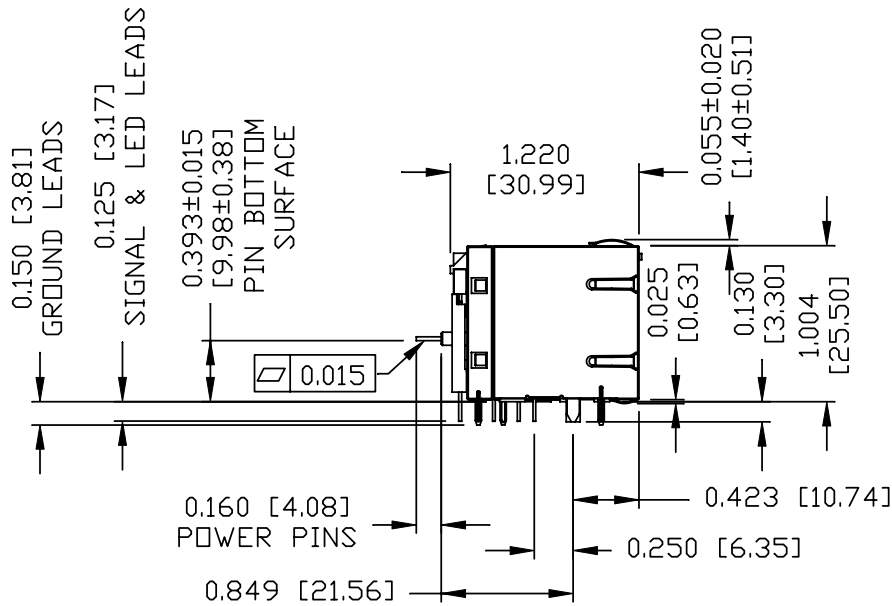
SCHEMATIC



ORIGINATED BY	DATE	TITLE	PART NO. / DRAWING NO.	STANDARD DIM.		[] METRIC DIM. AS REFERENCE		bel
				TOL.	IN INCH	UNIT : INCH [mm]	REV. : A	
CHOW WANCHUNG	03-24-09	2X4 MagJack® FOR 10/100	08102H4RDF-F	.X		SCALE : N/A	SIZE : A4	COMPONENTS FOR A CONNECTED PLANET
DRAWN BY	DATE	PoE WITH LEDS (Extend Temp.)	FILE NAME	.XX			PAGE : 2	
LI WEIDE	03-24-09	0810-2H4R-DF-F	08102H4RDF-F_A.DWG	.XXX				

THE INFORMATION CONTAINED HEREIN IS CONSIDERED "PROPRIETARY" TO BEL FUSE INC. AND SHALL NOT BE COPIED, REPRODUCED OR DISCLOSED WITHOUT THE WRITTEN APPROVAL OF BEL FUSE INC.

RoHS
2002/95/EC



NOTES:

- PLASTIC HOUSING: THERMOPLASTIC PBT
FLAMMABILITY RATING UL 94V-0
CONTACT PLATING: 50 MICRO-INCH HARD GOLD PLATING
OUTPUT PINS: SIGNAL PINS TIN-COATED COPPER WIRE, DIA 0.018 INCH.
POWER PINS TIN-COATED COPPER WIRE,
SQUARE 0.024 INCH X 0.024 INCH.
METAL SHIELD: NICKEL PLATED ON COPPER ALLOY.
(ALL GROUND LEADS ARE SOLDER DIPPED)

1. JACK CAVITY CONFORMS TO FCC RULES AND REGULATIONS,
PART 68 SUBPART F.
2. MARK PART WITH MFG LOGO, NAME, PART NUMBER AND DATE CODE.

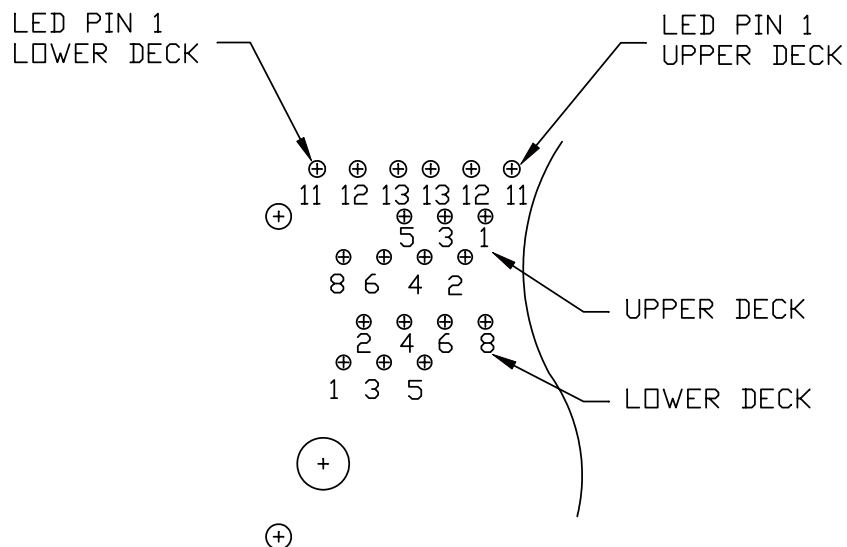
3. RoHS COMPLIANCE, PER EU DIRECTIVE 2002/95/EC.

ORIGINATED BY	DATE	TITLE	PART NO. / DRAWING NO.	STANDARD DIM. TOL. IN INCH		[] METRIC DIM. AS REFERENCE	
				.X	.XX	UNIT : INCH [mm]	REV. : A
ZX HUANG	03-24-09	2X4 MagJack® FOR 10/100	08102H4RDF-F	.X		SCALE : N/A	SIZE : A4
DRAWN BY	DATE	PoE WITH LEDS (Extend Temp.)	FILE NAME	.XX			PAGE : 3
BL CHEN	03-24-09	0810-2H4R-DF-F	08102H4RDF-F_A.DWG	.XXX	±0.010		



THE INFORMATION CONTAINED HEREIN IS CONSIDERED "PROPRIETARY" TO BEL FUSE INC. AND SHALL NOT BE COPIED, REPRODUCED OR DISCLOSED WITHOUT THE WRITTEN APPROVAL OF BEL FUSE INC.

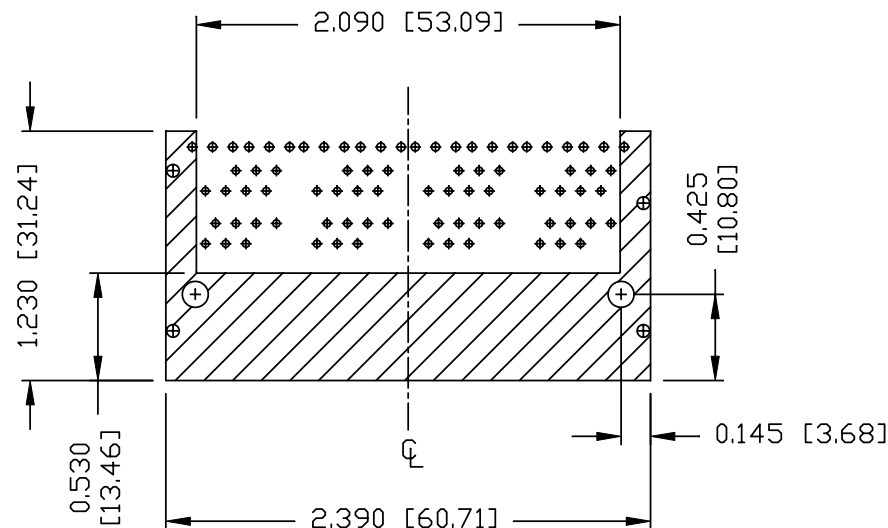
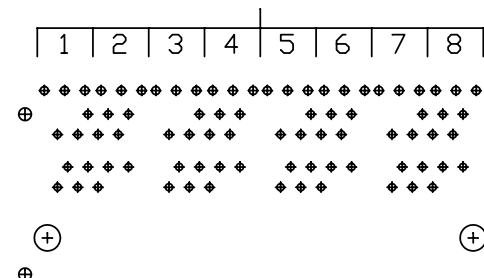
RoHS
2002/95/EC



PIN-OUT INFORMATION
(COMPONENT SIDE VIEW)

13	ORANGE LED
12	COMMON LED
11	GREEN LED
10	VC12
9	VC36
8	GND
7	NO PIN
6	RD-
5	RCT
4	RD+
3	TD-
2	TCT
1	TD+

PORT ASSIGNMENT
(COMPONENT SIDE VIEW)

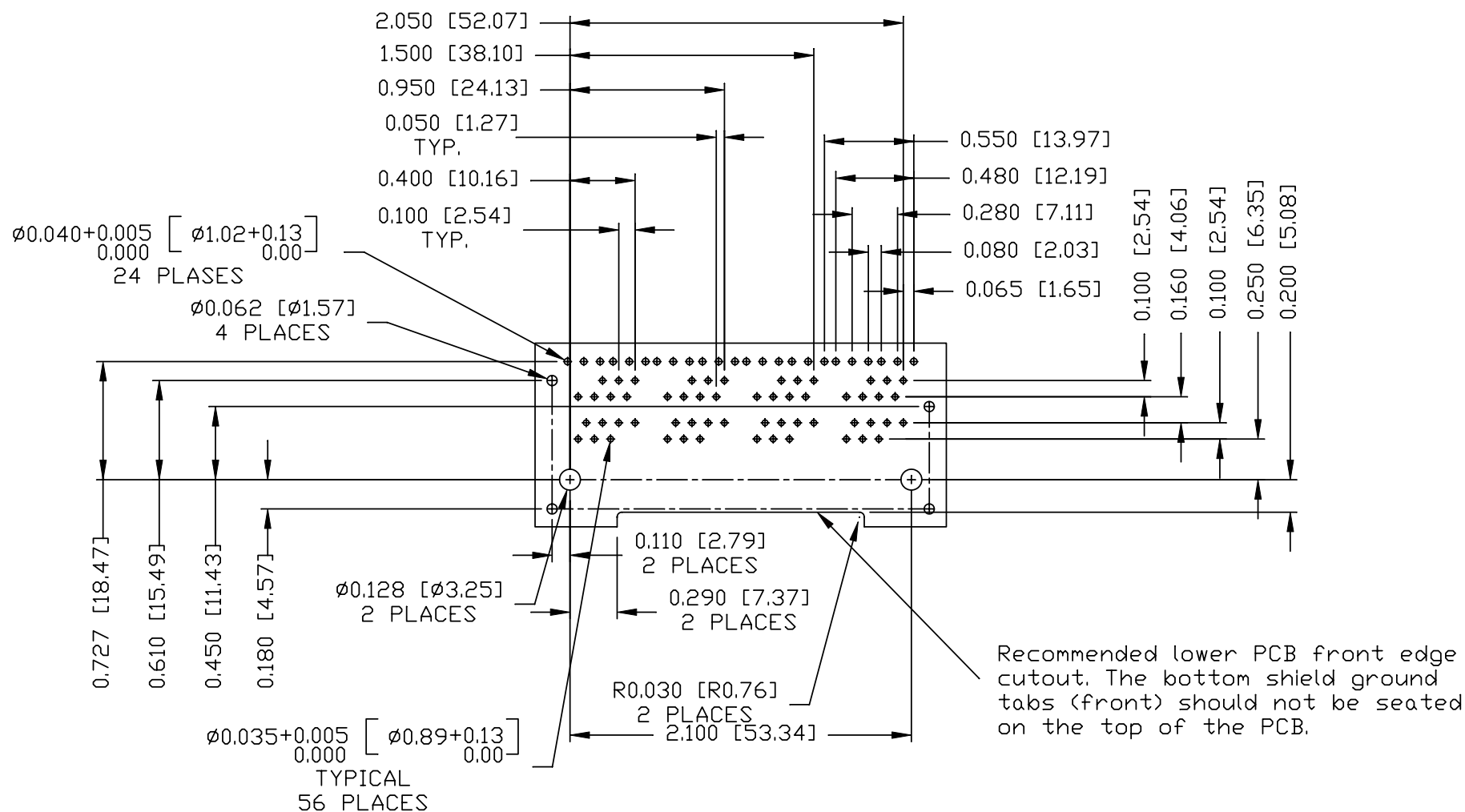


THE SHADED AREA ON THE CUSTOMER BOARD ARE RECOMMENDED TO BE CLEAR OFF ANY VIA HOLE OR COMPONENT PAD.

ORIGINATED BY ZX HUANG	DATE 03-24-09	TITLE 2X4 MagJack® FOR 10/100 PoE WITH LEDS (Extend Temp.)	PART NO. / DRAWING NO. 08102H4RDF-F	STANDARD DIM. TOL. IN INCH		[] METRIC DIM. AS REFERENCE		bel COMPONENTS FOR A CONNECTED PLANET
				.X		UNIT : INCH [mm]	REV. : A	
DRAWN BY BL CHEN	DATE 03-24-09	0810-2H4R-DF-F	FILE NAME 08102H4RDF-F_A.DWG	.XX		SCALE : N/A	SIZE : A4	PAGE : 4
				.XXX	±0.004			

THE INFORMATION CONTAINED HEREIN IS CONSIDERED "PROPRIETARY" TO BEL FUSE INC. AND SHALL NOT BE COPIED, REPRODUCED OR DISCLOSED WITHOUT THE WRITTEN APPROVAL OF BEL FUSE INC.

RoHS
2002/95/EC

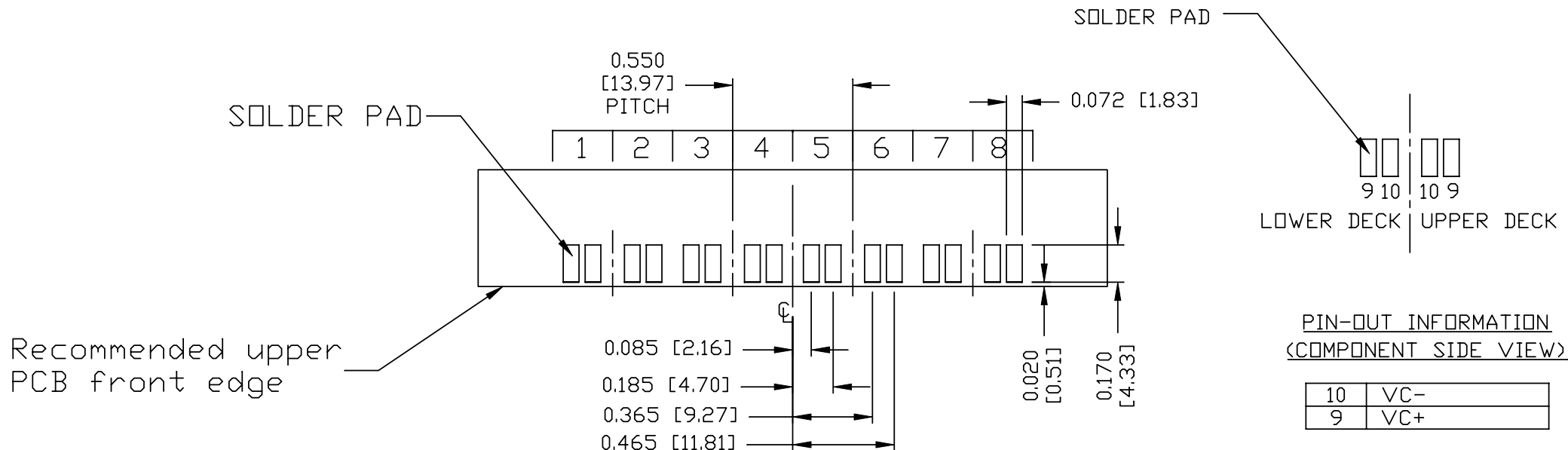


SUGGESTED FOOTPRINT FOR LOWER PCB
(COMPONENT SIDE VIEW)

ORIGINATED BY ZX HUANG	DATE 03-24-09	TITLE 2X4 MagJack® FOR 10/100 PoE WITH LEDS (Extend Temp.)	PART NO. / DRAWING NO. 08102H4RDF-F	STANDARD DIM. TOL. IN INCH		[] METRIC DIM. AS REFERENCE		bel COMPONENTS FOR A CONNECTED PLANET
				.X		UNIT : INCH [mm]	REV. : A	
DRAWN BY BL CHEN	DATE 03-24-09	FILE NAME 0810-2H4R-DF-F 08102H4RDF-F_A.DWG	.XX		SCALE : N/A	SIZE : A4		PAGE : 5
			.XXX	±0.004				

THE INFORMATION CONTAINED HEREIN IS CONSIDERED 'PROPRIETARY' TO BEL FUSE INC. AND SHALL NOT BE COPIED, REPRODUCED OR DISCLOSED WITHOUT THE WRITTEN APPROVAL OF BEL FUSE INC.

RoHS
2002/95/EC



SUGGESTED POWER PINS SOLDER PAD FOR UPPER PCB
(COMPONENT SIDE VIEW)

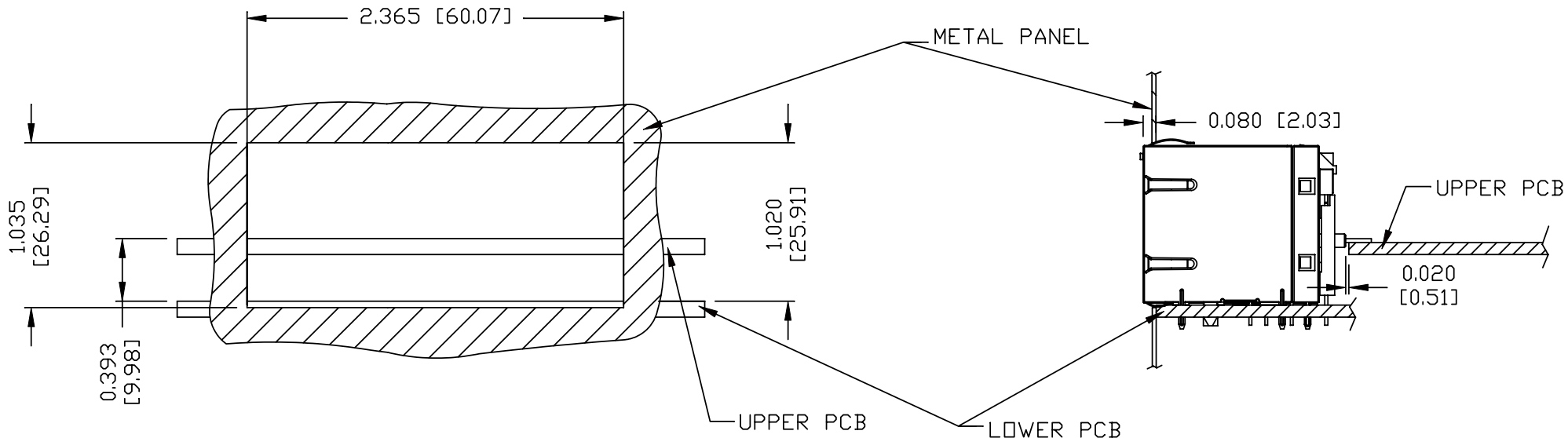
ORIGINATED BY	DATE	TITLE	PART NO. / DRAWING NO.	STANDARD DIM. TOL. IN INCH	[] METRIC DIM. AS REFERENCE
ZX HUANG	03-24-09	2X4 MagJack® FOR 10/100 PoE WITH LEDS (Extend Temp.)	08102H4RDF-F	.X	UNIT : INCH [mm] REV. : A
DRAWN BY	DATE		FILE NAME	.XX	SCALE : N/A SIZE : A4
BL CHEN	03-24-09	0810-2H4R-DF-F	08102H4RDF-F_A.DWG	.XXX ±0.004	PAGE : 6



THE INFORMATION CONTAINED HEREIN IS CONSIDERED "PROPRIETARY" TO BEL FUSE INC. AND SHALL NOT BE COPIED, REPRODUCED OR DISCLOSED WITHOUT THE WRITTEN APPROVAL OF BEL FUSE INC.

SUGGESTED PANEL OPENING

RoHS
2002/95/EC



NOTE:

THE DISTANCE OF PANEL INSIDE SURFACE RELATIVE TO FRONT SURFACE OF PART IS ONLY A SUGGESTION. IN CASE THIS DISTANCE IS DIFFERENT, THE REQUIRED PANEL OPENING DIMENSIONS CHANGE ACCORDINGLY.

PACKING INFORMATION

PACKING TRAY : 0200M9999-F8 (TOP)
0200M9999-F9 (BOTTOM)

PACKING QUANTITY : 20 PCS FINISHED GOODS PER TRAY.
7 TRAYS (140 PCS FINISHED GOODS) PER CARTON BOX.

NOTE : CARDBOARDS ARE PLACED BETWEEN LAYERS OF PACKING TRAY INSIDE CARTON BOX.
(INCLUDE THE UPPERMOST AND LOWERMOST TRAY)

ORIGINATED BY ZX HUANG	DATE 03-24-09	TITLE 2X4 MagJack® FOR 10/100 PoE WITH LEDS (Extend Temp.)	PART NO. / DRAWING NO. 08102H4RDF-F	STANDARD DIM. TOL. IN INCH		[] METRIC DIM. AS REFERENCE		bel COMPONENTS FOR A CONNECTED PLANET
				.X		UNIT : INCH [mm]	REV. : A	
DRAWN BY BL CHEN	DATE 03-24-09	FILE NAME 0810-2H4R-DF-F	08102H4RDF-F_A.DWG	.XX		SCALE : N/A	SIZE : A4	PAGE : 7
				.XXX	±0.004			