

THE INFORMATION CONTAINED HEREIN IS CONSIDERED "PROPRIETARY" TO BEL FUSE INC. AND SHALL NOT BE COPIED, REPRODUCED OR DISCLOSED WITHOUT THE WRITTEN APPROVAL OF BEL FUSE INC.

LED POLARITY			
PIN 9	PIN 10	PIN 11	COLOR
-	+	/	GREEN
/	+	-	YELLOW

PRELIMINARY

RoHS
2002/95/EC

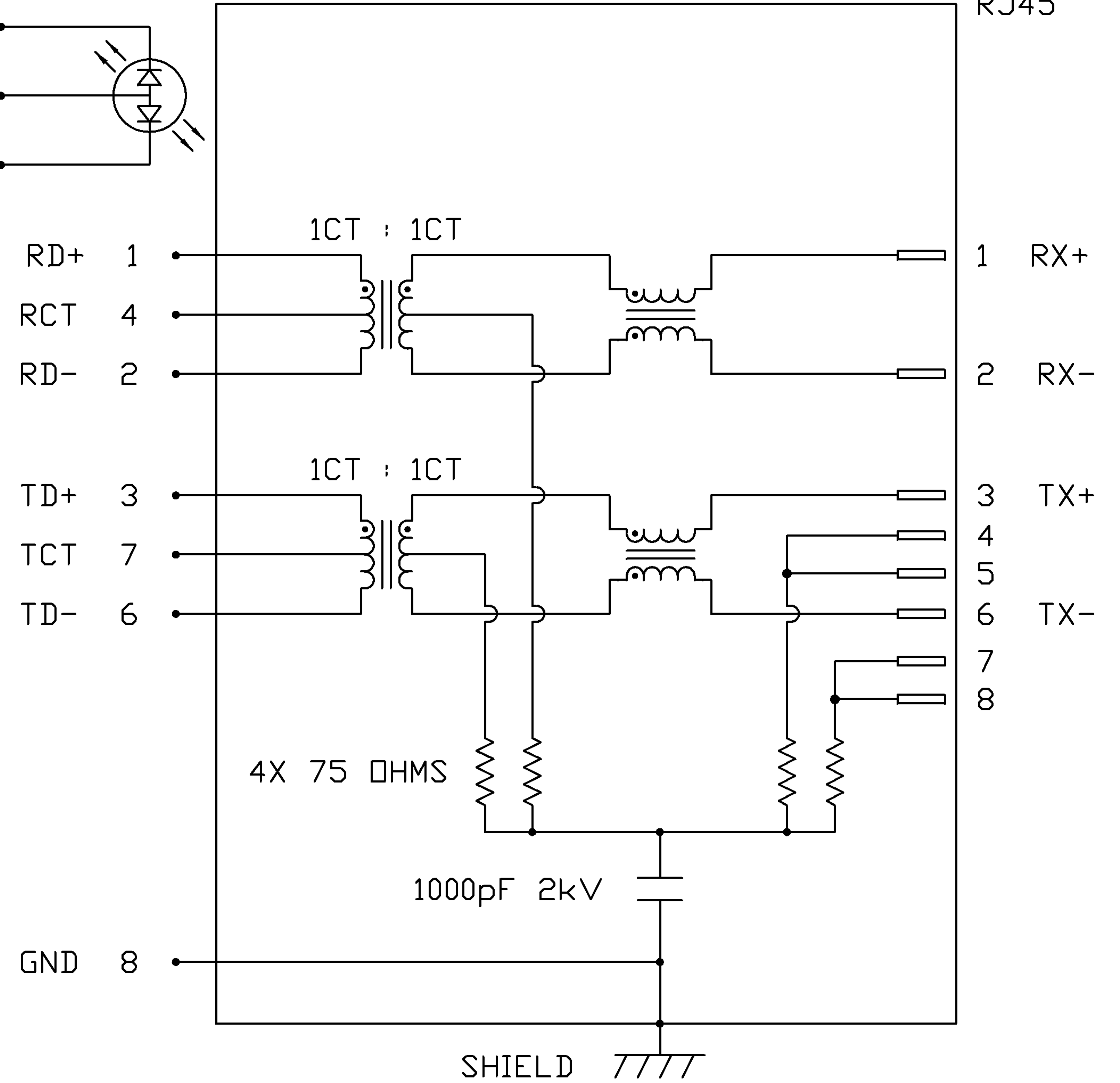
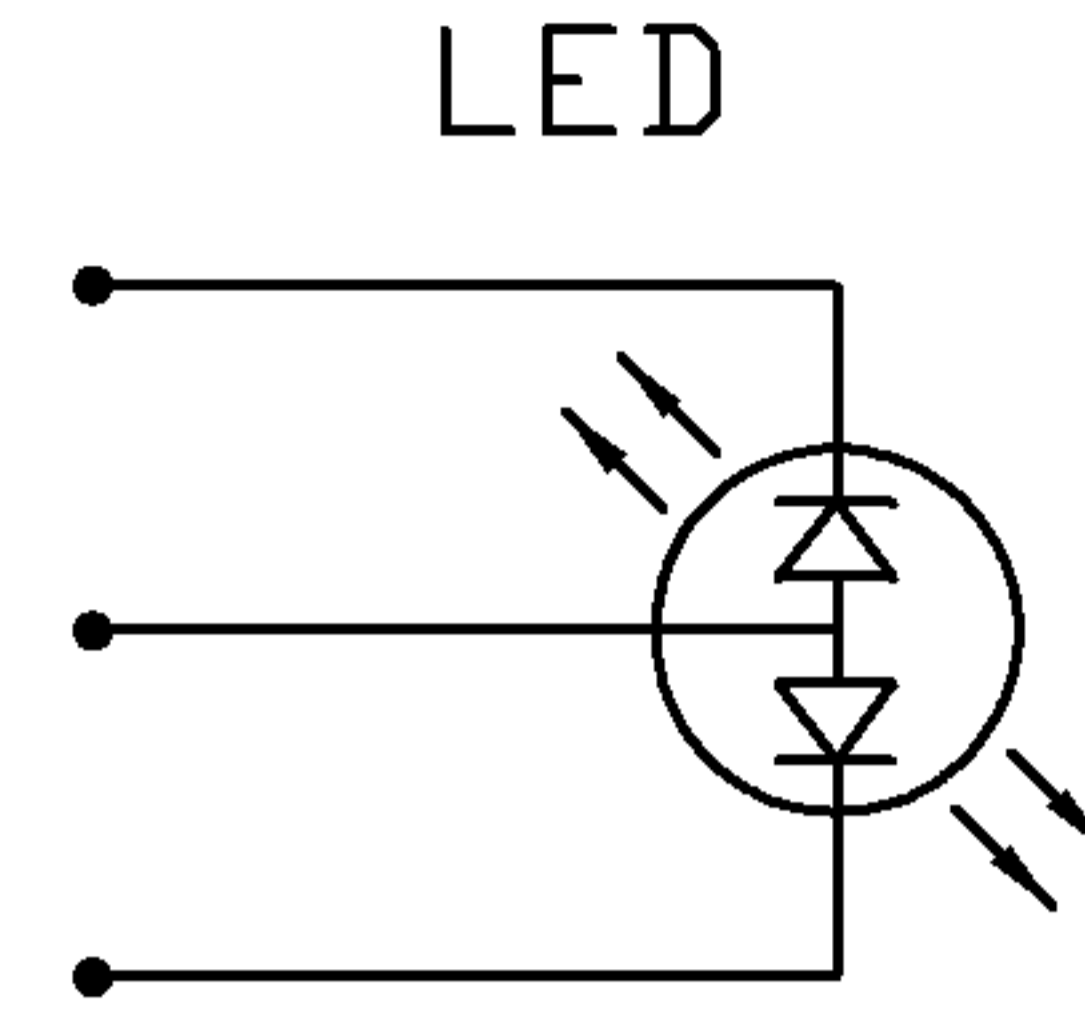


SCHEMATIC

ELECTRICAL CHARACTERISTICS @ 25°C

URNS RATIO	1CT : 1CT ±2%	
DCL @ 0.1V, 100KHz 8mA DC BIAS	350mH MIN.	
INSERTION LOSS 100KHz TO 100MHZ	-1.1 dB	
RETURN LOSS (MIN.) 1MHZ-30MHZ	-18 dB	
	60MHZ-80MHZ	-12 dB
XTALK 100KHz TO 100MHZ	-35 dB MIN.	
HIPOT (Isolation Voltage): 100% OF PRODUCTION TESTED TO COMPLY WITH IEEE 802.3 ISOLATION REQUIREMENTS.	1500 Vrms	

GREEN 9
COMMON 10
YELLOW 11



LED				
VF (FORWARD VOLTAGE)	IF=20mA	YELLOW	GREEN	2.2V TYP.
		YELLOW		2.1V TYP.
λD (DOMINANT WAVELENGTH)	IF=20mA	YELLOW	GREEN	570nm TYP.
		YELLOW		590nm TYP.

ORIGINATED BY	DATE
CHOW WANCHUNG	12-16-08
DRAWN BY	DATE
LEE WEIDE	12-16-08

TITLE	10/100 MagJack® 0.150 INCH PIN LENGTH
FILE NAME	0810-2H4R-C8-F 08102H4RC8-F_PA.DWG

PART NO. / DRAWING NO.	08102H4RC8-F
STANDARD DIM. TOL. IN INCH	.X / XX XXX

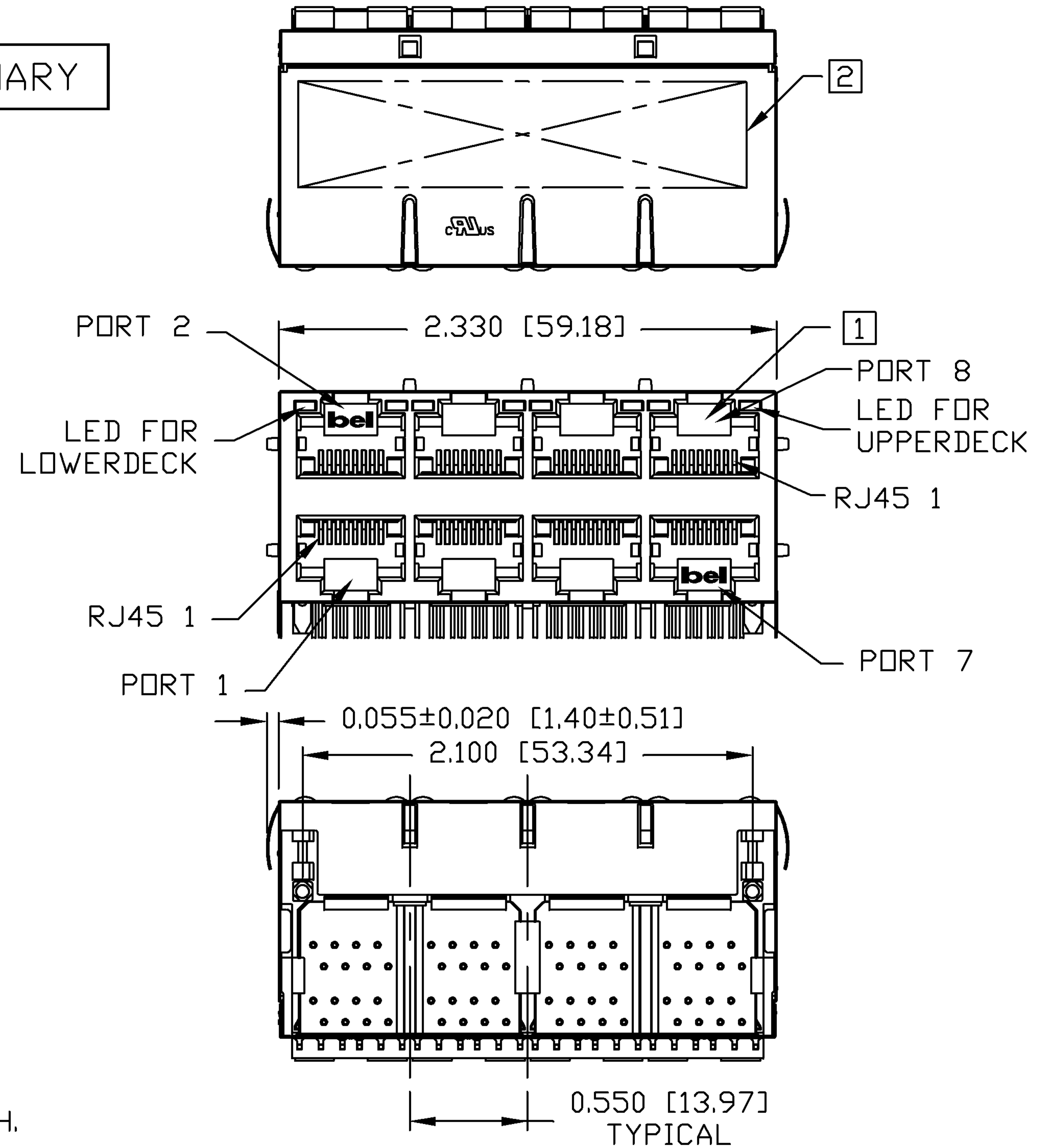
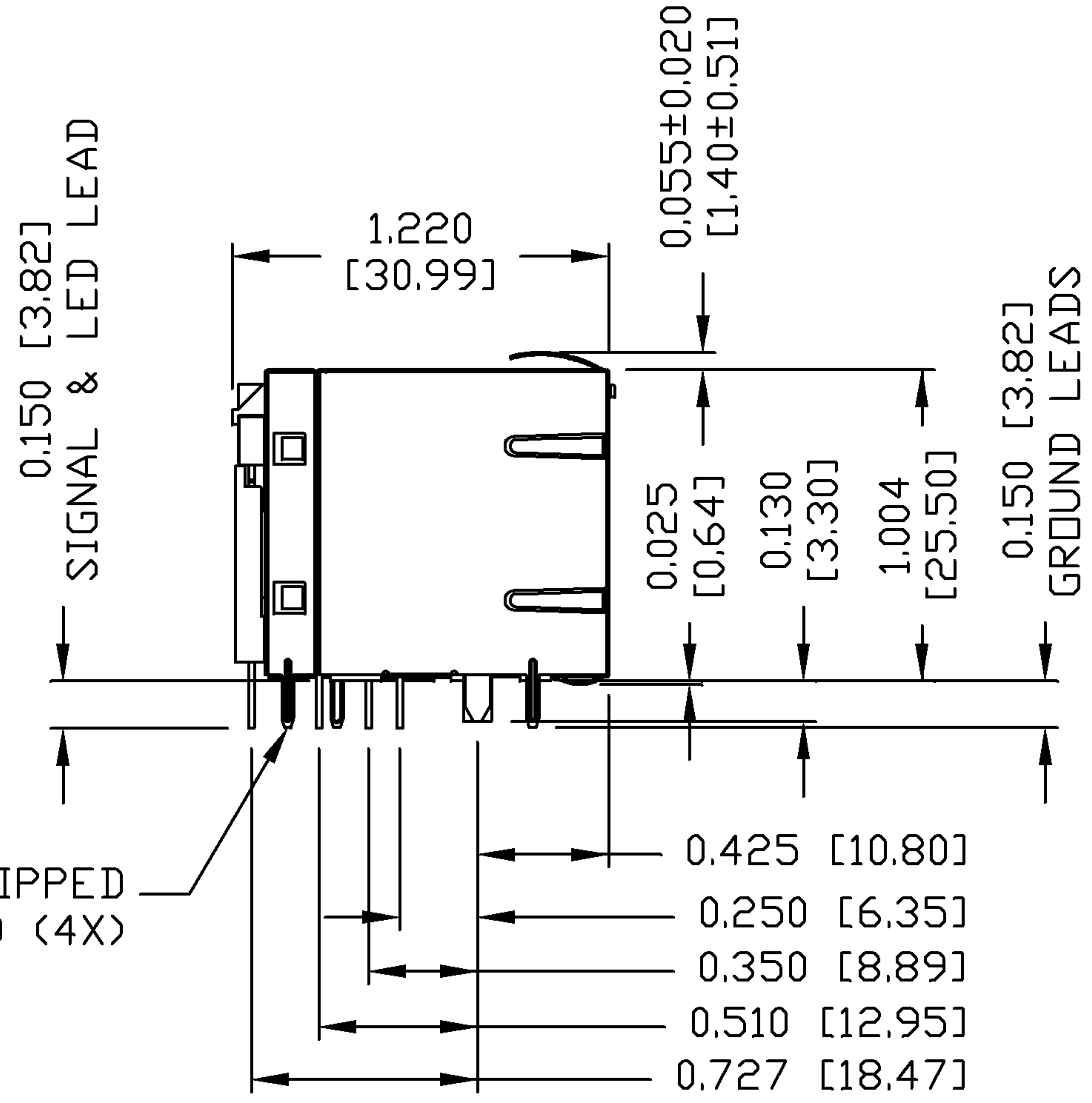
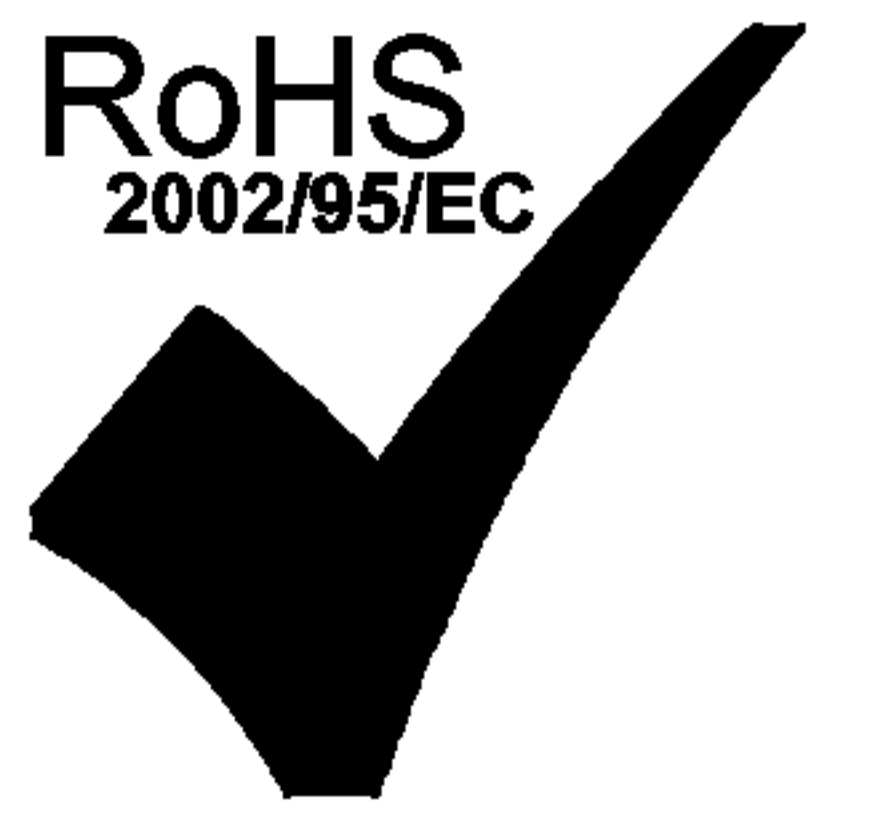
[] METRIC DIM. AS REFERENCE
UNIT : INCH [mm]
SCALE : N/A

REV. : PA
SIZE : A4
PAGE : 2



THE INFORMATION CONTAINED HEREIN IS CONSIDERED "PROPRIETARY" TO BEL FUSE INC. AND SHALL NOT BE COPIED, REPRODUCED OR DISCLOSED WITHOUT THE WRITTEN APPROVAL OF BEL FUSE INC.

PRELIMINARY



NOTES:
 PLASTIC HOUSING: THERMOPLASTIC PBT
 FLAMMABILITY RATING UL 94V-0
 CONTACT PLATING: 30 MICRO-INCH HARD GOLD PLATING
 OUTPUT PINS: TIN-COATED COPPER WIRE, DIA 0.018 INCH.
 METAL SHIELD: NICKEL PLATED ON COPPER ALLOY.
 (ALL GROUND LEADS ARE SOLDER DIPPED)

[1] JACK CAVITY CONFORMS TO FCC RULES AND REGULATIONS, PART 68 SUBPART F.

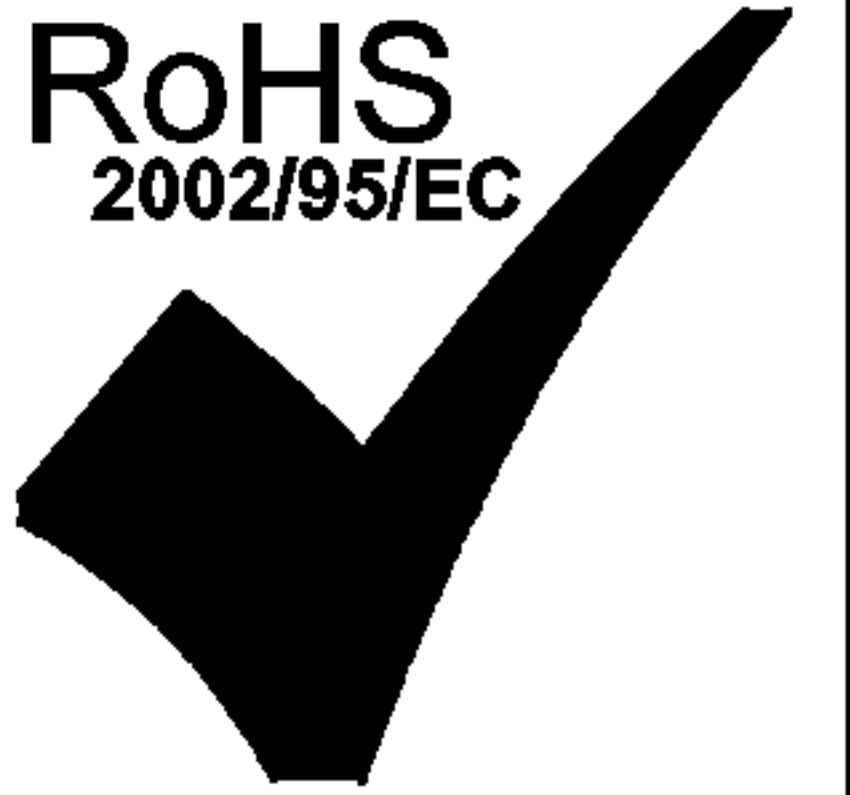
[2] MARK PART WITH MFG LOGO, NAME, PART NUMBER AND DATE CODE.

cus UL RECOGNIZED - FILE #E196366 AND E169987.
 3. RoHS COMPLIANCE, PER EU DIRECTIVE 2002/95/EC.

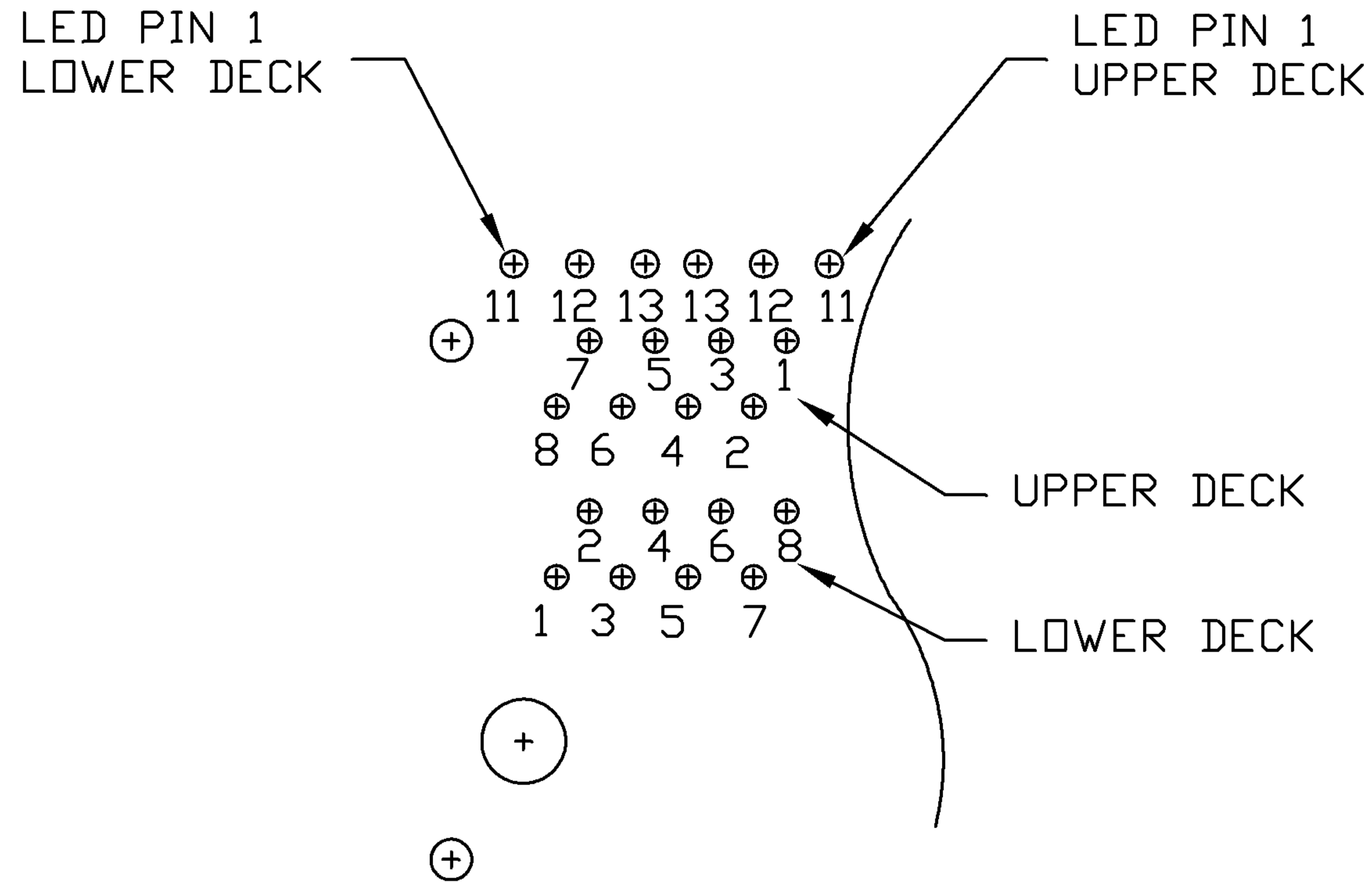
ORIGINATED BY LIU QIN	DATE 12-16-08	TITLE 10/100 MagJack® 0.150 INCH PIN LENGTH	PART NO. / DRAWING NO. 08102H4RC8-F	STANDARD DIM. TOL. IN INCH	[] METRIC DIM. AS REFERENCE		REV. : PA			
DRAWN BY XIAN JIAXIN	DATE 12-16-08				FILE NAME 08102H4RC8-F_PA.DWG	UNIT : INCH [mm]			SCALE : N/A	SIZE : A4
						PAGE : 3				

THE INFORMATION CONTAINED HEREIN IS CONSIDERED "PROPRIETARY" TO BEL FUSE INC. AND SHALL NOT BE COPIED, REPRODUCED OR DISCLOSED WITHOUT THE WRITTEN APPROVAL OF BEL FUSE INC.

RoHS
2002/95/EC



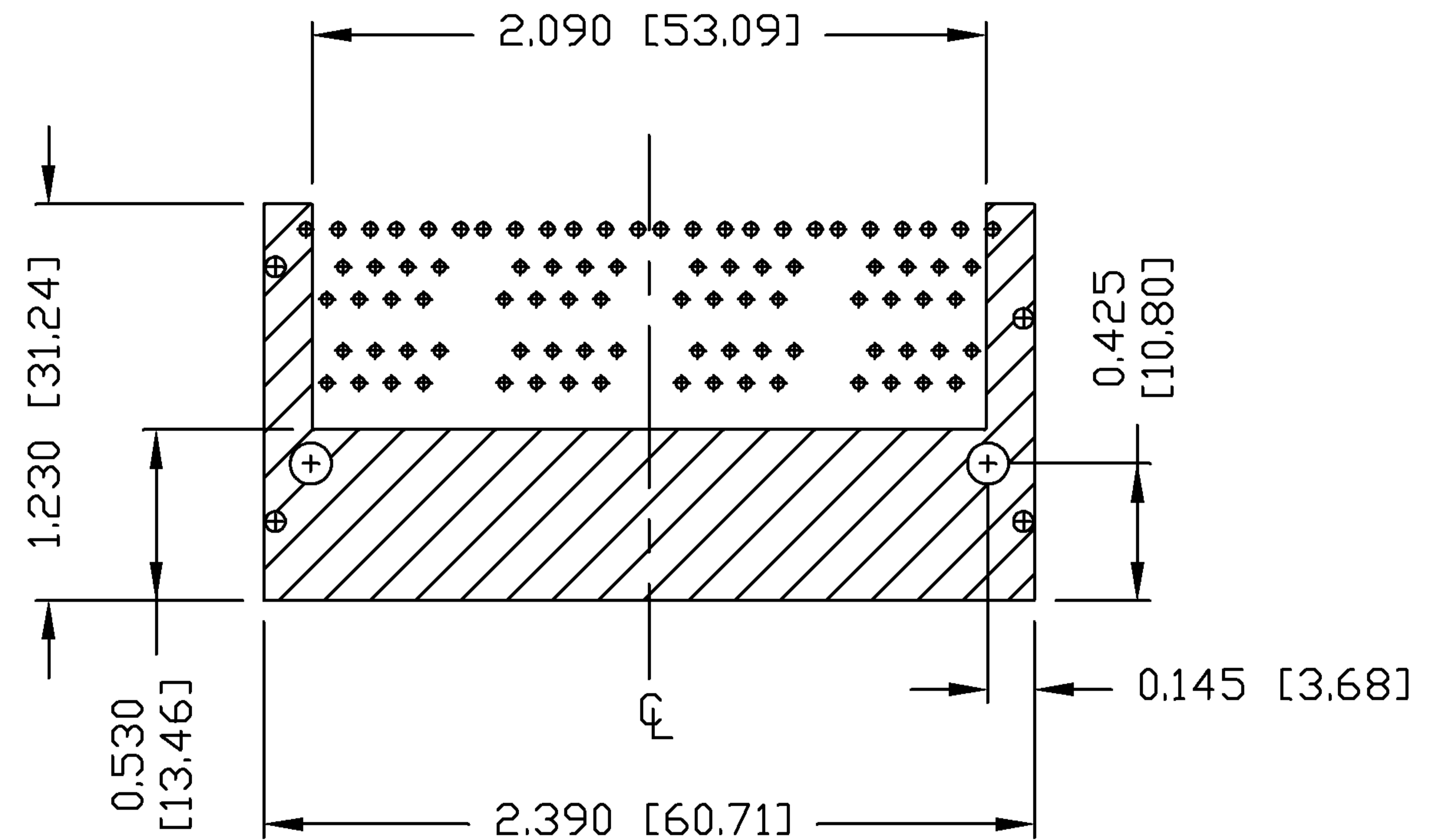
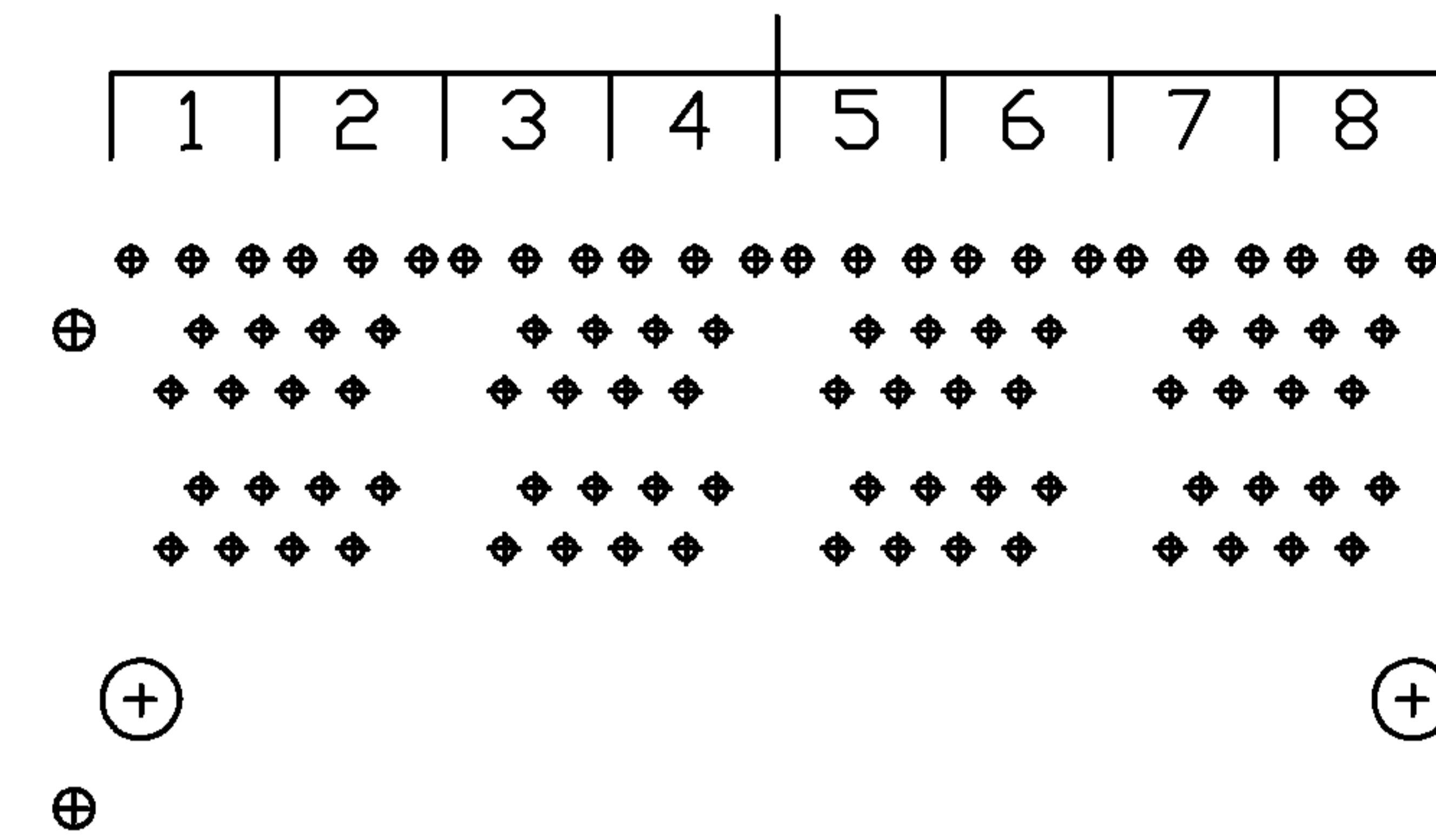
PRELIMINARY



PIN-OUT INFORMATION
(COMPONENT SIDE VIEW)

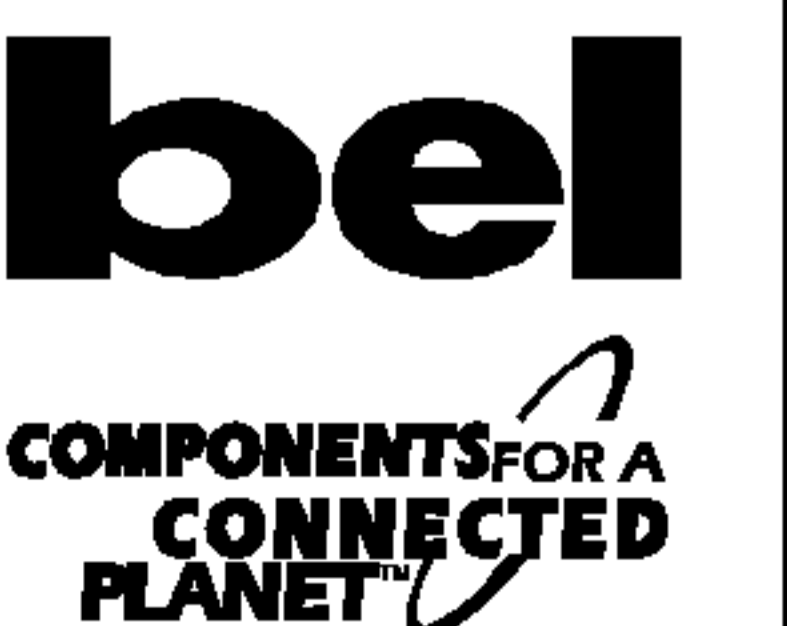
13	YELLOW LED
12	COMMON LED
11	GREEN LED
8	GND
7	TCT
6	TD-
5	NO PIN
4	TD+
3	RD-
2	RCT
1	RD+

PORT ASSIGNMENT
(COMPONENT SIDE VIEW)



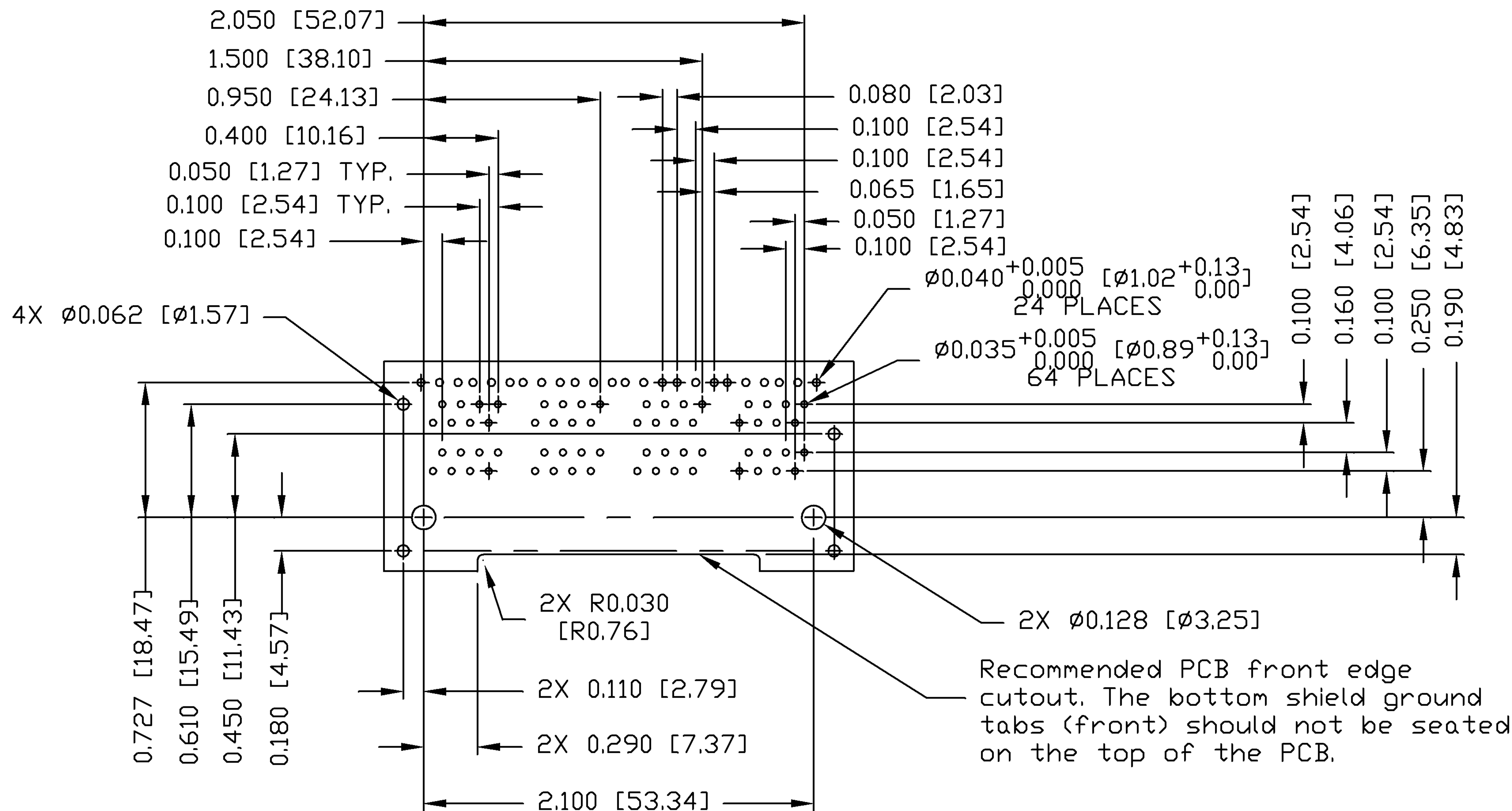
THE SHADED AREA ON THE CUSTOMER BOARD ARE RECOMMENDED TO BE CLEAR OFF ANY VIA HOLE OR COMPONENT PAD.

ORIGINATED BY	DATE	TITLE	PART NO. / DRAWING NO.	STANDARD DIM. TOL. IN INCH	[] METRIC DIM. AS REFERENCE
LIU QIN	12-16-08	10/100 MagJack® 0.150 INCH PIN LENGTH	08102H4RC8-F	.X .XX .XXX	UNIT : INCH [mm] SCALE : N/A
DRAWN BY	DATE		FILE NAME	±0.004	REV. : PA SIZE : A4 PAGE : 4
XIAN JIAXIN	12-16-08	0810-2H4R-C8-F	08102H4RC8-F_PA.DWG		



THE INFORMATION CONTAINED HEREIN IS CONSIDERED "PROPRIETARY" TO BEL FUSE INC. AND SHALL NOT BE COPIED, REPRODUCED OR DISCLOSED WITHOUT THE WRITTEN APPROVAL OF BEL FUSE INC.

PRELIMINARY



SUGGESTED FOOTPRINT
(COMPONENT SIDE VIEW)

ORIGINATED BY LIU QIN	DATE 12-16-08	TITLE 10/100 MagJack® 0.150 INCH PIN LENGTH	PART NO. / DRAWING NO. 08102H4RC8-F	STANDARD DIM. TOL. IN INCH	[] METRIC DIM. AS REFERENCE
DRAWN BY XIAN JIAXIN	DATE 12-16-08	0810-2H4R-C8-F	FILE NAME 08102H4RC8-F_PA.DWG	.X .XX .XXX ±0.004	UNIT : INCH [mm] SCALE : N/A REV. : PA SIZE : A4 PAGE : 5

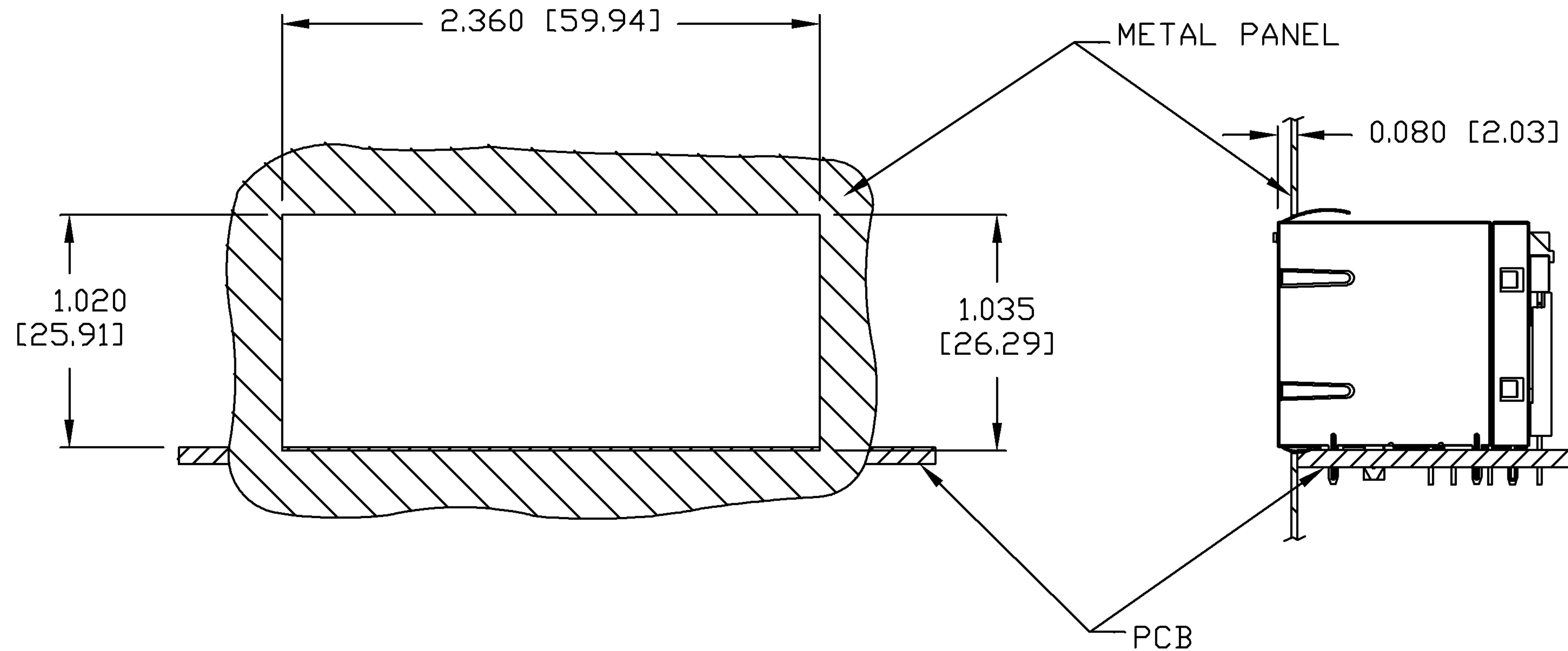


THE INFORMATION CONTAINED HEREIN IS CONSIDERED "PROPRIETARY" TO BEL FUSE INC. AND SHALL NOT BE COPIED, REPRODUCED OR DISCLOSED WITHOUT THE WRITTEN APPROVAL OF BEL FUSE INC.

PRELIMINARY



SUGGESTED PANEL OPENING



NOTES:

THE DISTANCE OF PANEL INSIDE SURFACE RELATIVE TO FRONT SURFACE OF PART IS ONLY A SUGGESTION. IN CASE THIS DISTANCE IS DIFFERENT, THE REQUIRED PANEL OPENING DIMENSIONS CHANGE ACCORDINGLY.

PACKING INFORMATION

PACKING TRAY : 0200-9999-E7 (TOP)
0200-9999-E8 (BOTTOM)

PACKING QUANTITY : 20 PCS FINISHED GOODS PER TRAY
7 TRAY (140 PCS FINISHED GOODS) PER CARTON BOX

NOTE : CARDBOARDS ARE PLACED BETWEEN LAYERS OF PACKING TRAY INSIDE CARTON BOX.
(INCLUDE THE UPPERMOST AND LOWERMOST TRAY)

ORIGINATED BY LIU QIN	DATE 12-16-08	TITLE 10/100 MagJack® 0.150 INCH PIN LENGTH	PART NO. / DRAWING NO. 08102H4RC8-F	STANDARD DIM. TOL. IN INCH .X .XX .XXX ±0.004	[] METRIC DIM. AS REFERENCE		REV. : PA	SIZE : A4	PAGE : 6	
DRAWN BY XIAN JIAXIN	DATE 12-16-08				FILE NAME 08102H4RC8-F_PA.DWG	UNIT : INCH [mm]				