

THE INFORMATION CONTAINED HEREIN IS CONSIDERED "PROPRIETARY" TO BEL FUSE INC. AND SHALL NOT BE COPIED, REPRODUCED OR DISCLOSED WITHOUT THE WRITTEN APPROVAL OF BEL FUSE INC.

LED POLARITY			
PIN 9	PIN 10	PIN 11	COLOR
-	+	Z	GREEN
Z	+	-	YELLOW

ELECTRICAL CHARACTERISTICS @ 25°C

RETURN LOSS (MIN.)

1MHz-30MHz	-18 dB
60MHz-80MHz	-12 dB

INSERTION LOSS

100KHz TO 100MHz	-1.1 dB
------------------	---------

OCL @ 0.1V, 100KHz

8mA DC BIAS	350µH MIN.
-------------	------------

TURNS RATIO

1CT : 1CT ±2%

XTALK

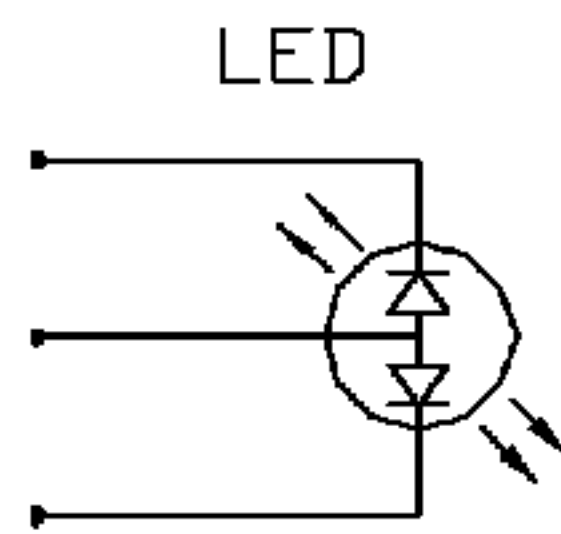
100KHz TO 100MHz	-35 dB MIN.
------------------	-------------

LED

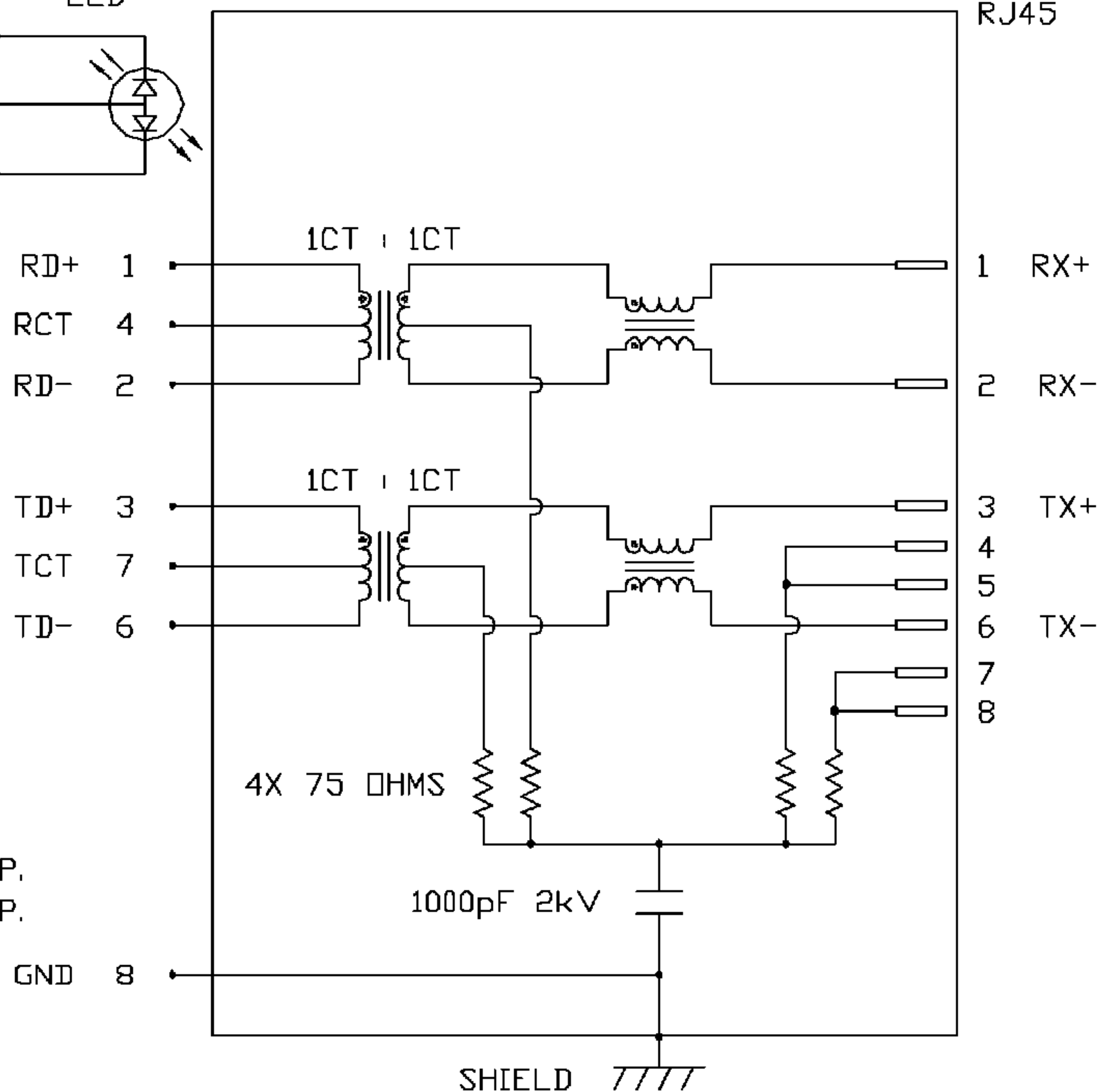
VF (FORWARD VOLTAGE)	IF=20mA	YELLOW	GREEN	2.2V TYP.
		YELLOW		2.1V TYP.

λD (DOMINANT WAVELENGTH)	IF=20mA	YELLOW	GREEN	570nm TYP.
		YELLOW		590nm TYP.

GREEN 9
COMMON 10
YELLOW 11



SCHEMATIC



DRWN DE	DATE 12-10-04
CHKD CHUNG	DATE 12-10-04

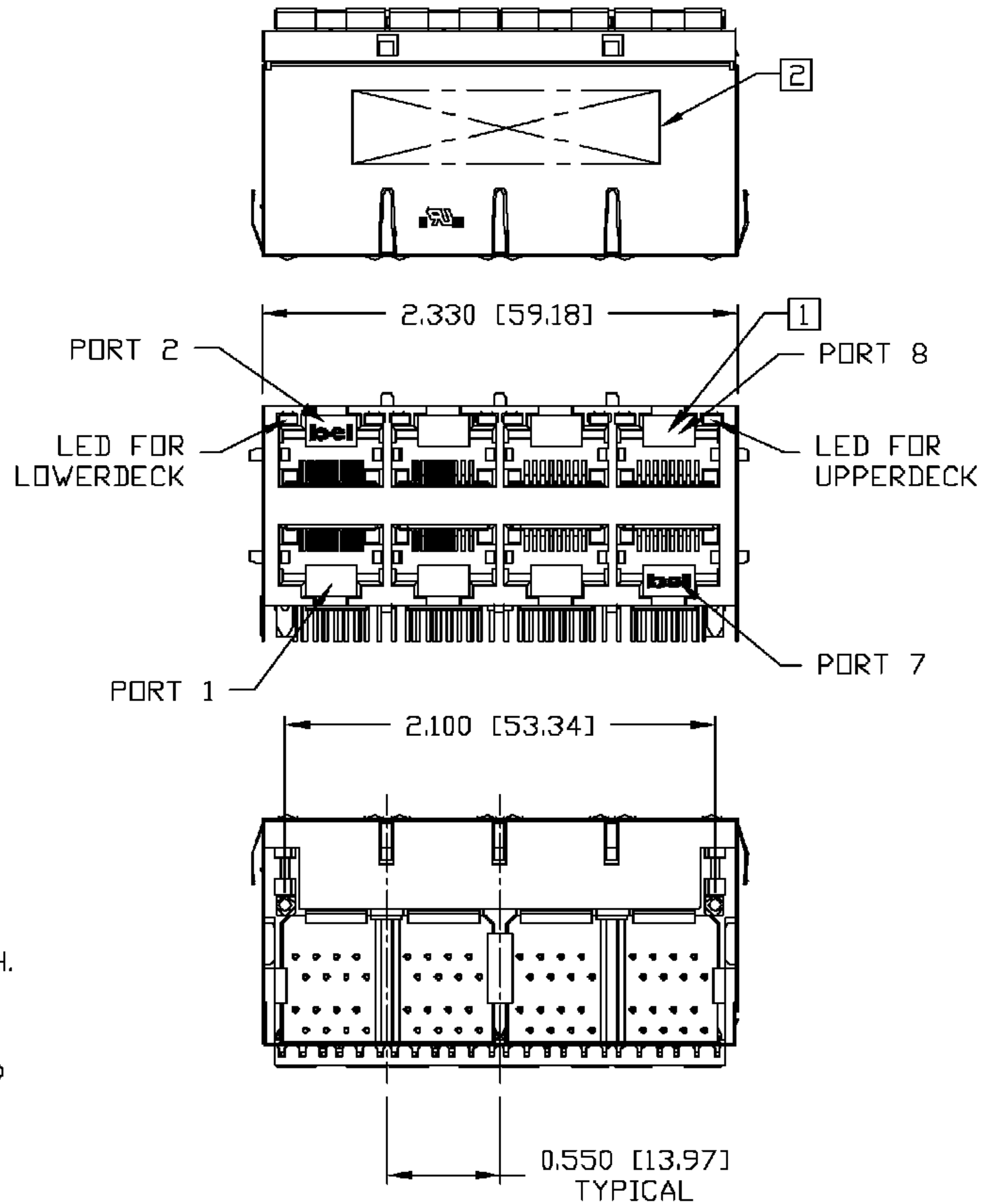
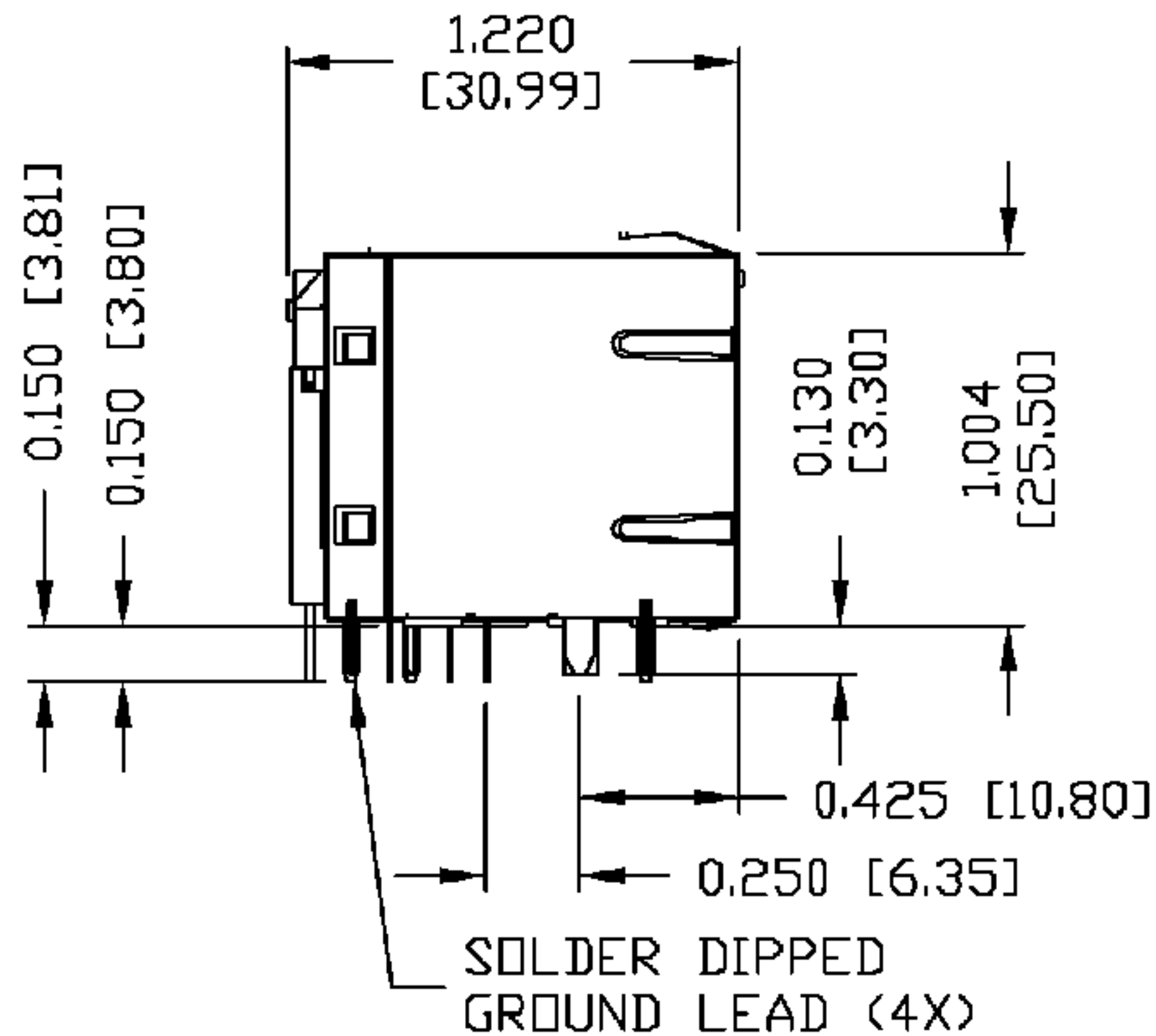
TITLE Stacked MagJack™ 10/100, 2X4 GREEN/YELLOW 3 WIRE LED, 0.150
--

PART NO. / DRAWING NO. 0810-2H4R-C8
FILE NAME 08102H4RC8A.DWG

STANDARD DIM. TOL. IN INCH	[] METRIC DIM. AS REFERENCE
.X	UNIT : INCH [mm]
.XX	SCALE : N/A
.XXX	REV. : A
	SIZE : A4
	PAGE : 2



THE INFORMATION CONTAINED HEREIN IS CONSIDERED "PROPRIETARY" TO BEL FUSE INC. AND SHALL NOT BE COPIED, REPRODUCED OR DISCLOSED WITHOUT THE WRITTEN APPROVAL OF BEL FUSE INC.



NOTES:

- PLASTIC HOUSING: THERMOPLASTIC PBT
FLAMMABILITY RATING UL 94V-0
- CONTACT PLATING: 30 MICRO-INCH HARD GOLD PLATING
- OUTPUT PINS: TIN-COATED COPPER WIRE, DIA 0.018 INCH.
- SOLDERABILITY: PER MIL STD. 202, METHOD 208.
- METAL SHIELD: NICKEL PLATED COPPER ALLOY.
(ALL GROUND LEADS ARE SOLDER DIPPED)

- 1 JACK CAVITY CONFORMS TO FCC RULES AND REGULATIONS, PART 68 SUBPART F.
- 2 MARK PART WITH MFG LOGO, NAME, PART NUMBER AND DATE CODE.

UL US UL RECOGNIZED - FILE #E196366 AND E169987.

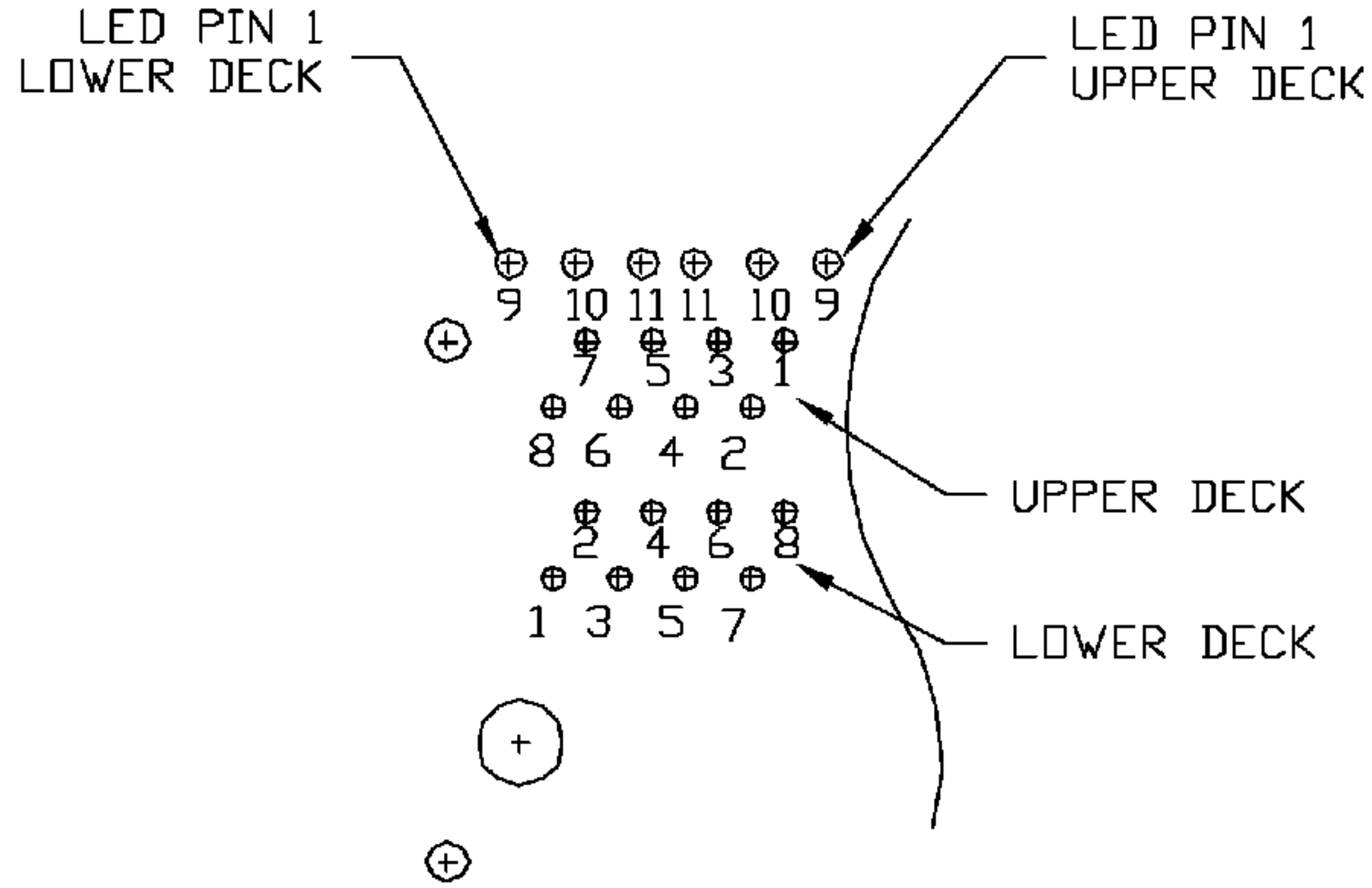
DRWN QIAN	DATE 12-10-04	TITLE Stacked MagJack™ 10/100, 2X4 GREEN/YELLOW 3 WIRE LED, 0.150
CHKD TAD/KEUNG	DATE 12-10-04	

PART NO. / DRAWING NO. 0810-2H4R-C8
FILE NAME 08102H4RC8A.DWG

STANDARD DIM. TOL. IN INCH	[] METRIC DIM. AS REFERENCE
.X	UNIT : INCH [mm] REV. : A
.XX	SCALE : N/A SIZE : A4
.XXX ±0.010	PAGE : 3



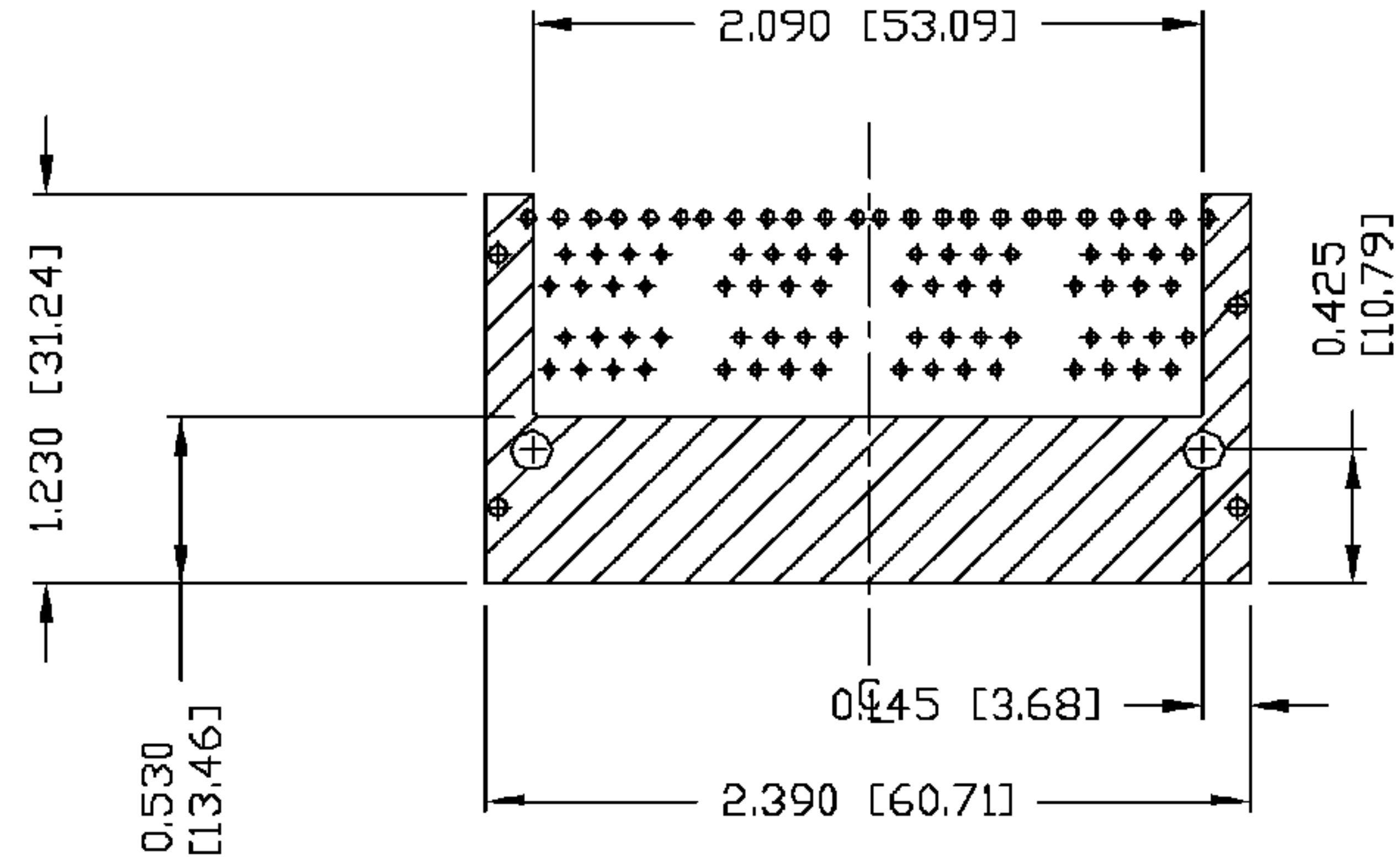
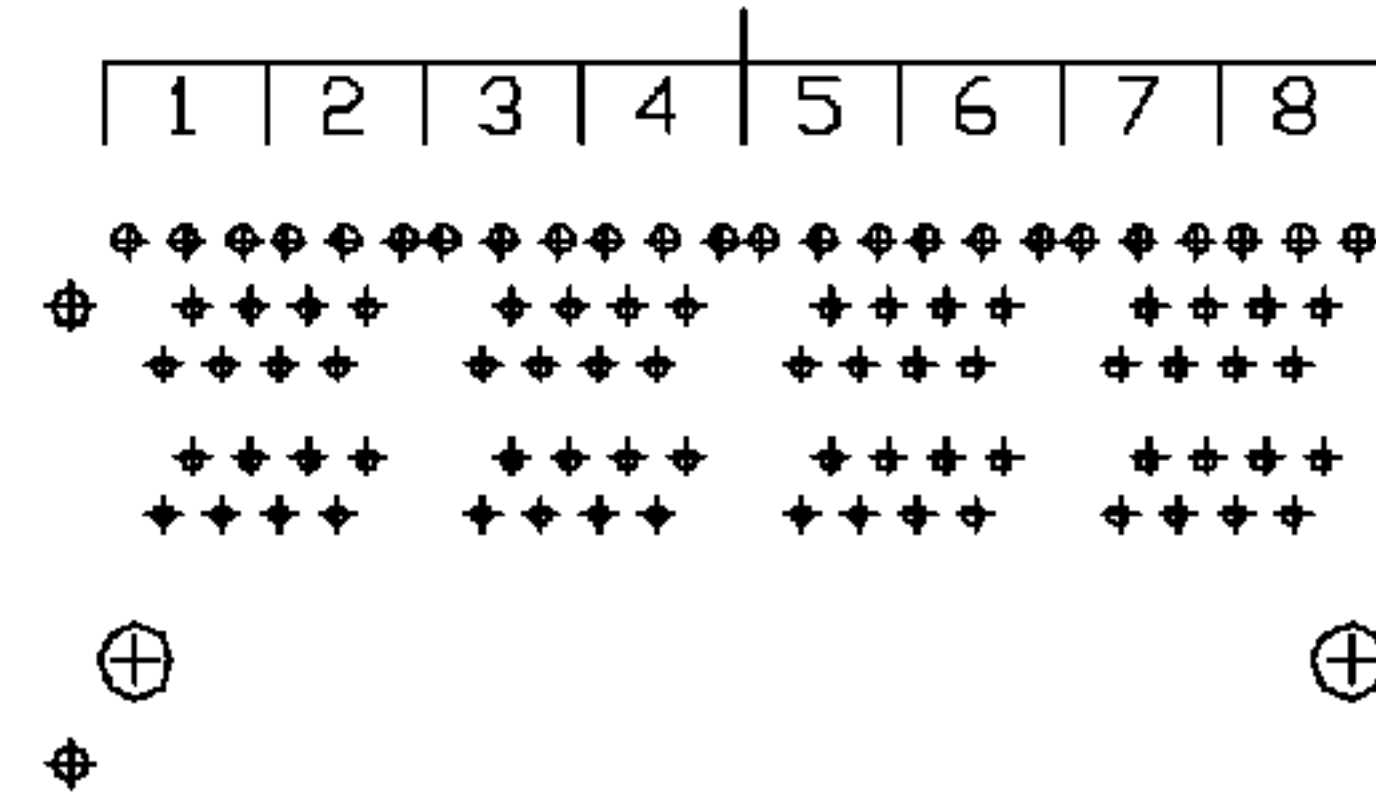
THE INFORMATION CONTAINED HEREIN IS CONSIDERED "PROPRIETARY" TO BEL FUSE INC. AND SHALL NOT BE COPIED, REPRODUCED OR DISCLOSED WITHOUT THE WRITTEN APPROVAL OF BEL FUSE INC.



PIN-OUT INFORMATION
(COMPONENT SIDE VIEW)

11	YELLOW LED CATHODE
10	COMMON ANODE
9	GREEN LED CATHODE
8	GND
7	TCT
6	TD-
5	NC
4	RCT
3	TD+
2	RD-
1	RD+

PORT ASSIGNMENT
(COMPONENT SIDE VIEW)



THE SHADED AREA OF BOTTOM SIDE OF PART MAY BE COVERED BY METAL SHIELD.

DRWN QIAN	DATE 12-10-04	TITLE Stacked MagJack™ 10/100, 2X4 GREEN/YELLOW 3 WIRE LED, 0.150	PART NO. / DRAWING NO. 0810-2H4R-C8	STANDARD DIM. TOL. IN INCH .X .XX .XXX	[] METRIC DIM. AS REFERENCE UNIT : INCH [mm] SCALE : N/A	REV. : A SIZE : A4 PAGE : 4
CHKD TAD/KEUNG	DATE 12-10-04					

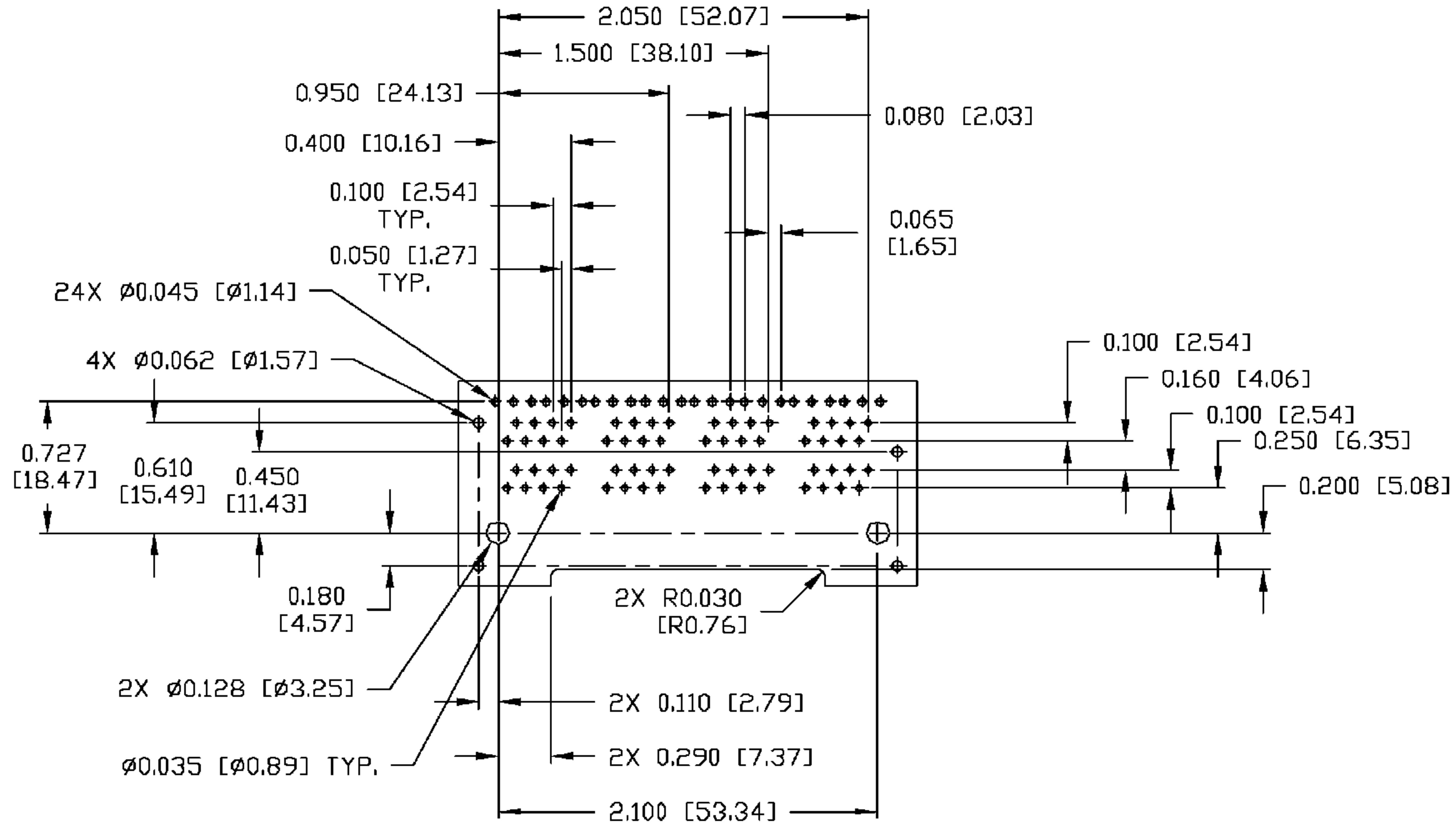
FILE NAME 08102H4RC8A.DWG

±0.010

UNIT : INCH [mm]	REV. : A
SCALE : N/A	SIZE : A4
PAGE : 4	



THE INFORMATION CONTAINED HEREIN IS CONSIDERED "PROPRIETARY" TO BEL FUSE INC. AND SHALL NOT BE COPIED, REPRODUCED OR DISCLOSED WITHOUT THE WRITTEN APPROVAL OF BEL FUSE INC.



SUGGESTED FOOTPRINT
(COMPONENT SIDE VIEW)

DRWN QIAN	DATE 12-10-04
CHKD TAD/KEUNG	DATE 12-10-04

TITLE Stacked MagJack™ 10/100, 2X4 GREEN/YELLOW 3 WIRE LED, 0.150
--

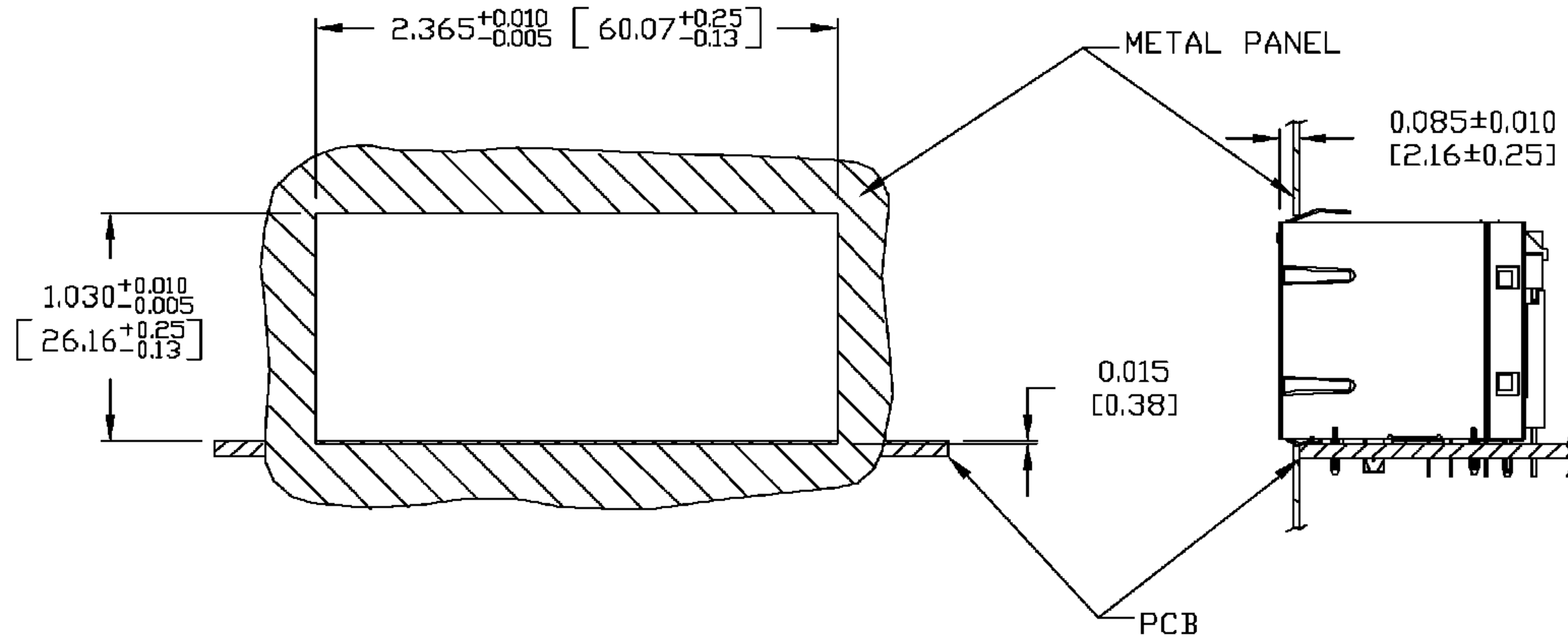
PART NO. / DRAWING NO. 0810-2H4R-C8
FILE NAME 08102H4RC8A.DWG

STANDARD DIM. TOL. IN INCH		[] METRIC DIM. AS REFERENCE	
.X		UNIT : INCH [mm]	REV. : A
.XX		SCALE : N/A	SIZE : A4
.XXX	±0.010		PAGE : 5



THE INFORMATION CONTAINED HEREIN IS CONSIDERED "PROPRIETARY" TO BEL FUSE INC. AND SHALL NOT BE COPIED, REPRODUCED OR DISCLOSED WITHOUT THE WRITTEN APPROVAL OF BEL FUSE INC.

SUGGESTED PANEL OPENING



NOTES:

THE DISTANCE OF PANEL INSIDE SURFACE RELATIVE TO FRONT SURFACE OF PART IS ONLY A SUGGESTION. IN CASE THIS DISTANCE IS DIFFERENT, THE REQUIRED PANEL OPENING DIMENSIONS CHANGE ACCORDINGLY.

PACKING INFORMATION

PACKING TRAY : 0200-9999-E7 (TOP)
0200-9999-E8 (BOTTOM)

PACKING QUANTITY : 20 PCS FINISHED GOODS PER TRAY
7 TRAYS (140 PCS FINISHED GOODS) PER CARTON BOX

THE DISTANCE OF PANEL INSIDE SURFACE RELATIVE TO FRONT SURFACE OF PART IS ONLY A SUGGESTION. IN CASE THIS DISTANCE IS DIFFERENT, THE REQUIRED PANEL OPENING DIMENSIONS CHANGE ACCORDINGLY.

DRWN QIAN		DATE 12-10-04	TITLE Stacked MagJack™ 10/100, 2X4 GREEN/YELLOW 3 WIRE LED, 0.150	PART NO. / DRAWING NO. 0810-2H4R-C8		STANDARD DIM. TOL. IN INCH		[] METRIC DIM. AS REFERENCE		bel COMPONENTS FOR A CONNECTED PLANET
CHKD TAD/KEUNG		DATE 12-10-04		FILE NAME 08102H4RC8A.DWG		.X	/	UNIT : INCH [mm]	REV. : A	
					.XX	.XXX		SCALE : N/A	SIZE : A4	
					±0.004			PAGE : 6		