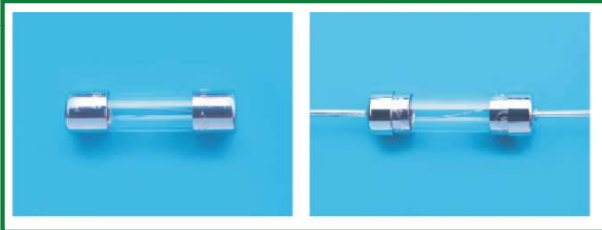


Type 5TT / 5TTP Slow Blow Fuse Series

5 x 20mm Glass Tube
RoHS 6 Compliant

HF **Pb** 5TT / 5TTP Series, 5 x 20mm Slow Blow Fuse

UL **US** **CS** **SP** **SP** **PS** **E** **CE**



Description

5x20mm Slow Blow, glass tube body cartridge fuse designed, approved and complied with UL and CSA standard 248-14.

Electrical Characteristics (UL / CSA STD.248-14)

Testing current	Blow Time		Amp range
	Minimum	Maximum	
100%	4 Hrs.	N/A	80mA - 10A
135%	N/A	1 Hr	80mA - 10A
200%	5 sec	30 sec	80mA - 3A
200%	3 sec	30 sec	3.1A - 10A

Features

- Meet UL and CSA standard 248-14
- Wide operating temperature range
- Bulk and Tape & Reel packing available
- RoHS6 compliant
- Halogen Free
- Leadfree

Applications

Provide individual protection for components or internal circuits.

- Power Supplies
- Battery charger
- Monitor
- Adapter

LEAD FREE = **Pb**

HALOGEN FREE = **HF**

Safety Agency Approvals

SAFETY AGENCY	SAFETY AGENCY CERTIFICATE NUMBER	AMPERE RANGE / VOLT @ I.R.ABILITY
UL US	E20624	80mA -3A / 250V AC @100A 500mA - 8A / 125V AC @10,000A
SP	LR39772	
UL US	E20624	10A / 125V AC @1,000A
SP	LR39772	
PS E	JET 1037-31003-1010 JET 1037-31003-1011	1A - 5A / 125V AC @500A
	JET 1037-31003-1007	>5A - 15A / 125V AC @300A
CE		80mA -10A / 250V AC @100A 500mA - 8A / 125V AC @10,000A 10A / 125V AC @1,000A

Specifications subject to change without notice

Type 5TT / 5TTP

Slow Blow Fuse Series

5 x 20mm Glass Tube
RoHS 6 Compliant



bel

5TT May2012D

Electrical Specifications

Catalog Number	Ampere Rating	Typical Cold Resistance (ohm)	Volt-drop @100% In (Volt) Max.	Voltage Rating (V)	Interrupting Rating	Melting I ² T <10 m Sec (A ² Sec)	Melting I ² T @ 10 In (A ² Sec)	Maximum Power Dissipation (W)	Agency Approvals					
									UL US	UL US	SP	SP	PS E	CE
5TT (P) 80-R	80mA	29	3.10	250	80mA-3A/250V AC @100A	0.091	0.096	0.42	Y			Y		Y
5TT (P) 100-R	100mA	18.8	2.52	250		0.137	0.146	0.45	Y			Y		Y
5TT (P) 125-R	125mA	12.6	2.22	250		0.208	0.221	0.48	Y			Y		Y
5TT (P) 160-R	160mA	7.6	1.88	250		0.314	0.337	0.51	Y			Y		Y
5TT (P) 200-R	200mA	4.98	1.45	250		0.476	0.512	0.55	Y			Y		Y
5TT (P) 250-R	250mA	3.39	1.25	250		0.719	0.778	0.58	Y			Y		Y
5TT (P) 300-R	300mA	2.13	0.97	250		0.885	0.959	0.60	Y			Y		Y
5TT (P) 400-R	400mA	1.33	0.83	250		1.65	1.80	0.66	Y			Y		Y
5TT (P) 500-R	500mA	0.865	0.67	250		2.5	2.7	0.70	Y			Y		Y
5TT (P) 600-R	600mA	0.679	0.64	250		3.8	4.2	0.75	Y			Y		Y
5TT (P) 700-R	700mA	0.465	0.49	250		4.6	5.1	0.78	Y			Y		Y
5TT (P) 750-R	750mA	0.438	0.48	250		5.3	5.8	0.79	Y			Y		Y
5TT (P) 1-R	1A	0.258	0.40	250		8.6	9.6	0.85	Y			Y	Y	Y
5TT (P) 1.25-R	1.25A	0.179	0.34	250		13	15	0.91	Y			Y	Y	Y
5TT (P) 1.5-R	1.5A	0.126	0.30	250		18	21	0.96	Y			Y	Y	Y
5TT (P) 1.6-R	1.6A	0.116	0.30	250		20	22	0.97	Y			Y	Y	Y
5TT (P) 2-R	2A	0.081	0.27	250		30	34	1.03	Y			Y	Y	Y
5TT (P) 2.5-R	2.5A	0.056	0.23	250		45	51	1.10	Y			Y	Y	Y
5TT (P) 3-R	3A	0.043	0.21	250		56	63	1.13	Y			Y	Y	Y
5TT (P) 3.15-R	3.15A	0.040	0.21	125		68	78	1.17				Y	Y	Y
5TT (P) 4-R	4A	0.029	0.19	125	103	119	1.25				Y	Y	Y	
5TT (P) 5-R	5A	0.020	0.17	125	157	180	1.33				Y	Y	Y	
5TT (P) 6-R	6A	0.015	0.15	125	218	317	1.23				Y	Y	Y	
5TT (P) 6.3-R	6.3A	0.014	0.12	125	230	345	1.25				Y	Y	Y	
5TT (P) 7-R	7A	0.012	0.13	125	295	459	1.37				Y	Y	Y	
5TT (P) 8-R	8A	0.011	0.13	125	319	472	1.31				Y	Y	Y	
5TT (P) 10-R	10A	0.008	0.13	125	125V AC @10,000A	467	703	1.40		Y	Y		Y	Y

Consult manufacturer for other ratings

CORPORATE OFFICE

Bel Fuse Inc.
206 Van Vorst Street
Jersey City, NJ 07302
Tel 201-432-0463
Fax 201-432-9542
E-Mail: belfuse@belf.com
Website: www.belfuse.com

FAR EAST OFFICE

Bel Fuse Ltd.
8/F Luk Hop Industrial Building
8 Luk Hop Street
San Po Kong
Kowloon, Hong Kong
Tel 852-2328-5515
Fax 852-2352-3706

EUROPE OFFICE

Bel Fuse Europe Ltd.
Preston Technology Management Centre
Marsh Lane, Suite F15
Preston, Lancashire, PR1 8UQ
United Kingdom
Tel 44-1772-556601
Fax 44-1772-561008

EUROPE

Bel Stewart GmbH
Industriestrasse 20
61381 Friedrichsdorf
Germany
Tel 49-6172-9552-0
Fax 49-6172-9552-40

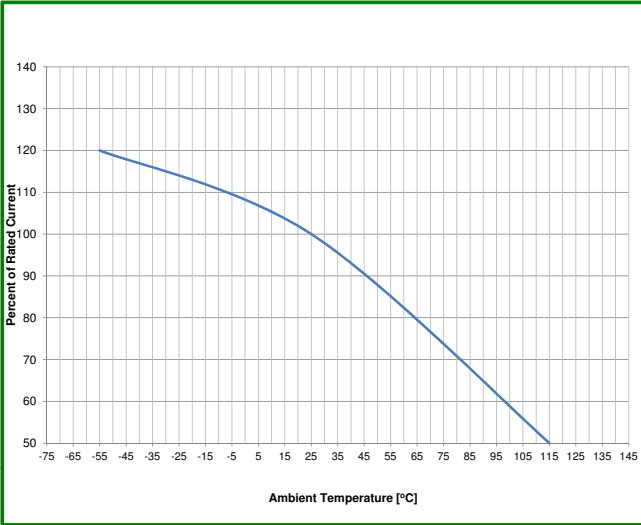
Type 5TT / 5TTP Slow Blow Fuse Series

5 x 20mm Glass Tube
RoHS 6 Compliant

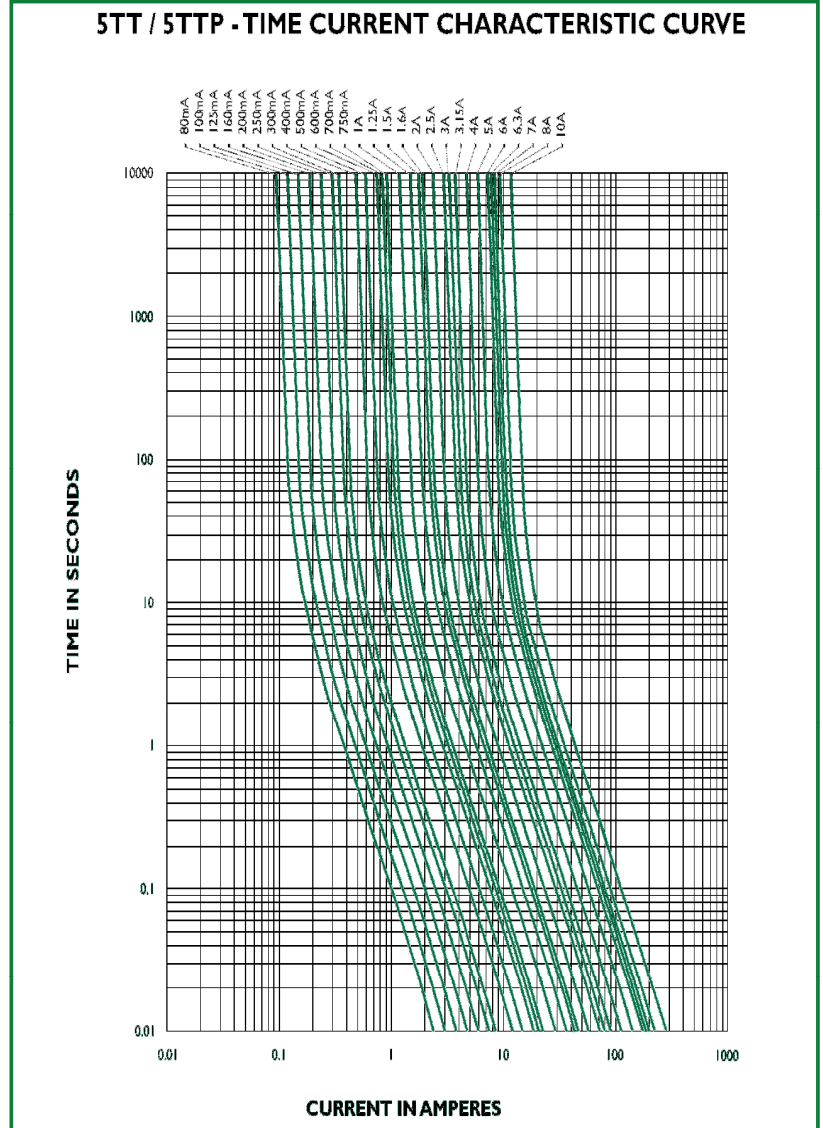


5TT May2012C

Temperature Derating Curve

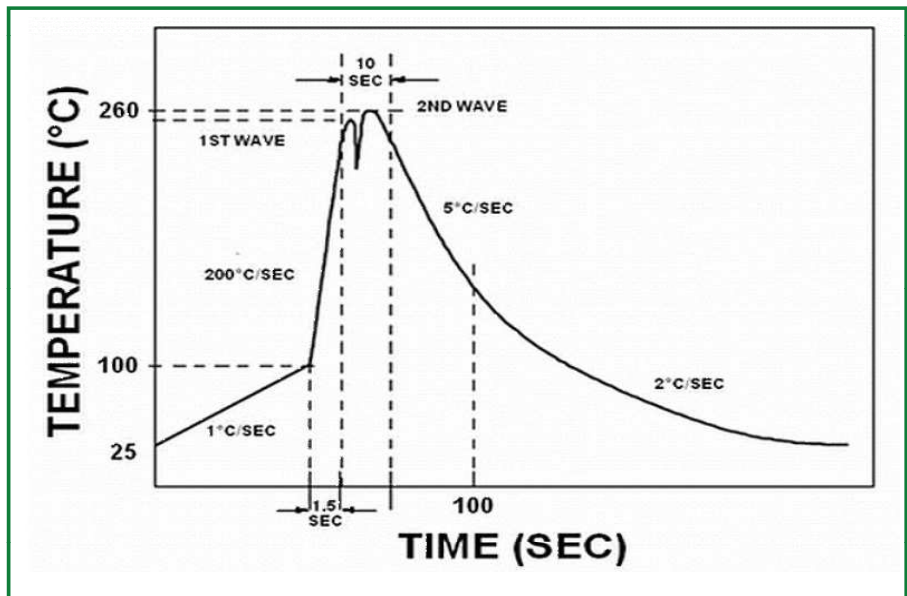


Average Time Current Curve



Soldering Parameters

Lead-free Wave Soldering Profile	
Wave Soldering Parameter	
Average ramp-up rate	200°C / second
Heating rate during preheat	typical 1 - 2°C / second Max. 4°C / second
Final preheat temperature	within 125°C of soldering temperature
Peak temperature T _p	260°C
Time within +0°C / -5°C of actual peak temperature	10 seconds
Ramp-down rate	5°C / second max.



Type 5TT / 5TTP Slow Blow Fuse Series

5 x 20mm Glass Tube
RoHS 6 Compliant



5TT May2012D

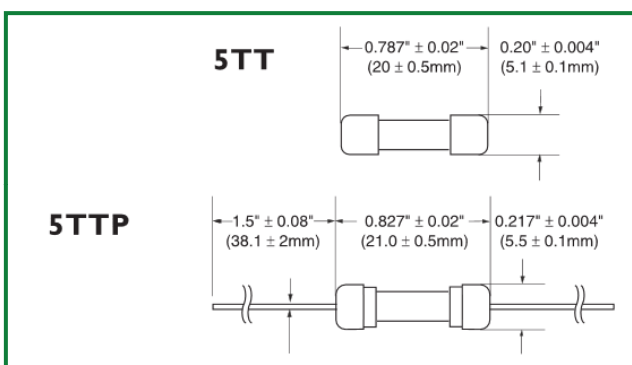
Physical Specifications

Materials	Body : Glass
	Cap : Nickel Plated Brass Caps
	Leads: Matte Tin Plated Copper
Marking	On Fuse:
	"bel" , "5TT" , " Current Rating" ,"Voltage Rating" ,
	"Appropriate Safety Logos" , " "(RoHS 6 compliant)
	On label:
	"bel" , "5TT" , or "5TTP" ,"Current Rating" ,"Voltage Rating" ,"Interrupting Rating" , "Appropriate Safety Logos" and "(China RoHS compliant).

Environmental Specifications

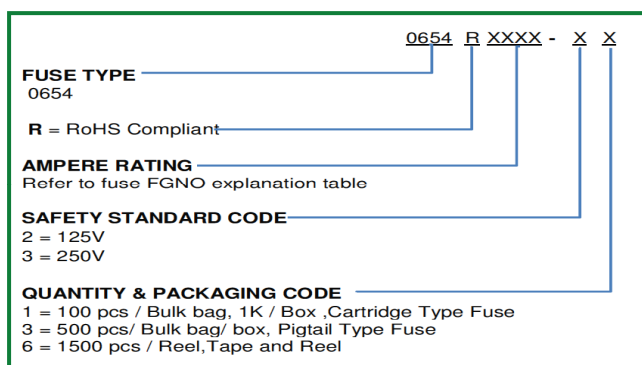
Shock Resistance	MIL-STD-202G, Method 213B, Test Condition I (100 G's peak for 6 milliseconds; Sawtooth Waveform)
Vibration Resistance	MIL-STD-202G, Method 201A (10-55 Hz, 0.06 inch, total excursion).
Salt Spray Resistance	MIL-STD-202G, Method 101E, Test condition B (48 hrs).
Insulation Resistance	MIL-STD-202G, Method 302, Test Condition A (After Opening) 10,000 ohms minimum.
Solderability	MIL-STD-202G, Method 208H
Resistance to solder Heat	MIL-STD-202G Method 210F, Test Condition B.(260+/-5°C, 10+/- 1 sec)
Thermal Shock	MIL-STD-202G, Method 107G, Test Condition B (-65°C to +125°C).
Operating Temperature	-55°C to +125°C
Terminal Strength	IEC-68-2-21

Mechanical Dimensions



* Ratings 5A and less have 0.032" diameter lead with glass tube
Ratings 6A and above have 0.040" diameter lead with ceramic tube

Ordering Information



Specifications subject to change without notice

Packaging

Packaging Option	Packaging Specification	Quantity	Packaging Code	Inside Tape Spacing
Bulk	N/A	100	33 / 21 / 51	N/A
Bulk (Pigtail Type)	N/A	500	33 / 23 / 53	N/A
Tape & Reel, 10 mm Pitch	EIA-296-F	1500	36 / 26 / 56	63

CORPORATE OFFICE

Bel Fuse Inc.
206 Van Vorst Street
Jersey City, NJ 07302
Tel 201-432-0463
Fax 201-432-9542
E-Mail: belfuse@belf.com
Website: www. belfuse.com

FAR EAST OFFICE

Bel Fuse Ltd.
8/F Luk Hop Industrial Building
8 Luk Hop Street
San Po Kong
Kowloon, Hong Kong
Tel 852-2328-5515
Fax 852-2352-3706

EUROPE OFFICE

Bel Fuse Europe Ltd.
Preston Technology Management Centre
Marsh Lane, Suite F15
Preston, Lancashire, PR1 8UQ
United Kingdom
Tel 44-1772-556601
Fax 44-1772-561008

EUROPE

Bel Stewart GmbH
Industriestrasse 20
61381 Friedrichsdorf
Germany
Tel 49-6172-9552-0
Fax 49-6172-9552-40