

SKY13398-000: 0.02 – 6.0 GHz pHEMT GaAs SP3T Switch

Applications

- 802.11 a/b/g/n WLAN networks
- Bluetooth® systems

Features

- Positive low voltage control: 0/1.8 to 5.0 V
- Low insertion loss: 0.8 dB @ 2.5 GHz
- Excellent linearity performance: P1dB = +33 dBm
- Advanced pHEMT process
- Bare pHEMT die: 650 x 450 x 127 μm



Skyworks Green™ products are compliant with all applicable legislation and are halogen-free. For additional information, refer to *Skyworks Definition of Green™*, document number SQ04-0074.

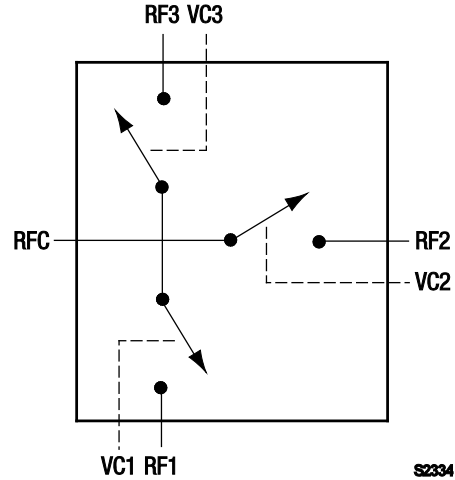
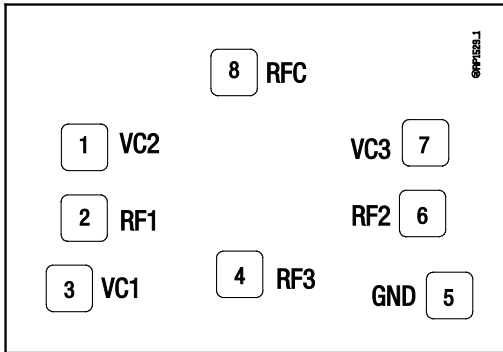


Figure 1. SKY13398-000 Block Diagram



S2333

Figure 2. SKY13398-000 Pinout (Top View)

Description

The SKY13398-000 is a GaAs pHEMT Single-Pole, Triple-Throw (SP3T) antenna switch that operates in the 0.1 to 6.0 GHz frequency range. Switching between the antenna (RFC signal) and the RF1, RF2, and RF3 ports is accomplished with three control voltages (VC1, VC2, and VC3). This switch is a reflective short when in the isolation state.

The low loss, high isolation, high linearity, small size, and low cost make this switch ideal for all WLAN and Bluetooth systems operating in the 2.4 to 2.5 and 4.9 to 5.9 GHz bands.

The SKY13398-000 is provided as a bare die in an ultra-compact 650 x 450 x 127 μm design. A functional block diagram is shown in Figure 1. The pin configuration and package are shown in Figure 2. Signal pin assignments and functional pin descriptions are provided in Table 1.

Table 1. SKY13398-000 Signal Descriptions

Pin #	Name	Description	Pin #	Name	Description
1	VC2	Switch logic control (see Table 4)	5	GND	Ground
2	RF1	RF port 1. DC blocking capacitor required.	6	RF2	RF port 2. DC blocking capacitor required.
3	VC1	Switch logic control (see Table 4)	7	VC3	Switch logic control (see Table 4)
4	RF3	RF port 3. DC blocking capacitor required.	8	RFC	Antenna. DC blocking capacitor required.

Table 2. SKY13398-000 Absolute Maximum Ratings

Parameter	Symbol	Minimum	Maximum	Units
Control voltage (VC1, VC2, VC3)	V _{CC}		+6	V
RF input power	P _{IN}		+33	dBm
Operating temperature	T _{OP}	-40	+85	°C
Storage temperature	T _{STG}	-65	+150	°C

Note: Exposure to maximum rating conditions for extended periods may reduce device reliability. There is no damage to device with only one parameter set at the limit and all other parameters set at or below their nominal value. Exceeding any of the limits listed here may result in permanent damage to the device.

CAUTION: *Although this device is designed to be as robust as possible, Electrostatic Discharge (ESD) can damage this device. This device must be protected at all times from ESD. Static charges may easily produce potentials of several kilovolts on the human body or equipment, which can discharge without detection. Industry-standard ESD precautions should be used at all times.*

Electrical and Mechanical Specifications

The absolute maximum ratings of the SKY13398-000 are provided in Table 2. Electrical specifications are provided in Table 3.

Typical performance characteristics of the SKY13398-000 are illustrated in Figures 3 through 6.

The state of the SKY13398-000 is determined by the logic provided in Table 4.

Table 3. SKY13398-000 Electrical Specifications (Note 1)
(V_{HIGH} = 3.3 V, T_{OP} = +25 °C, Unless Otherwise Noted)

Parameter	Symbol	Test Condition	Min	Typical	Max	Units
Insertion loss	IL	RFC to RF1, RF2, RF3				
		0.02 to 1.0 GHz		0.55	0.70	dB
		1.0 to 2.5 GHz		0.80	0.90	dB
		2.5 to 6.0 GHz		1.50	1.80	dB
Isolation	ISO	RFC to RF1, RF2, RF3				
		0.02 to 1.0 GHz	25	27	dB	
		1.0 to 2.5 GHz	18	20	dB	
		2.5 to 6.0 GHz	12	15	dB	
Return loss (insertion loss state)	RL	RFC to RF1, RF2, RF3				
		0.02 to 1.0 GHz	20	22	dB	
		1.0 to 2.5 GHz	15	18	dB	
		2.5 to 6.0 GHz	13	15	dB	
Switching speed		50% control to 90/10% RF		50		ns
Harmonics, 2 nd , 3 rd , 4 th	2fo, 3fo, 4fo	P _{IN} = +20 dBm		-70		dBc
1 dB Input Compression Point	IP1dB	@ 2450 MHz		+33		dBm
3 rd Order Input Intercept Point	IIP3	@ 2450 MHz, Δf = 1 MHz, P _{IN} = +17 dBm/tone, V _{LOW} = 0 V, V _{HIGH} = 3.3 V		+50		dBm
Current leakage		V _{CTL} = 3.3 V		50		μA
Control voltage:	V _{CTL}					
		Low	0		0.2	V
High		1.8		5.0	V	

Note 1: Performance is guaranteed only under the conditions listed in this Table.

Typical Performance Characteristics

(RFC to RF1/RF2/RF3 [0, 3.3 V], $T_{OP} = +25\text{ }^{\circ}\text{C}$, Characteristic Impedance [Z_0] = 50 Ω , Performance Includes Wirebond Inductance, Unless Otherwise Noted)

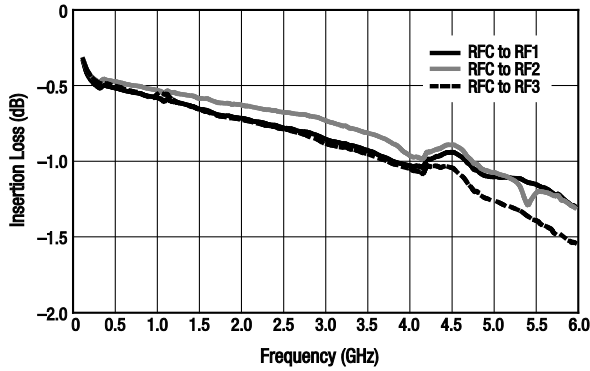


Figure 3. Insertion Loss vs Frequency

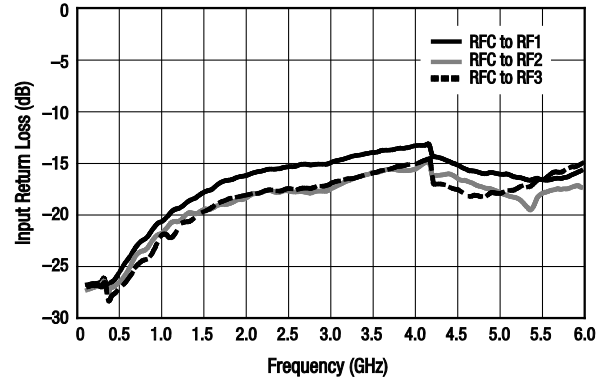


Figure 4. Input Return Loss vs Frequency
(Insertion Loss State, $V_{CTL} = 3.0\text{ V}$)

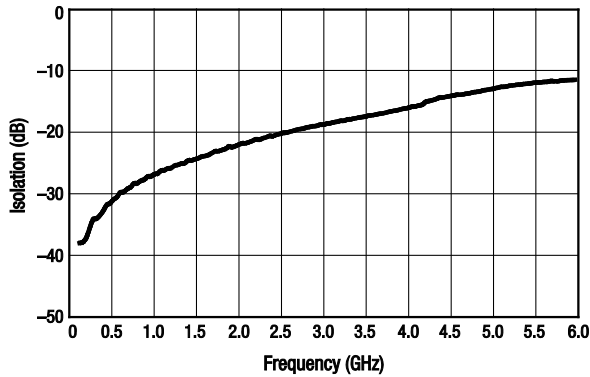


Figure 5. Isolation vs Frequency

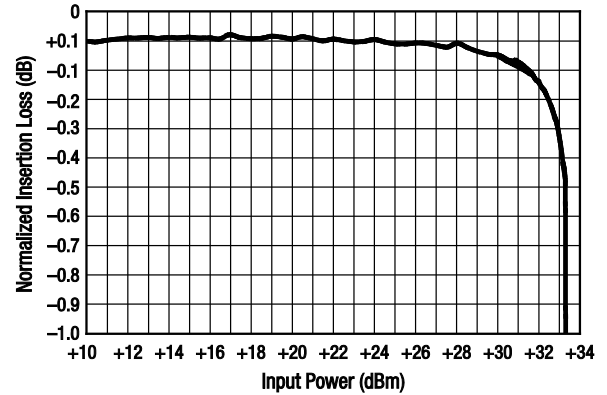


Figure 6. Normalized Insertion Loss vs Input Power

Table 4. SKY13398-000 Truth Table

VC1 (Pin 3)	VC2 (Pin 1)	VC3 (Pin 7)	Low Insertion Loss Path
High	Low	Low	RFC to RF1
Low	High	Low	RFC to RF2
Low	Low	High	RFC to RF3

Note: High = 1.8 V to 5.0 V. Low = 0 V to 0.2 V. Any state other than described in this Table places the switch into an undefined state. An undefined state will not damage the device.

Evaluation Board Description

The SKY13398-000 Evaluation Board is used to test the performance of the SKY13398-000 SP3T Switch. An Evaluation Board schematic diagram is provided in Figure 7. An assembly Board schematic diagram is provided in Figure 7. An assembly drawing for the Evaluation Board is shown in Figure 8.

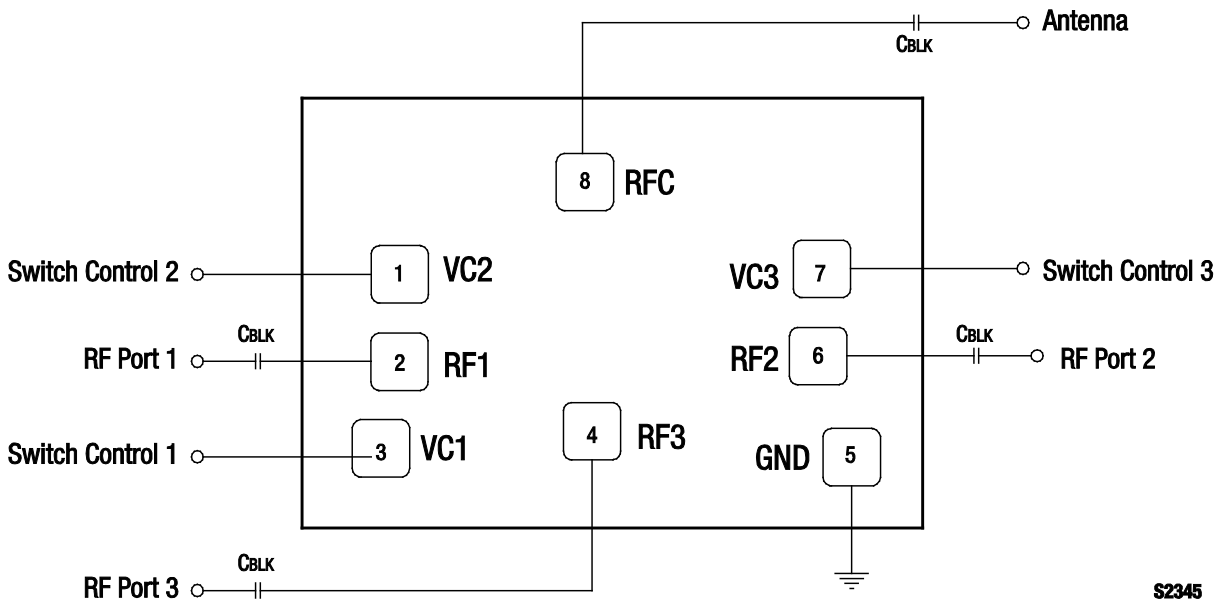
Package Dimensions

Package dimensions for the SKY13398-000 die are shown in Figure 9. The SKY13398-000 is shipped on a grip ring as illustrated in Figure 10.

Package and Handling Information

Instructions on the shipping container label regarding exposure to moisture after the container seal is broken must be followed. Otherwise, problems related to moisture absorption may occur when the part is subjected to high temperature during solder assembly.

The SKY13398-000 has no backside metal and must be attached using conductive or non-conductive epoxy.



S2345

Figure 7. SKY13398-000 Evaluation Board Schematic

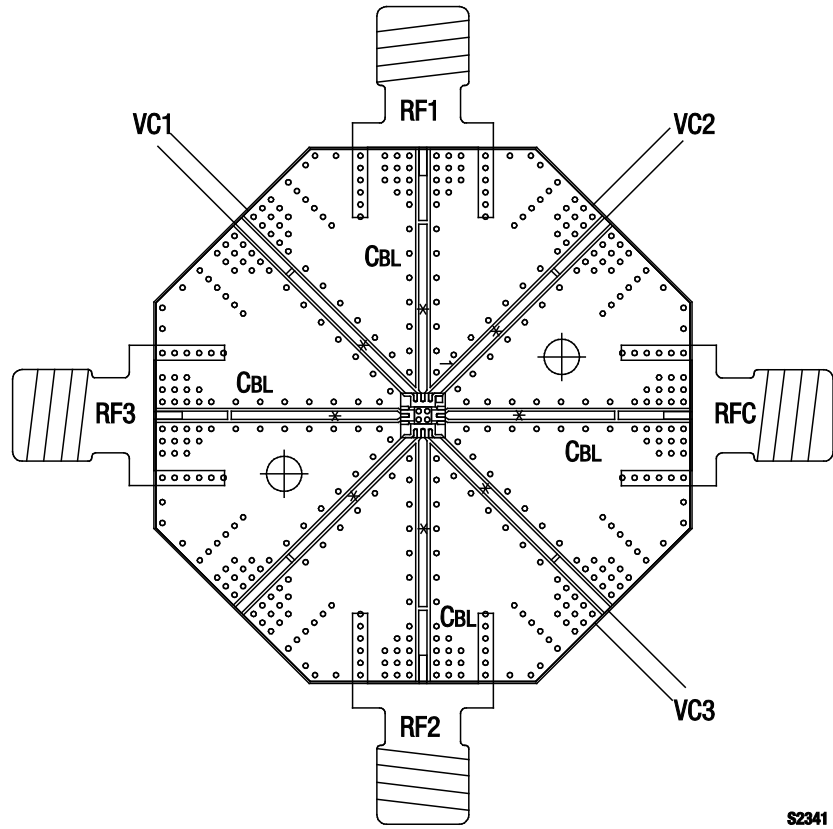


Figure 8. SKY13398-000 Evaluation Board Assembly Diagram

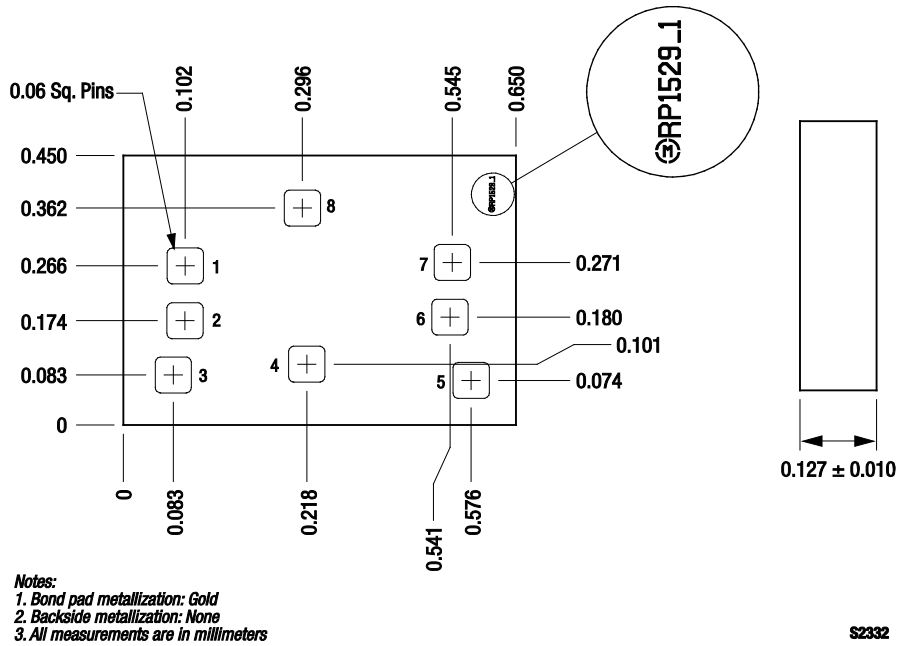
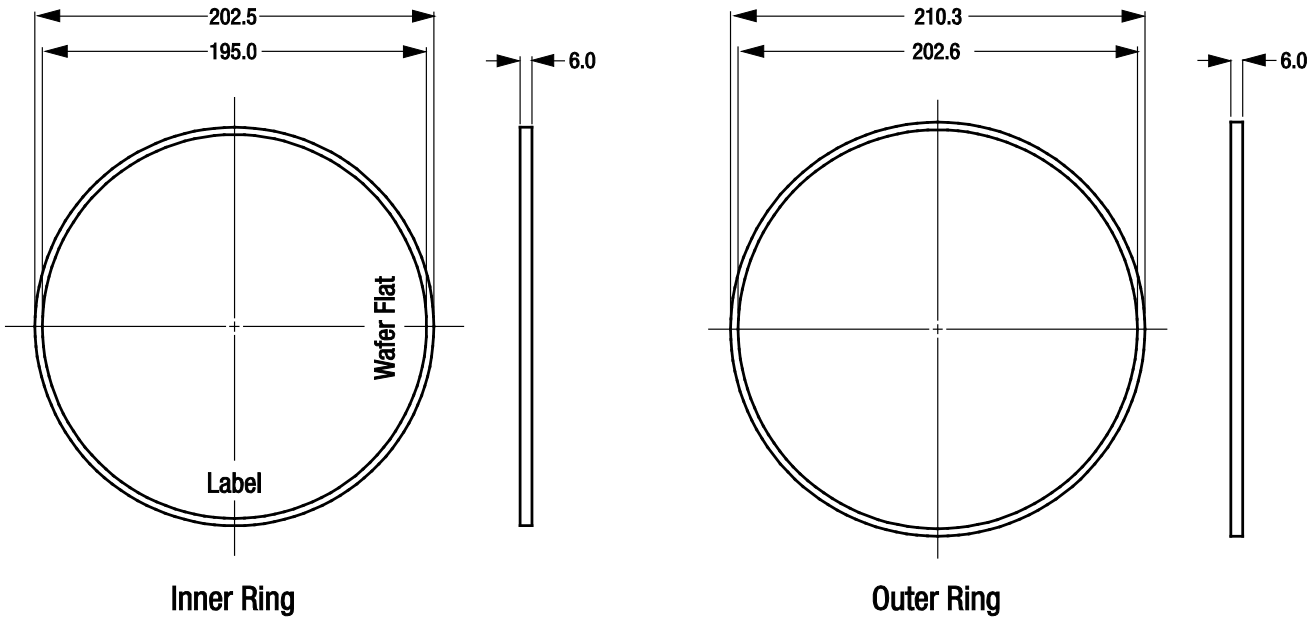


Figure 9. SKY13398-000 8-Pin Package Dimensions



- Notes:**
1. All dimensions in millimeters.
2. Tape material: exposed UV tape.
3. Tape adhesion: ≤ 30 gm/in.

Grip Ring Number: GRP-2620-6

S2347

Figure 10. SKY13398-000 Grip Ring Dimensions

Ordering Information

Model Name	Manufacturing Part Number	Evaluation Board Part Number
SKY13398-000 0.1-6.0 GHz SP3T Switch	SKY13398-000	SKY13398-000-EVB

Copyright © 2011 Skyworks Solutions, Inc. All Rights Reserved.

Information in this document is provided in connection with Skyworks Solutions, Inc. (“Skyworks”) products or services. These materials, including the information contained herein, are provided by Skyworks as a service to its customers and may be used for informational purposes only by the customer. Skyworks assumes no responsibility for errors or omissions in these materials or the information contained herein. Skyworks may change its documentation, products, services, specifications or product descriptions at any time, without notice. Skyworks makes no commitment to update the materials or information and shall have no responsibility whatsoever for conflicts, incompatibilities, or other difficulties arising from any future changes.

No license, whether express, implied, by estoppel or otherwise, is granted to any intellectual property rights by this document. Skyworks assumes no liability for any materials, products or information provided hereunder, including the sale, distribution, reproduction or use of Skyworks products, information or materials, except as may be provided in Skyworks Terms and Conditions of Sale.

THE MATERIALS, PRODUCTS AND INFORMATION ARE PROVIDED “AS IS” WITHOUT WARRANTY OF ANY KIND, WHETHER EXPRESS, IMPLIED, STATUTORY, OR OTHERWISE, INCLUDING FITNESS FOR A PARTICULAR PURPOSE OR USE, MERCHANTABILITY, PERFORMANCE, QUALITY OR NON-INFRINGEMENT OF ANY INTELLECTUAL PROPERTY RIGHT; ALL SUCH WARRANTIES ARE HEREBY EXPRESSLY DISCLAIMED. SKYWORKS DOES NOT WARRANT THE ACCURACY OR COMPLETENESS OF THE INFORMATION, TEXT, GRAPHICS OR OTHER ITEMS CONTAINED WITHIN THESE MATERIALS. SKYWORKS SHALL NOT BE LIABLE FOR ANY DAMAGES, INCLUDING BUT NOT LIMITED TO ANY SPECIAL, INDIRECT, INCIDENTAL, STATUTORY, OR CONSEQUENTIAL DAMAGES, INCLUDING WITHOUT LIMITATION, LOST REVENUES OR LOST PROFITS THAT MAY RESULT FROM THE USE OF THE MATERIALS OR INFORMATION, WHETHER OR NOT THE RECIPIENT OF MATERIALS HAS BEEN ADVISED OF THE POSSIBILITY OF SUCH DAMAGE.

Skyworks products are not intended for use in medical, lifesaving or life-sustaining applications, or other equipment in which the failure of the Skyworks products could lead to personal injury, death, physical or environmental damage. Skyworks customers using or selling Skyworks products for use in such applications do so at their own risk and agree to fully indemnify Skyworks for any damages resulting from such improper use or sale.

Customers are responsible for their products and applications using Skyworks products, which may deviate from published specifications as a result of design defects, errors, or operation of products outside of published parameters or design specifications. Customers should include design and operating safeguards to minimize these and other risks. Skyworks assumes no liability for applications assistance, customer product design, or damage to any equipment resulting from the use of Skyworks products outside of stated published specifications or parameters.

Skyworks, the Skyworks symbol, and “Breakthrough Simplicity” are trademarks or registered trademarks of Skyworks Solutions, Inc., in the United States and other countries. Third-party brands and names are for identification purposes only, and are the property of their respective owners. Additional information, including relevant terms and conditions, posted at www.skyworksinc.com, are incorporated by reference.