

For Gaming Equipment, ATMs : CF, CG series KD2008-CF10A

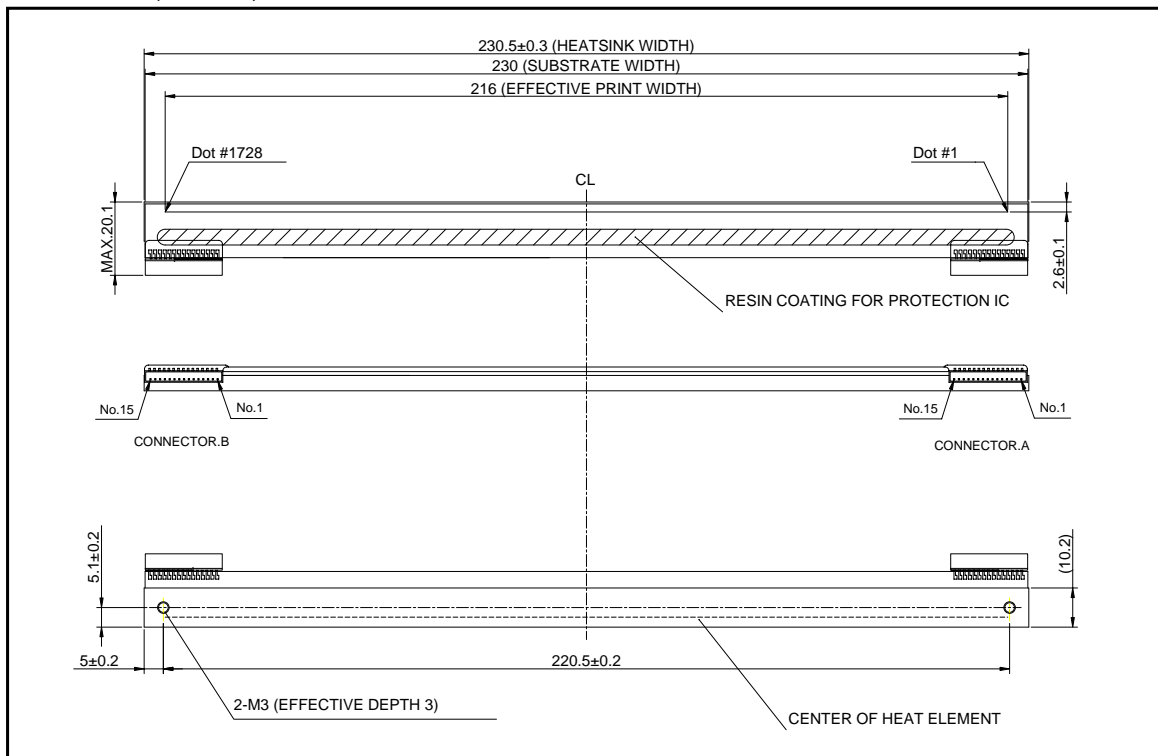
●Applications

Plain-paper printers
 Low speed ticket vendors
 Measuring terminal printers

●Features

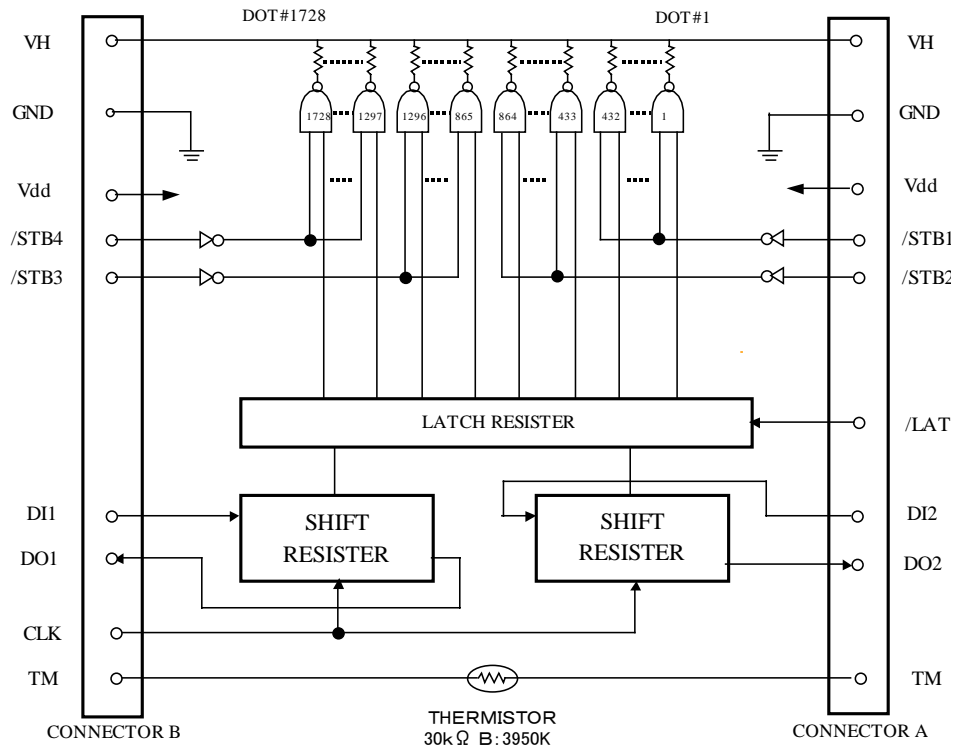
Utilizing the ideal element structure for each model (CF series: 100mm/s, CG series: 150mm/s) ensures perfect print quality and efficient energy consumption. In addition, the units feature a high-frequency clock, enabling advance control.

●Dimensions (Unit : mm)



Printheads

●Equivalent circuit



/STB : STROBE(LOW ACTIVE)
 /LAT : LATCH (LOW ACTIVE)
 CLK : CLOCK
 DI : DATA IN
 DO : DATA OUT
 TM : THERMISTOR

DI No.	Dot No.	Dots/DI
DI 1	1728 to 865	864
DI 2	864 to 1	864

STB No.	Dot No.	Dots/STB.
1	1 to 432	432
2	433 to 864	432
3	865 to 1296	432
4	1297 to 1728	432

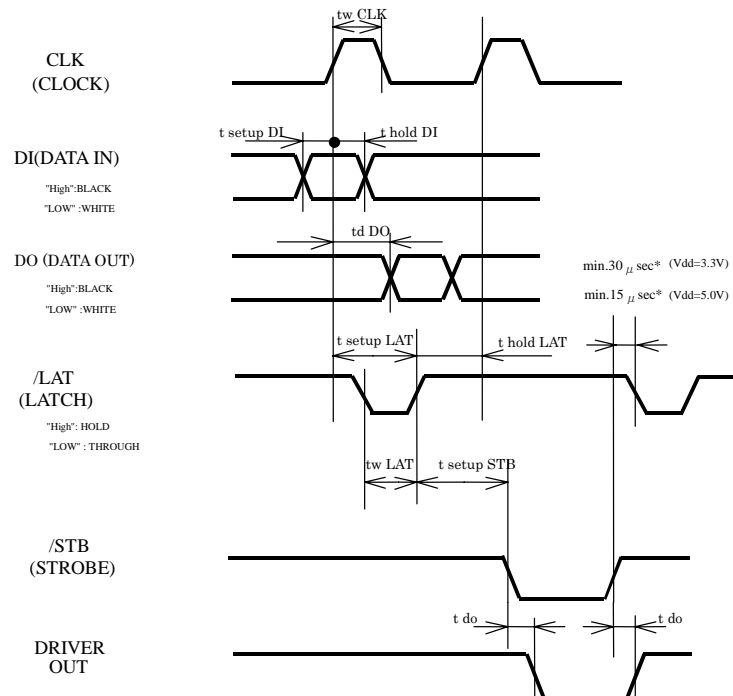
Printheads

●Pin assignments

CONNECTOR B	
No.	Circuit
1	GND
2	GND
3	GND
4	GND
5	TM
6	V _{DD}
7	/STB3
8	/STB4
9	CLK
10	DI1
11	DO1
12	VH
13	VH
14	VH
15	VH

CONNECTOR A	
No.	Circuit
1	VH
2	VH
3	VH
4	VH
5	DI2
6	DO2
7	/LAT
8	/STB1
9	/STB2
10	V _{DD}
11	TM
12	GND
13	GND
14	GND
15	GND

●Timing chart



*If delay time for Driver Out can not be secured enough, there is a possibility that VH would greatly. Please design the circuit so that VH does not exceed peak voltage

Printheads

●Characteristics

Parameter	Symbol	Typical	Unit
Effective printing width	—	216	mm
Dot pitch	—	0.125	mm
Total dot number	—	1728	dots
Average resistance value	Rave	1000	Ω
Applied voltage	V _H	24.0	V
Applied power	P _O	0.32	W / dot
Print cycle	SLT	1.25	ms
Pulse width	T _{ON}	0.50	ms
Maximum number of dots energized simultaneously	—	864	dots
Maximum clock frequency	—	16	MHz
Maximum roller diameter	—	φ20.0	mm
Running life / pulse life	—	50 / 5×10 ⁷	km / pulses
Operating temperature	—	5 to 45	°C

●Electrical characteristic curves

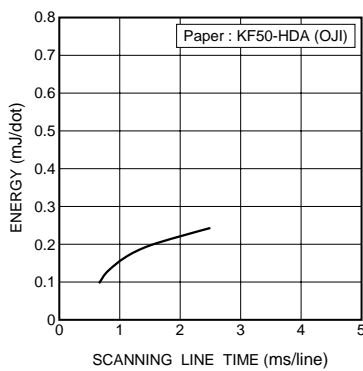


Fig.1 Adaptive speed chart

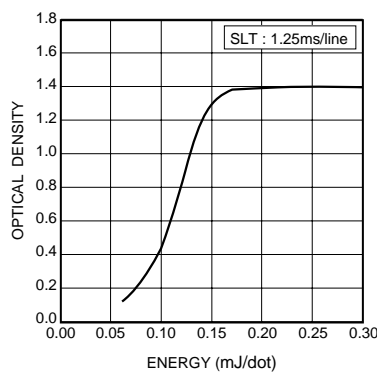


Fig.2 Representative density curve

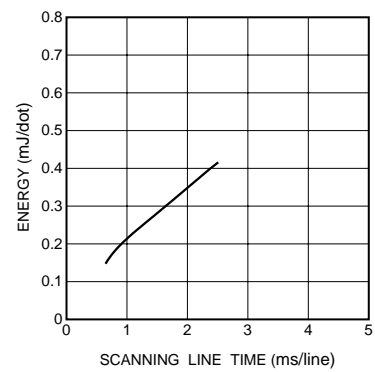


Fig.3 Maximum energy curve

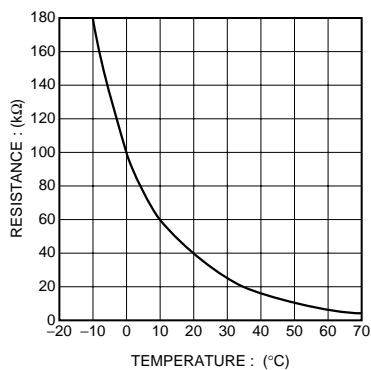


Fig.4 Thermistor curve

Notes

- No technical content pages of this document may be reproduced in any form or transmitted by any means without prior permission of ROHM CO.,LTD.
- The contents described herein are subject to change without notice. The specifications for the product described in this document are for reference only. Upon actual use, therefore, please request that specifications to be separately delivered.
- Application circuit diagrams and circuit constants contained herein are shown as examples of standard use and operation. Please pay careful attention to the peripheral conditions when designing circuits and deciding upon circuit constants in the set.
- Any data, including, but not limited to application circuit diagrams information, described herein are intended only as illustrations of such devices and not as the specifications for such devices. ROHM CO.,LTD. disclaims any warranty that any use of such devices shall be free from infringement of any third party's intellectual property rights or other proprietary rights, and further, assumes no liability of whatsoever nature in the event of any such infringement, or arising from or connected with or related to the use of such devices.
- Upon the sale of any such devices, other than for buyer's right to use such devices itself, resell or otherwise dispose of the same, no express or implied right or license to practice or commercially exploit any intellectual property rights or other proprietary rights owned or controlled by
- ROHM CO., LTD. is granted to any such buyer.
- Products listed in this document are no antiradiation design.

The products listed in this document are designed to be used with ordinary electronic equipment or devices (such as audio visual equipment, office-automation equipment, communications devices, electrical appliances and electronic toys).

Should you intend to use these products with equipment or devices which require an extremely high level of reliability and the malfunction of which would directly endanger human life (such as medical instruments, transportation equipment, aerospace machinery, nuclear-reactor controllers, fuel controllers and other safety devices), please be sure to consult with our sales representative in advance.

It is our top priority to supply products with the utmost quality and reliability. However, there is always a chance of failure due to unexpected factors. Therefore, please take into account the derating characteristics and allow for sufficient safety features, such as extra margin, anti-flammability, and fail-safe measures when designing in order to prevent possible accidents that may result in bodily harm or fire caused by component failure. ROHM cannot be held responsible for any damages arising from the use of the products under conditions out of the range of the specifications or due to non-compliance with the NOTES specified in this catalog.

Thank you for your accessing to ROHM product informations.

More detail product informations and catalogs are available, please contact your nearest sales office.

ROHM Customer Support System

THE AMERICAS / EUROPE / ASIA / JAPAN

www.rohm.com

Contact us : webmaster@rohm.co.jp