

Compact high speed thick film thermal printhead (8dots / mm)

KD2003-DG12A

KD2003-DG12A built in new and high density driver IC developed by the cutting edge technologies realizes the highest speed in the same class (250mm/s) at both Thermal Transfer and Direct Thermal.

This Thermal Printhead is suitable for POS, ATM, KIOSK and TICKET industries which require High Speed / High Density and Graphic printing.

By the implementation of highly durable protective coat, it achieves 150km as the standard abrasion life.

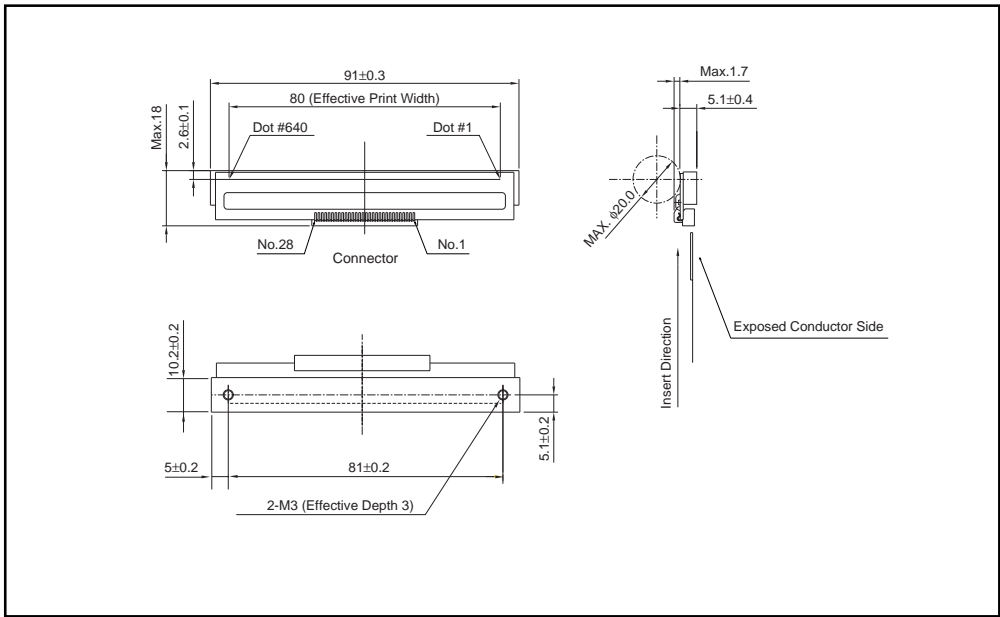
●Applications

- Label printers
- Ticket printers
- POS printers
- ATM printers
- KIOSK printers
- Terminal printers

●Features

- 1) The use of a special partial glaze and the latest heating element structure, along with new high-density driver chips that can accept big current, has allowed ROHM to achieve print speeds of 250mm/s, the fastest in its class (with historical control).
- 2) One rank resistance value of $650\Omega \pm 3\%$ eliminates the inconvenience of rank selection.
- 3) The required driving voltage of 3.13 to 5.25V allows wide range of power supply voltage setting. This also allows multiple choice of electronic components for printers.
- 4) With the standard abrasion life of 150km, long life is achieved against the largely abrasive thermal paper.

●Dimensions (Unit : mm)



Printheads

●Equivalent circuit

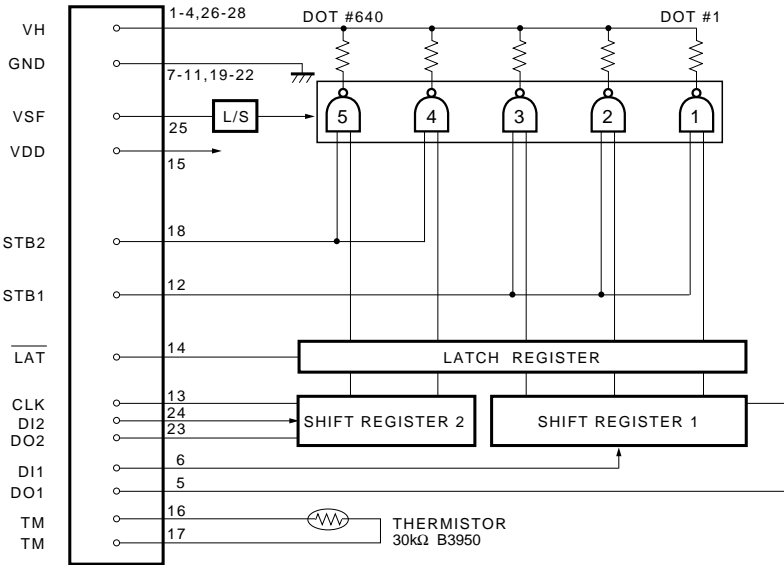


Fig.1

●Pin assignments

No.	Circuit	No.	Circuit
1	VH	15	V _{DD}
2	VH	16	TM
3	VH	17	TM
4	VH	18	STB2
5	DO1	19	GND
6	DI1	20	GND
7	GND	21	GND
8	GND	22	GND
9	GND	23	DO2
10	GND	24	DI2
11	GND	25	VSF
12	STB1	26	VH
13	CLK	27	VH
14	LAT	28	VH

Printheads

●Timing chart

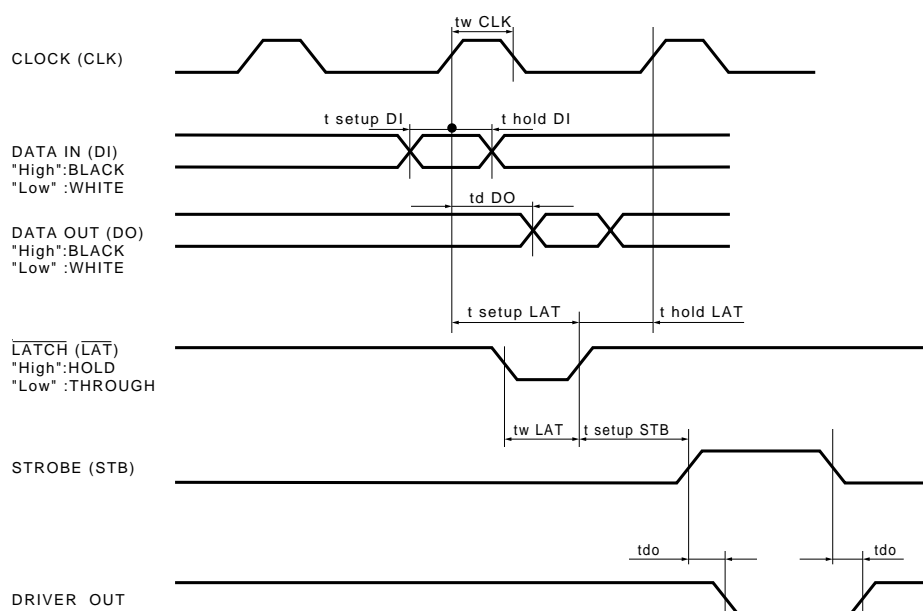


Fig.2

●Characteristics

Parameter	Symbol	Typical	Unit
Effective printing width	–	80	mm
Dot pitch	–	0.125	mm
Total dot number	–	640	dots
Average resistance value	Rave	650	Ω
Applied voltage	V_H	24	V
Applied power	P_O	0.74	W/dot
Print cycle	SLT	0.5	ms
Pulse width	T_{ON}	0.2	ms
Maximum number of dots energized simultaneously	–	640	dots
Maximum clock frequency	–	16	MHz
Maximum roller diameter	–	$\phi 20.0$	mm
Running life / pulse life	–	$150/1 \times 10^8$	km/pulses
Operating temperature	–	5 to 45	$^{\circ}\text{C}$

Printheads

●Electrical characteristic curves

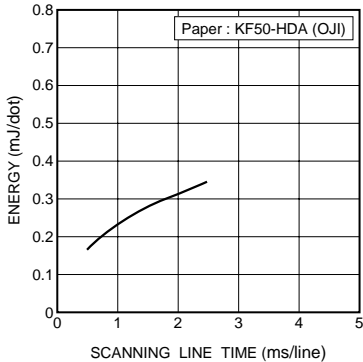


Fig.3 Adaptive speed chart

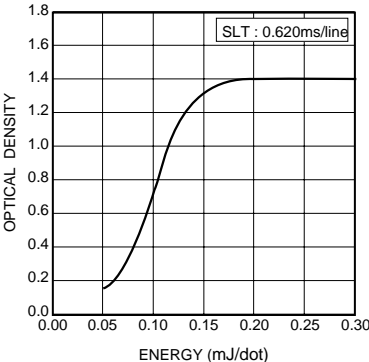


Fig.4 Representative density curve

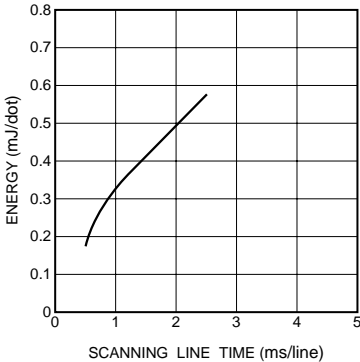


Fig.5 Maximum energy curve

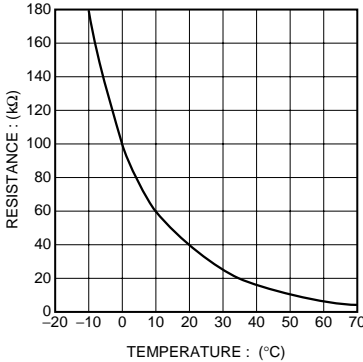


Fig.6 Thermistor curve

Notes

- No technical content pages of this document may be reproduced in any form or transmitted by any means without prior permission of ROHM CO.,LTD.
- The contents described herein are subject to change without notice. The specifications for the product described in this document are for reference only. Upon actual use, therefore, please request that specifications to be separately delivered.
- Application circuit diagrams and circuit constants contained herein are shown as examples of standard use and operation. Please pay careful attention to the peripheral conditions when designing circuits and deciding upon circuit constants in the set.
- Any data, including, but not limited to application circuit diagrams information, described herein are intended only as illustrations of such devices and not as the specifications for such devices. ROHM CO.,LTD. disclaims any warranty that any use of such devices shall be free from infringement of any third party's intellectual property rights or other proprietary rights, and further, assumes no liability of whatsoever nature in the event of any such infringement, or arising from or connected with or related to the use of such devices.
- Upon the sale of any such devices, other than for buyer's right to use such devices itself, resell or otherwise dispose of the same, no express or implied right or license to practice or commercially exploit any intellectual property rights or other proprietary rights owned or controlled by
- ROHM CO., LTD. is granted to any such buyer.
- Products listed in this document are no antiradiation design.

The products listed in this document are designed to be used with ordinary electronic equipment or devices (such as audio visual equipment, office-automation equipment, communications devices, electrical appliances and electronic toys).

Should you intend to use these products with equipment or devices which require an extremely high level of reliability and the malfunction of which would directly endanger human life (such as medical instruments, transportation equipment, aerospace machinery, nuclear-reactor controllers, fuel controllers and other safety devices), please be sure to consult with our sales representative in advance.

It is our top priority to supply products with the utmost quality and reliability. However, there is always a chance of failure due to unexpected factors. Therefore, please take into account the derating characteristics and allow for sufficient safety features, such as extra margin, anti-flammability, and fail-safe measures when designing in order to prevent possible accidents that may result in bodily harm or fire caused by component failure. ROHM cannot be held responsible for any damages arising from the use of the products under conditions out of the range of the specifications or due to non-compliance with the NOTES specified in this catalog.

Thank you for your accessing to ROHM product informations.

More detail product informations and catalogs are available, please contact your nearest sales office.

ROHM Customer Support System

THE AMERICAS / EUROPE / ASIA / JAPAN

www.rohm.com

Contact us : webmaster@rohm.co.jp