

# Add-on Structure Contact Image Sensor Heads

## LSH3008-CA50A

The Basic CIS by which the add-on can shorten the development period of a product sharply while being able to satisfy broad demand. A taper glass and tempered glass can respond as an option. As a measure against a paper jam, the custom-made correspondence of the special contact plate can be carried out.

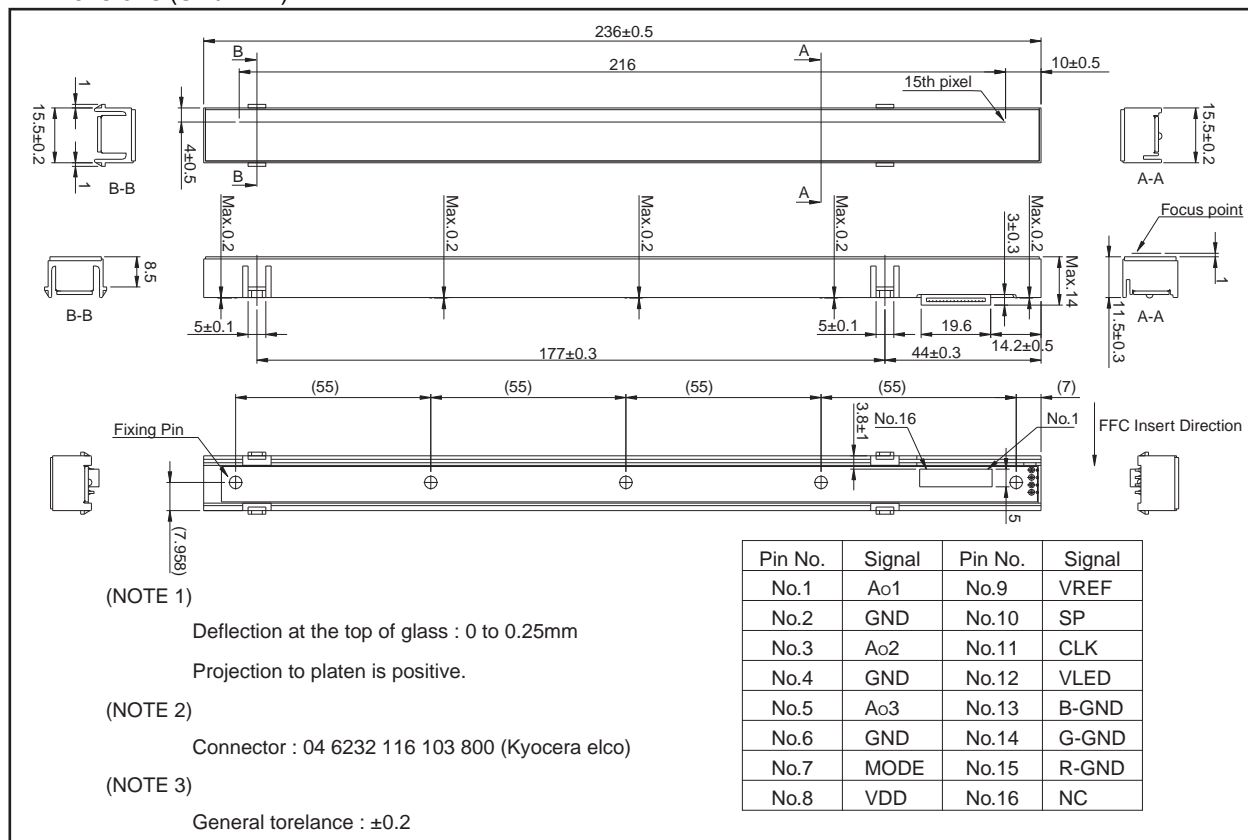
### ●Applications

Document Scanners, Bill sorters, Wide Format Scanners, and Lottery.

### ●Features

- 1) High speed reading capability due to 3 analog output.
- 2) Signal amplifier integrated into each sensor IC in order to eliminate external noise ; compatible with 3.3V interface.
- 3) LED light source mounted on the same substrate as the sensor chip itself, resulting in a more compact, lightweight package.
- 4) Proprietary prism maintains a uniform output signal.

### ●Dimensions (Unit : mm)



### ●Characteristics

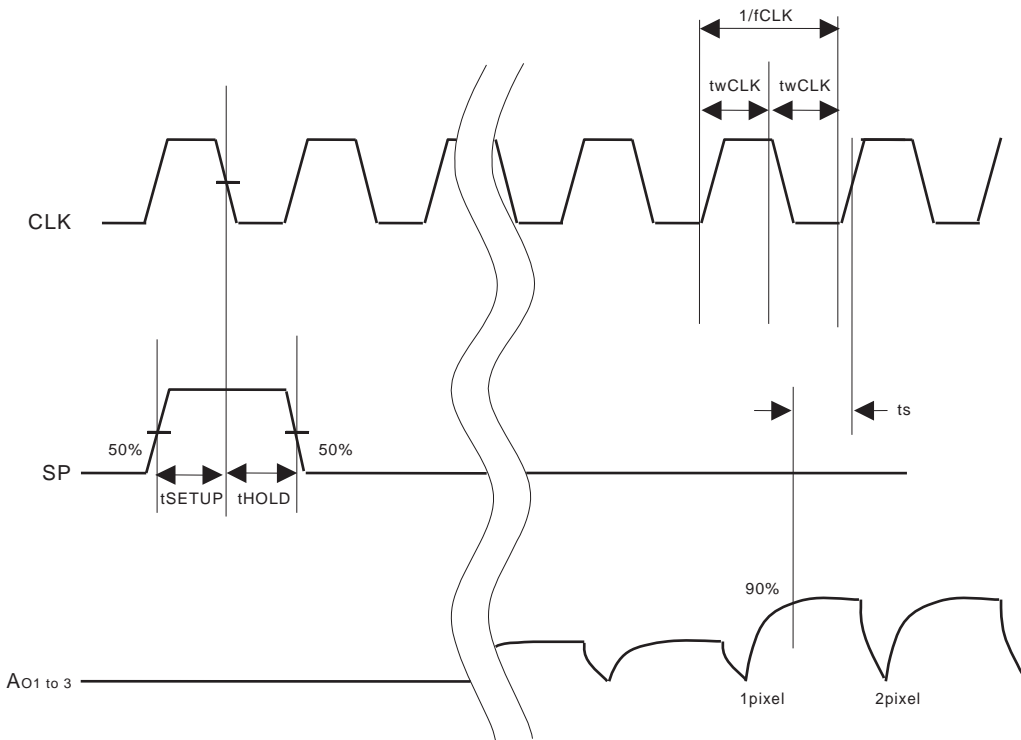
Parameter	Symbol	Typ.	Unit
Effective scanning width	–	216	mm
Primary scan dot density	–	300	dpi
Total dot number	–	2592	dots
Power supply voltage	V <sub>DD</sub>	3.3	V
Reference voltage	V <sub>REF</sub>	0.8	V
Scanning speed	SLT	0.4 x 3	ms / line
Clock frequency	CLK	8	MHz
Maximum dynamic range	VRMax	0.5	V
Minimum dynamic range	VRMin.	0.25	V
Dark output	V <sub>od</sub>	V <sub>REF</sub> ±0.1	V
Operating temperature	–	5 to 45	°C

### ●Pin assignments

No.	Circuit	I / O	Function
1	A <sub>O1</sub>	O	Analog output
2	GND	I	Ground
3	A <sub>O2</sub>	O	Analog output
4	GND	I	Ground
5	A <sub>O3</sub>	O	Analog output
6	GND	I	Ground
7	MODE	I	Mode
8	V <sub>DD</sub>	I	Power supply
9	V <sub>REF</sub>	I	Reference voltage
10	SP	I	Start pulse
11	CLK	I	Clock
12	V-LED	I	LED power supply
13	B-GND	I	B-LED ground
14	G-GND	I	G-LED ground
15	R-GND	I	R-LED ground
16	NC	–	–

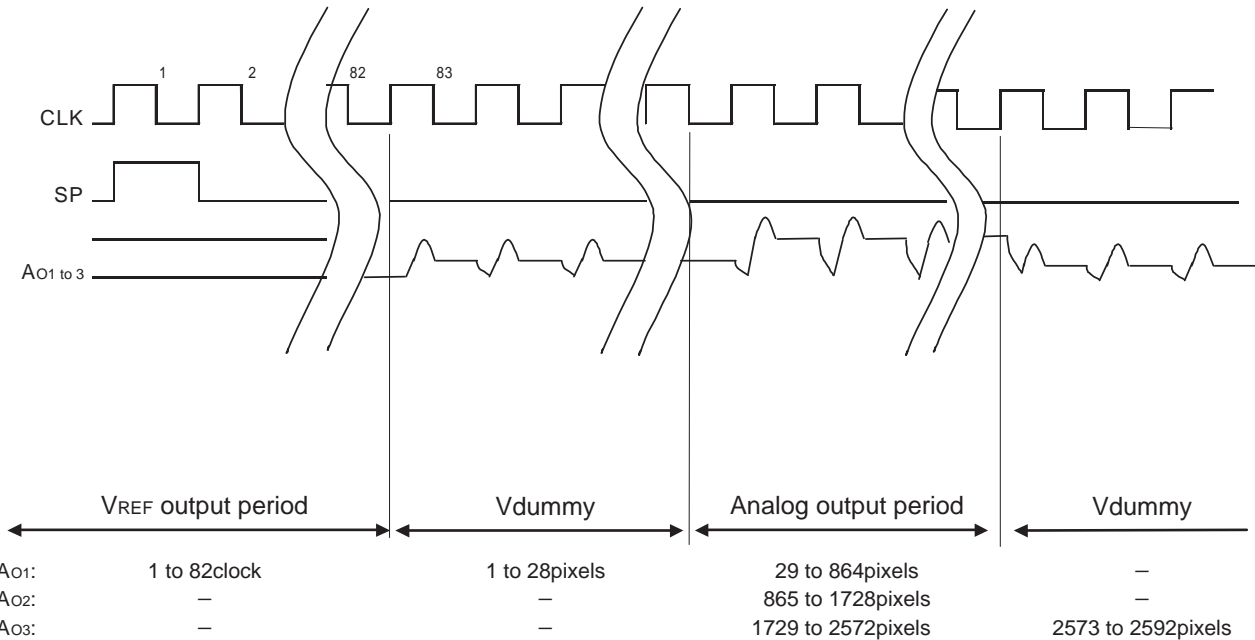
●Timing chart

(a) CLK Timing Chart



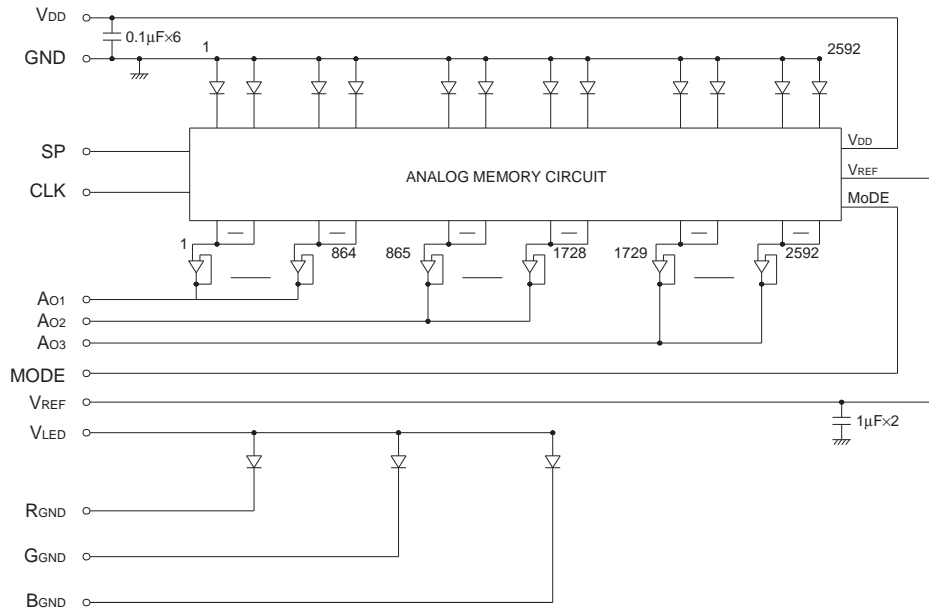
(b) Data Output Timing Chart (300dpi mode)

After turning on the SP pulse, the analog output starts from the setting up point of 82 clock pulse.

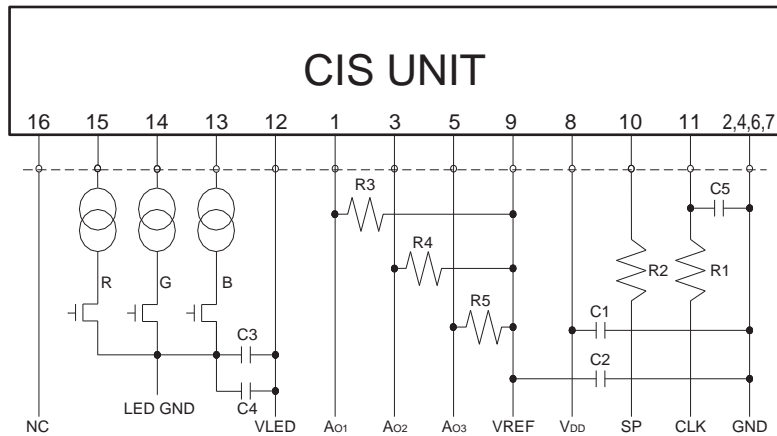


Note)The CLK section area which is over the effective pixel numbers (Output blank part) cannot be used as the analog Output standard level.

●Circuit diagram



●Peripheral circuit



\* R1=R2=10 to 100Ω, R3 to R5=100KΩ,  
 C1=C2=47µF  
 C3=100µF, C4=0.1µF, C5=100pF

Note : The above constant values are examples, and please adjust the parameters by evaluating waveforms with the device which is used

## Notes

No copying or reproduction of this document, in part or in whole, is permitted without the consent of ROHM Co.,Ltd.

The content specified herein is subject to change for improvement without notice.

The content specified herein is for the purpose of introducing ROHM's products (hereinafter "Products"). If you wish to use any such Product, please be sure to refer to the specifications, which can be obtained from ROHM upon request.

Examples of application circuits, circuit constants and any other information contained herein illustrate the standard usage and operations of the Products. The peripheral conditions must be taken into account when designing circuits for mass production.

Great care was taken in ensuring the accuracy of the information specified in this document. However, should you incur any damage arising from any inaccuracy or misprint of such information, ROHM shall bear no responsibility for such damage.

The technical information specified herein is intended only to show the typical functions of and examples of application circuits for the Products. ROHM does not grant you, explicitly or implicitly, any license to use or exercise intellectual property or other rights held by ROHM and other parties. ROHM shall bear no responsibility whatsoever for any dispute arising from the use of such technical information.

The Products specified in this document are intended to be used with general-use electronic equipment or devices (such as audio visual equipment, office-automation equipment, communication devices, electronic appliances and amusement devices).

The Products specified in this document are not designed to be radiation tolerant.

While ROHM always makes efforts to enhance the quality and reliability of its Products, a Product may fail or malfunction for a variety of reasons.

Please be sure to implement in your equipment using the Products safety measures to guard against the possibility of physical injury, fire or any other damage caused in the event of the failure of any Product, such as derating, redundancy, fire control and fail-safe designs. ROHM shall bear no responsibility whatsoever for your use of any Product outside of the prescribed scope or not in accordance with the instruction manual.

The Products are not designed or manufactured to be used with any equipment, device or system which requires an extremely high level of reliability the failure or malfunction of which may result in a direct threat to human life or create a risk of human injury (such as a medical instrument, transportation equipment, aerospace machinery, nuclear-reactor controller, fuel-controller or other safety device). ROHM shall bear no responsibility in any way for use of any of the Products for the above special purposes. If a Product is intended to be used for any such special purpose, please contact a ROHM sales representative before purchasing.

If you intend to export or ship overseas any Product or technology specified herein that may be controlled under the Foreign Exchange and the Foreign Trade Law, you will be required to obtain a license or permit under the Law.



Thank you for your accessing to ROHM product informations.  
More detail product informations and catalogs are available, please contact us.

### ROHM Customer Support System

<http://www.rohm.com/contact/>