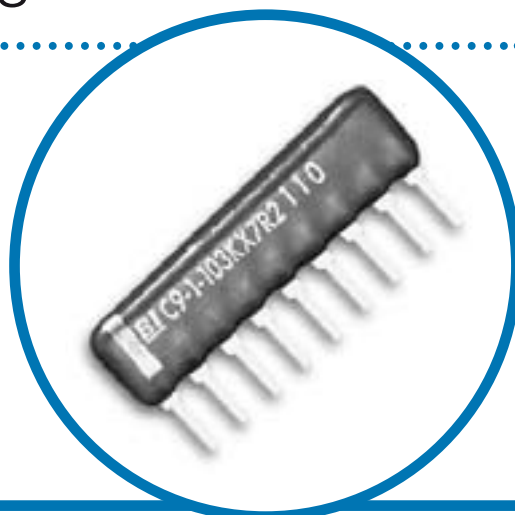


Single-In-Line Conformal Coated Capacitor Networks

C Series

- Isolated or bussed circuits
- 4 to 14 Leads



Electrical

Rated Voltage	25Vdc, 50Vdc, 100Vdc			
Capacitance Range	10pF to 1μF (Custom 2.2pF to 10pF max.)			
Tolerance	J Tol. ±5%	K Tol. ±10%	M Tol. ±20%	Z Tol. +80% to -20%
Temperature Coefficient (% of Change)	Refer to Dielectric Table			
Operating Temperature Range	CG & X7R: -55°C to +125°C Y5V: -30°C to +85°C			

Dielectric Table

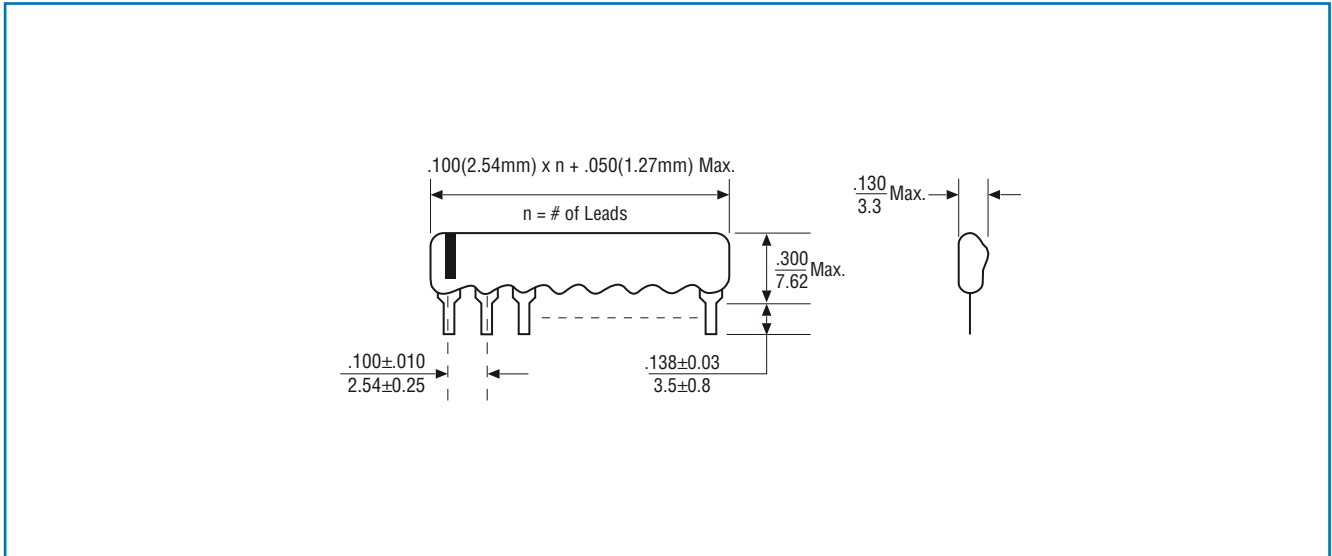
Dielectric	Characteristics	Values
X7R	±15% (-55 to +125°C)	1000pF to 1μF
Y5V	+22% to -82% (-30 to +85°C)	100nF to 1μF
CG (NPO)	±30ppm/°C	100pF to 1μF

Specifications subject to change without notice.

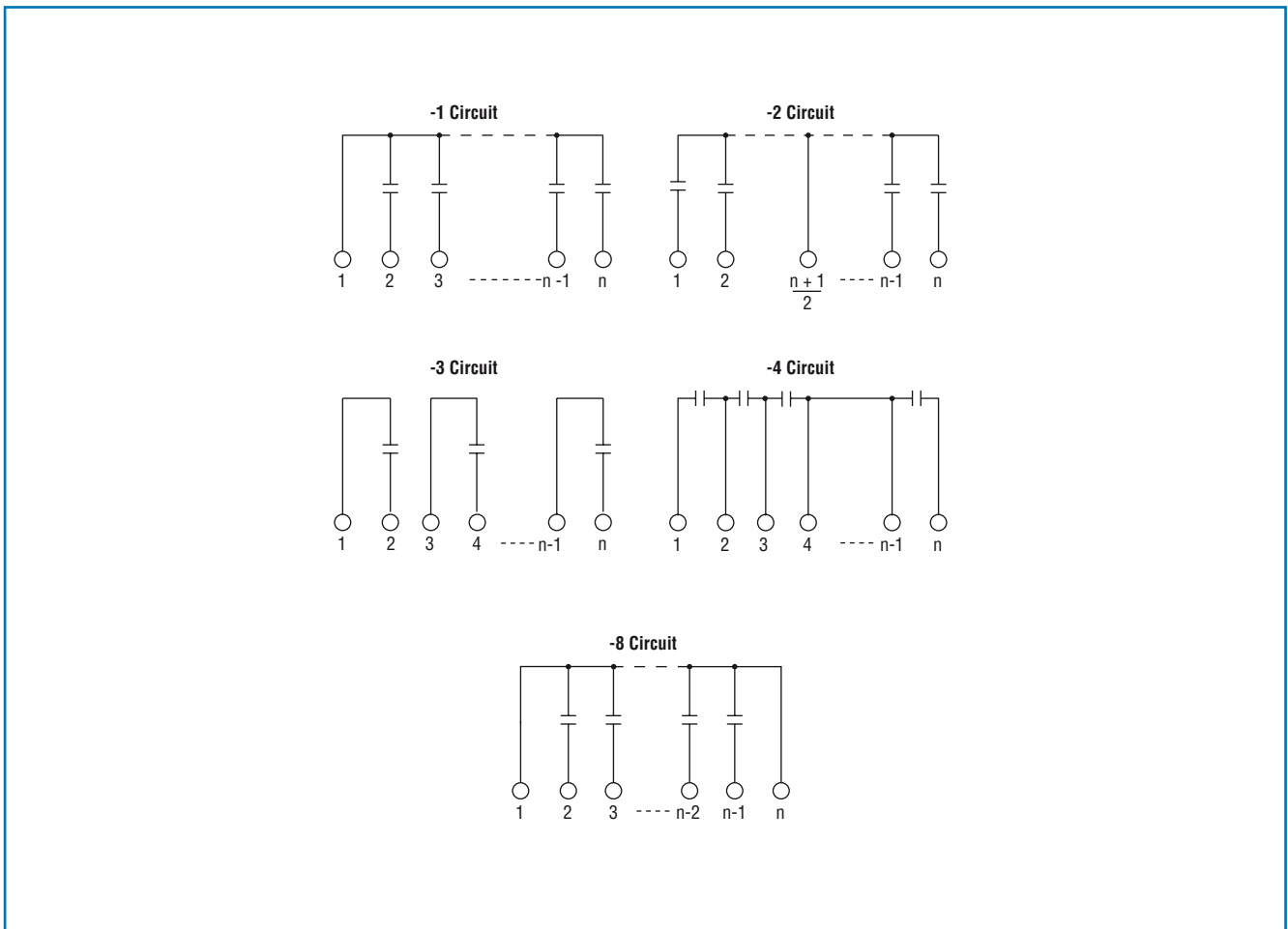
General Note

TT electronics reserves the right to make changes in product specification without notice or liability. All information is subject to TT electronics' own data and is considered accurate at time of going to print.

Outline Dimensions (Inch/mm)



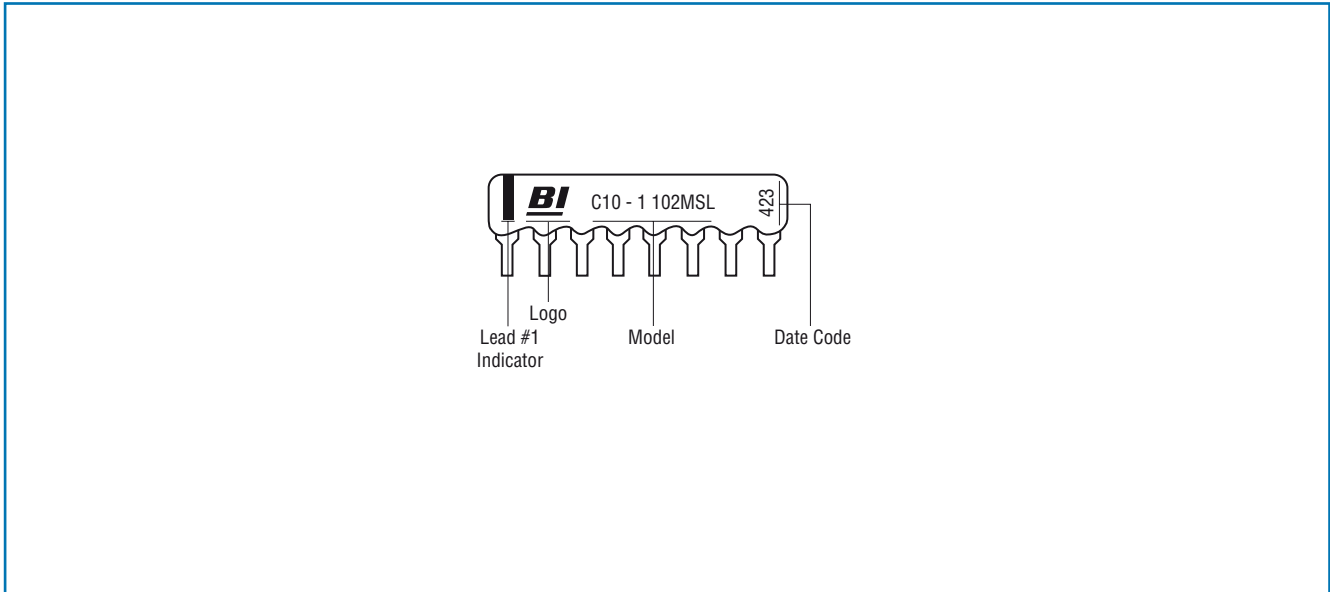
Schematics



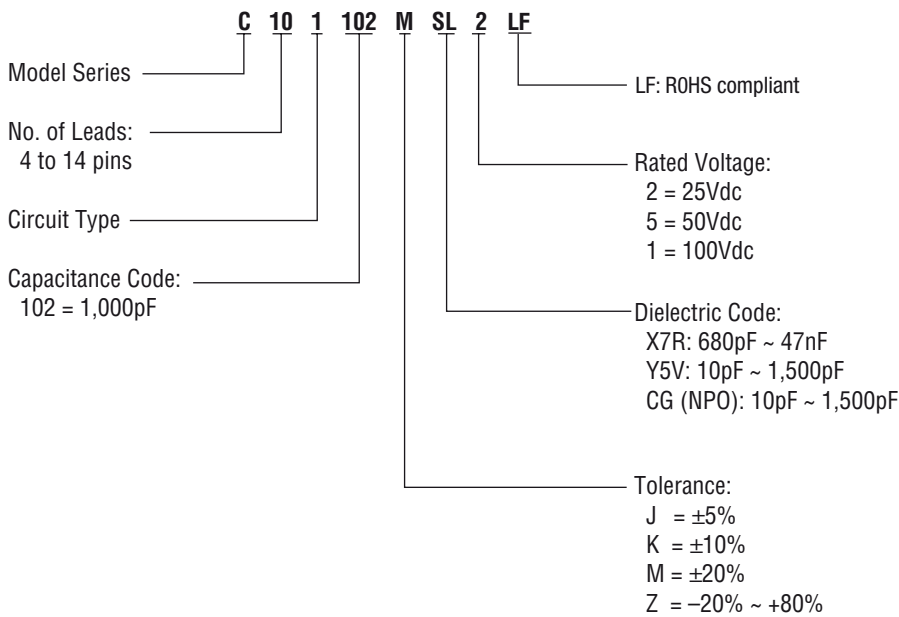
General Note

TT electronics reserves the right to make changes in product specification without notice or liability. All information is subject to TT electronics' own data and is considered accurate at time of going to print.

Typical Part Marking



Ordering Information



General Note

TT electronics reserves the right to make changes in product specification without notice or liability. All information is subject to TT electronics' own data and is considered accurate at time of going to print.