

Agilent 1181BZ Testmobile System Cart

Data Sheet

Add mobility to your instruments

The Agilent 1181BZ testmobile system cart provides convenient mobility of test equipment to make it readily available when needed and effectively extend the amount of lab bench space. Allows several operators to cost effectively share expensive equipment.

Features

- Rackmount any 19" EIA instrument up to 24" deep
- Ergonomic design, test equipment is operator-accessible whether seated or standing
- Heavy-duty casters make moving instruments easy
- Includes a steel buckle and nylon strap to secure instruments to the cart
- Attractive quartz gray color
- Tilt tray adjusts 30-plus degrees for viewing comfort

Specifications

- Material: Cold-rolled steel
- Weight: 44.5 kg (98 lbs)
- Casters: 127 mm (5 in) diameter
- Color: Quartz gray
- Tilt Tray Load Capacity: 90.7 kg (200 lbs)
- Total Load Capacity: 226.8 kg (500 lbs)
- Tilt Tray Width: 559 mm (22 in)
- Tilt Tray Depth: 660 mm (26 in)

Installation

The 1181BZ is shipped virtually assembled except for its handle. Place the handle in the rear top of the cart and secure with screws provided. Attach the nylon strap on the slots of the instrument tray and thread through buckle.

Tools required for installation:

- Torx T25 screwdriver

What you get in the box

- System cart assembly with tray and casters
- Torx T25 screwdriver
- Tubular handle
- One set of support rails
- All mounting hardware
- Nylon strap with steel buckle
- Installation instructions



What changed

- Color changed from parchment white to quartz gray

Related Products

Other testmobiles available are:

- 1180C – Agilent testmobile scope cart
- 1182B – Agilent testmobile instrument cart



Optional Accessories

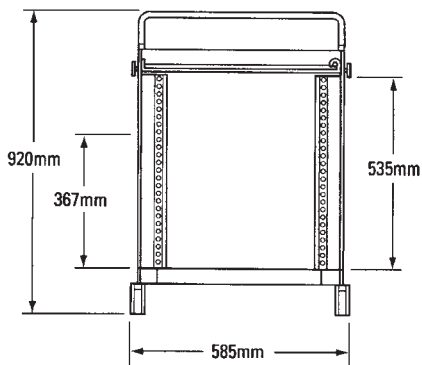
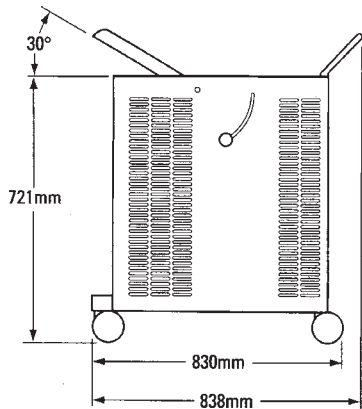
35181HZ	Printer/plotter stand
35181J	Drawer, 3.5 inch
35181KZ	Testmobile work surface
35181E	Antistatic mat for 35181K
35181M	Drawer, 5.25 inch
5181-8723	Support cover/shelf for drawers
5957-8476	Angle rails for rackmounting

Replacement Parts

1530-2228	Tie-down assembly strap
1492-0153	Caster, swivel with brake

Warranty

90 day replacement



Remove all doubt

Our repair and calibration services will get your equipment back to you, performing like new, when promised. You will get full value out of your Agilent equipment throughout its lifetime. Your equipment will be serviced by Agilent-trained technicians using the latest factory calibration procedures, automated repair diagnostics and genuine parts. You will always have the utmost confidence in your measurements. For information regarding self maintenance of this product, please contact your Agilent office.

Agilent offers a wide range of additional expert test and measurement services for your equipment, including initial start-up assistance, onsite education and training, as well as design, system integration, and project management.

For more information on repair and calibration services, go to:

www.agilent.com/find/removealldoubt

 **Agilent Email Updates**

www.agilent.com/find/emailupdates
Get the latest information on the products and applications you select.

 **Agilent Direct**

www.agilent.com/find/agilentdirect
Quickly choose and use your test equipment solutions with confidence.

For more information on Agilent Technologies' products, applications or services, please contact your local Agilent office. The complete list is available at:

www.agilent.com/find/contactus

Americas

Canada	(877) 894-4414
Latin America	305 269 7500
United States	(800) 829-4444

Asia Pacific

Australia	1 800 629 485
China	800 810 0189
Hong Kong	800 938 693
India	1 800 112 929
Japan	0120 (421) 345
Korea	080 769 0800
Malaysia	1 800 888 848
Singapore	1 800 375 8100
Taiwan	0800 047 866
Thailand	1 800 226 008

Europe & Middle East

Austria	01 36027 71571
Belgium	32 (0) 2 404 93 40
Denmark	45 70 13 15 15
Finland	358 (0) 10 855 2100
France	0825 010 700*
	*0.125 €/minute
Germany	07031 464 6333
Ireland	1890 924 204
Israel	972-3-9288-504/544
Italy	39 02 92 60 8484
Netherlands	31 (0) 20 547 2111
Spain	34 (91) 631 3300
Sweden	0200-88 22 55
Switzerland	0800 80 53 53
United Kingdom	44 (0) 118 9276201

Other European Countries:

www.agilent.com/find/contactus

Revised: February 25, 2009

Product specifications and descriptions in this document subject to change without notice.

© Agilent Technologies, Inc. 2009
Printed in U.S.A. March 18, 2009
5988-2772EN