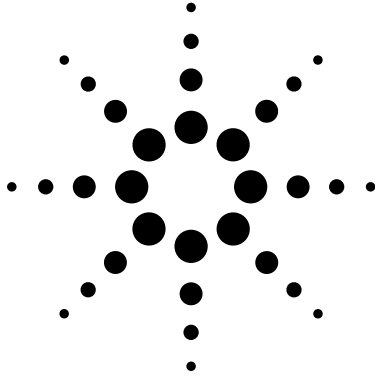


Agilent 84941A Distribution Board

Data Sheet

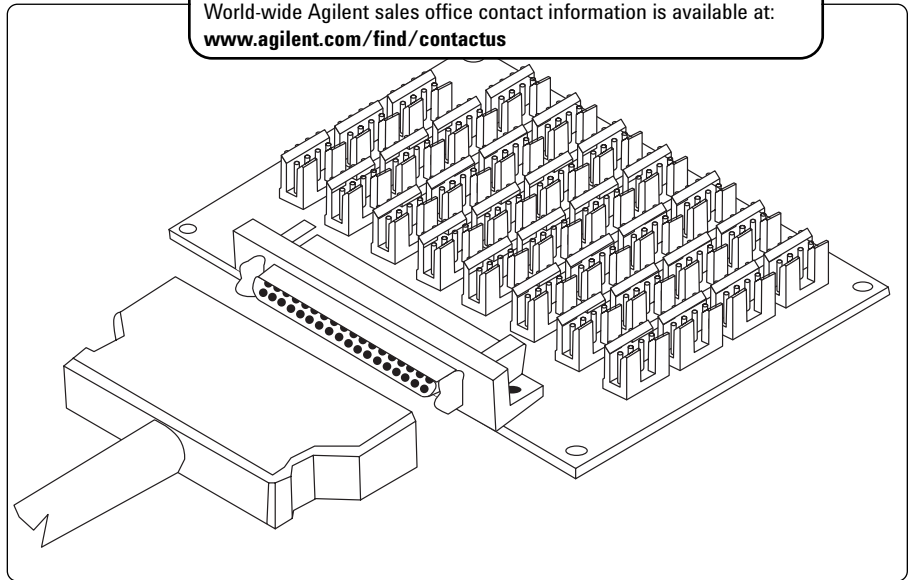


Discontinued Product Information — For Support Reference Only —

Information herein, may refer to products/services no longer supported. We regret any inconvenience caused by obsolete information. For the latest information on Agilent's test and measurement products go to: www.agilent.com/find/products

In the US, call Agilent Technologies at 1-800-829-4444
(any weekday between 8am–5pm in any U.S. time zone)

World-wide Agilent sales office contact information is available at: www.agilent.com/find/contactus



SCSI cable with the 84941A distribution board.

The Agilent 84941A signal distribution board is designed to simplify connections between the Agilent 87130A or the 70611A (Option 001) attenuator and switch driver and the devices to be driven. The 84941A consist of one SCSI PC board connector, and 31 four-pin connectors. The 84941A is used to bring the connections from the internal driver board in the 87130A to the outside for ease of connection to the driven devices. It is not used with external driver boards, Agilent model 84940A.

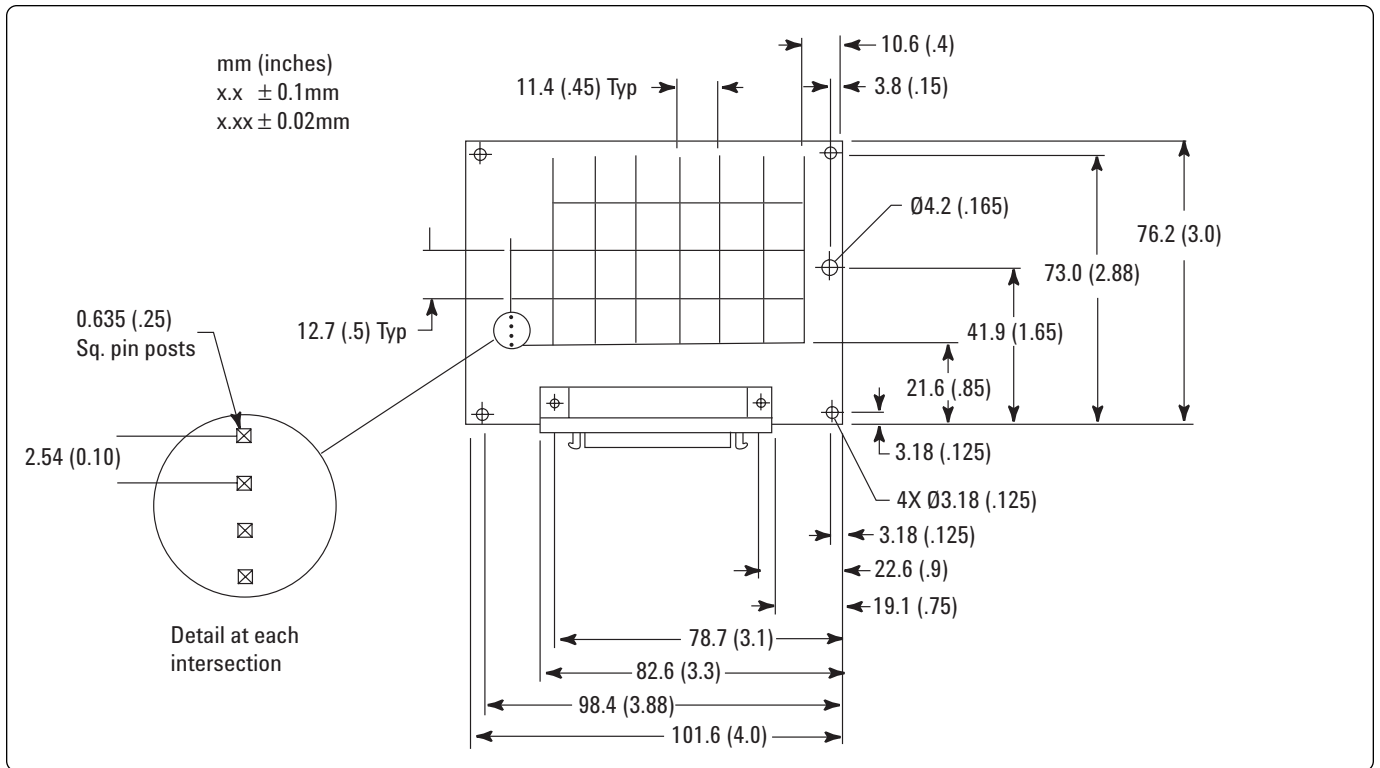
A 68 pin SCSI connector on the back panel of the 87130A or 70611A Option 001 is used to drive external switches or attenuators. This connector is labeled DRIVER OUTPUT and is connected to J32 on the 84941A board through a 68 pin to 68 pin SCSI cable, part number 70611-60004 that is supplied with the 87130A.

The output connectors on the 84941A are labeled J1 through J31. J1 corresponds with Channel 100 in the 87130A; J2 connects to Channel 101, etc. Therefore, J31 is equivalent to Channel 130. Each of the 31 output connectors on the distribution board provide a connection to the common positive voltage (+24Vdc), the OPEN and CLOSE signals, and common ground. The OPEN and CLOSE signals sink positive current to ground for a pulse duration defined by 87130A programming.

The 84941A includes a pack of 31, 3 wire cables that are terminated on one end with a 4 pin, Berg connector. The other end is bare, tinned wire designed to connect to the device solder terminals. These cables are labeled "Ch-1" through "Ch-31" to connect to connectors J1 though J31. The connectors (J1-J31) correspond to the driver's channels (100-130). (These cables may be deleted if not needed by ordering Special Option 84941A K03.)



Agilent Technologies



84941A Distribution board dimensions.

www.agilent.com

For more information on Agilent Technologies' products, applications or services, please contact your local Agilent office.

Phone or Fax

United States:

(tel) 800 829 4444
 (fax) 800 829 4433

Canada:

(tel) 877 894 4414
 (fax) 800 746 4866

China:

(tel) 800 810 0189
 (fax) 800 820 2816

Europe:

(tel) 31 20 547 2111

Japan:

(tel) (81) 426 56 7832
 (fax) (81) 426 56 7840

Korea:

(tel) (080) 769 0800
 (fax) (080) 769 0900

Latin America:

(tel) (305) 269 7500

Taiwan:

(tel) 0800 047 866
 (fax) 0800 286 331

Other Asia Pacific Countries:

(tel) (65) 6375 8100
 (fax) (65) 6755 0042

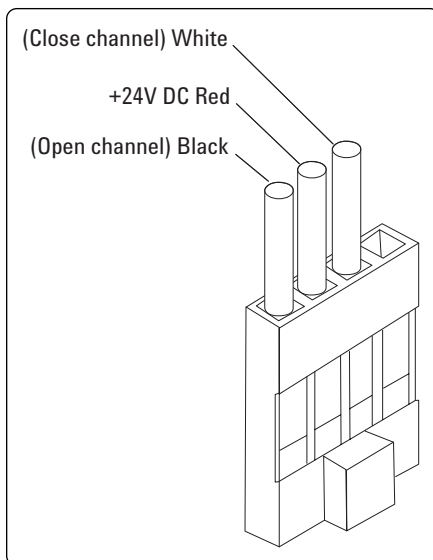
Email: tm_ap@agilent.com

Contacts revised: 09/26/05

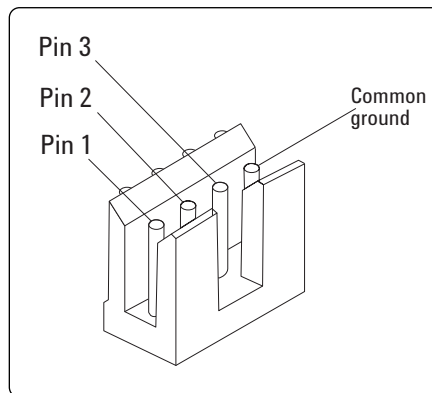
The complete list is available at:
www.agilent.com/find/contactus

Product specifications and descriptions in this document subject to change without notice.

© Agilent Technologies, Inc. 2001, 2006
 Printed in USA, July 13, 2006
 5988-3824EN



Berg connector.



SIL connector on the 84941A distribution board