

# Agilent 35182C Shelf and Storage Drawer, 3.5"

## Data Sheet

### Conveniently store miscellaneous items

Agilent shelf and storage drawer provides storage space for miscellaneous items such as tools, manuals, probes or cables with additional capacity to place instruments on the shelf.

### Features

- Provides an 89 mm (3.5 in) storage space in the drawer
- Supports up to 34 kg (75 lbs) on the shelf
- Attractive quartz gray color
- All mounting hardware included

### Specifications

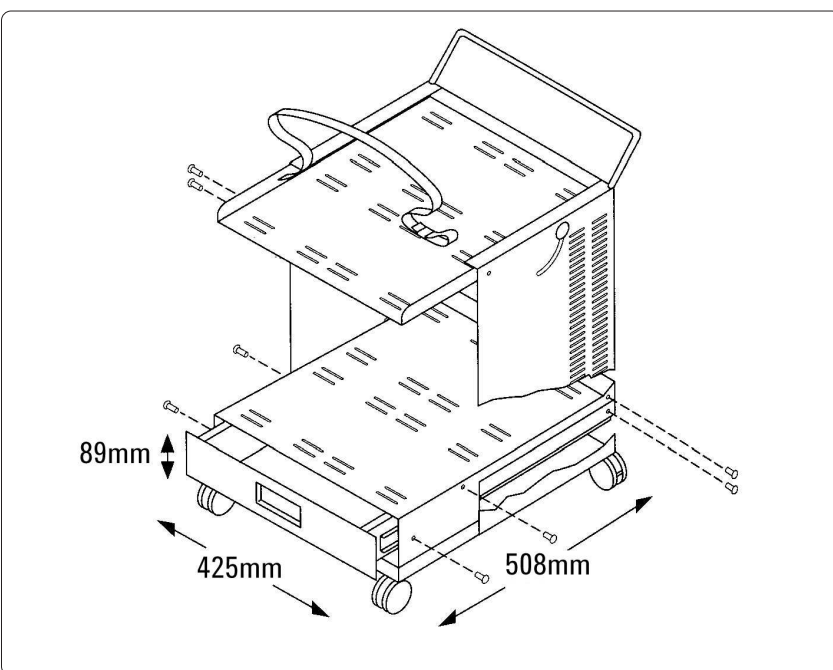
- Material: Cold-rolled steel
- Weight: 8.16 kg (18 lbs)
- Color: Quartz gray
- Length: 508 mm (20 in)
- Depth: 89 mm (3.5 in)
- Width: 425 mm (16.73 in)

### Installation

Attach clip nuts at the desired location on the columns and secure slides with screws.

Tools required for installation:

- Phillips screwdriver



### What you get in the box

- Drawer with slides attached
- Shelf
- All mounting hardware
- Installation instructions

### What changed

Replaces: 35182A

- Color changed from parchment white to quartz gray

### Related Products

- 35182D – Shelf and storage drawer, 5.25 inch

### Compatibility

The 35182C can be used with:

- 1182B – Agilent testmobile instrument cart

### Warranty

Three year replacement



Agilent Technologies

### **Agilent Technologies' Test and Measurement Support, Services, and Assistance**

Agilent Technologies aims to maximize the value you receive, while minimizing your risk and problems. We strive to ensure that you get the test and measurement capabilities you paid for and obtain the support you need. Our extensive support resources and services can help you choose the right Agilent products for your applications and apply them successfully. Every instrument and system we sell has a global warranty. Support is available for at least five years beyond the production life of the product. Two concepts underlie Agilent's overall support policy: "Our Promise" and "Your Advantage."

#### **Our Promise**

Our Promise means your Agilent test and measurement equipment will meet its advertised performance and functionality. When you are choosing new equipment, we will help you with product information, including realistic performance specifications and practical recommendations from experienced test engineers. When you use Agilent equipment, we can verify that it works properly, help with product operation, and provide basic measurement assistance for the use of specified capabilities, at no extra cost upon request. Many self-help tools are available.

#### **Your Advantage**

Your Advantage means that Agilent offers a wide range of additional expert test and measurement services, which you can purchase according to your unique technical and business needs. Solve problems efficiently and gain a competitive edge by contracting with us for calibration, extra-cost upgrades, out-of-warranty repairs, and on-site education and training, as well as design, system integration, project management, and other professional engineering services. Experienced Agilent engineers and technicians worldwide can help you maximize your productivity, optimize the return on investment of your Agilent instruments and systems, and obtain dependable measurement accuracy for the life of those products.

Refer to the Enclosures website for additional product information:

<http://enclosures.agilent.com>

For the latest information on Agilent's dc electronic loads, visit our web site at: [www.agilent.com/find/loads](http://www.agilent.com/find/loads)

By internet, phone, or fax, get assistance with all your test & measurement needs

Online assistance:  
[www.agilent.com/find/assist](http://www.agilent.com/find/assist)

#### **Phone or Fax**

##### **United States:**

(tel) 1 800 452 4844

##### **Canada:**

(tel) 1 877 894 4414

(fax) (905) 282-6495

##### **China:**

(tel) 800-810-0189

(fax) 1-0800-650-0121

##### **Europe:**

(tel) (31 20) 547 2323

(fax) (31 20) 547 2390

##### **Japan:**

(tel) (81) 426 56 7832

(fax) (81) 426 56 7840

##### **Korea:**

(tel) (82-2) 2004-5004

(fax) (82-2) 2004-5115

##### **Latin America:**

(tel) (305) 269 7500

(fax) (305) 269 7599

##### **Taiwan:**

(tel) 080-004-7866

(fax) (886-2) 2545-6723

##### **Other Asia Pacific Countries:**

(tel) (65) 375-8100

(fax) (65) 836-0252

Email: [tm\\_asia@agilent.com](mailto:tm_asia@agilent.com)

Product specifications and descriptions in this document subject to change without notice.

© Agilent Technologies, Inc. 2001  
Printed in USA December 16, 2001  
5988-4711EN



**Agilent Technologies**