

Agilent 35181K Testmobile Worksurface

Data Sheet

Provide additional work space on an Agilent testmobile cart

The Agilent testmobile worksurface attaches to the testmobile tilt tray to provide additional work and writing space.

Features

- Provides a 533 mm (21 in) long by 305 mm (12 in) deep work surface
- Attractive quartz gray color
- All mounting hardware included

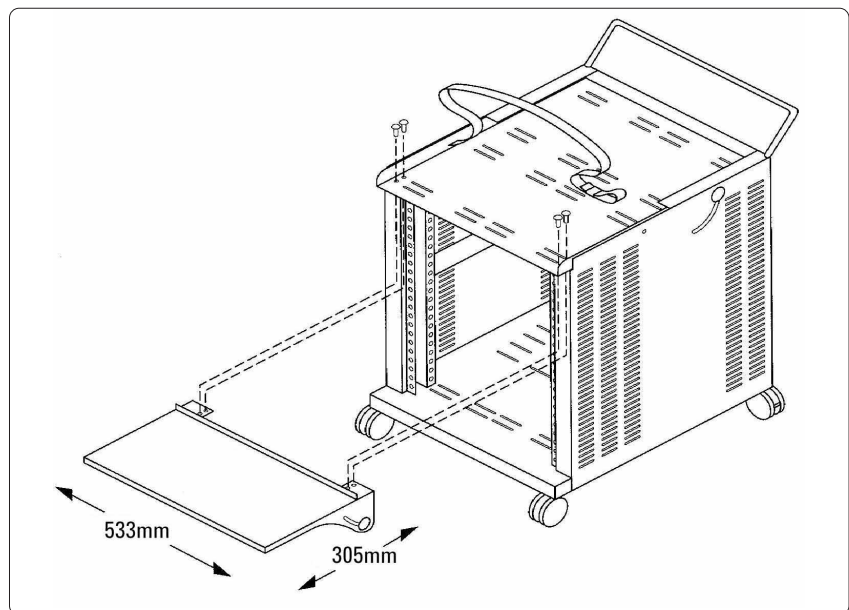
Specifications

- Material: Cold-rolled steel
- Weight: 4.99 kg (11 lbs)
- Color: Quartz gray
- Length: 533 mm (21 in)
- Width: 305 mm (12 in)

Installation

For installation on the 1182B, use the inner set of mounting holes to attach the worksurface to the cart. Secure with mounting screws.

For installation on the 1181B, use the outer set of mounting holes to attach the worksurface to the cart. Secure with mounting screws.



Tools required for installation:

- Torx T15 screwdriver

What you get in the box

- Worksurface
- Torx T15 screwdriver
- Mounting hardware
- Installation instructions

What changed

Replaces: 35181D

- Color changed from parchment white to quartz gray

Compatibility

The 35181K can be used with:

- 1181B – Agilent testmobile system cart
- 1182B – Agilent testmobile instrument cart

Warranty

Three year replacement



Agilent Technologies

Agilent Technologies' Test and Measurement Support, Services, and Assistance

Agilent Technologies aims to maximize the value you receive, while minimizing your risk and problems. We strive to ensure that you get the test and measurement capabilities you paid for and obtain the support you need. Our extensive support resources and services can help you choose the right Agilent products for your applications and apply them successfully. Every instrument and system we sell has a global warranty. Support is available for at least five years beyond the production life of the product. Two concepts underlie Agilent's overall support policy: "Our Promise" and "Your Advantage."

Our Promise

Our Promise means your Agilent test and measurement equipment will meet its advertised performance and functionality. When you are choosing new equipment, we will help you with product information, including realistic performance specifications and practical recommendations from experienced test engineers. When you use Agilent equipment, we can verify that it works properly, help with product operation, and provide basic measurement assistance for the use of specified capabilities, at no extra cost upon request. Many self-help tools are available.

Your Advantage

Your Advantage means that Agilent offers a wide range of additional expert test and measurement services, which you can purchase according to your unique technical and business needs. Solve problems efficiently and gain a competitive edge by contracting with us for calibration, extra-cost upgrades, out-of-warranty repairs, and on-site education and training, as well as design, system integration, project management, and other professional engineering services. Experienced Agilent engineers and technicians worldwide can help you maximize your productivity, optimize the return on investment of your Agilent instruments and systems, and obtain dependable measurement accuracy for the life of those products.

Refer to the Enclosures website for additional product information:

<http://enclosures.agilent.com>

For the latest information on Agilent's dc electronic loads, visit our web site at: www.agilent.com/find/loads

By internet, phone, or fax, get assistance with all your test & measurement needs

Online assistance:
www.agilent.com/find/assist

Phone or Fax

United States:

(tel) 1 800 452 4844

Canada:

(tel) 1 877 894 4414

(fax) (905) 282-6495

China:

(tel) 800-810-0189

(fax) 1-0800-650-0121

Europe:

(tel) (31 20) 547 2323

(fax) (31 20) 547 2390

Japan:

(tel) (81) 426 56 7832

(fax) (81) 426 56 7840

Korea:

(tel) (82-2) 2004-5004

(fax) (82-2) 2004-5115

Latin America:

(tel) (305) 269 7500

(fax) (305) 269 7599

Taiwan:

(tel) 080-004-7866

(fax) (886-2) 2545-6723

Other Asia Pacific Countries:

(tel) (65) 375-8100

(fax) (65) 836-0252

Email: tm_asia@agilent.com

Product specifications and descriptions in this document subject to change without notice.

© Agilent Technologies, Inc. 2001
Printed in USA December 16, 2001
5988-4710EN



Agilent Technologies